

AN EMPLOYEE-OWNED COMPANY

ENERGY PANEL STRUCTURES
102 EAST INDUSTRIAL PARK
GRAETTINGER, IA 51342
PHONE: 712/859-3219
FAX: 712/859-3275
WWW.EPSBUILDINGS.COM

SHEET DRAWING INDEX

Table listing sheet numbers and titles: S0 TITLE SHEET, S1.11 FIRST LEVEL WALL LAYOUT, S1.20 SECOND LEVEL FLOOR FRAMING, S1.21 SECOND LEVEL WALL LAYOUT, S1.50 ROOF FRAMING PLAN, S2.0 BUILDING SECTIONS, S2.1 BUILDING SECTIONS, S3.0 BUILDING DETAILS, S4.10 PANEL ELEVATIONS, S4.11 PANEL ELEVATIONS, S4.12 PANEL ELEVATIONS, S4.20 STEEL LAYOUTS, S9.0 CONSTRUCTION DETAILS, S9.1 CONSTRUCTION DETAILS, S9.2 CONSTRUCTION DETAILS, B1 TRUSS INSTALLATION, B2 TRUSS INSTALLATION, B3 TRUSS INSTALLATION, B7 TRUSS INSTALLATION, B10 TRUSS INSTALLATION



PROJECT NUMBER: 2024/SC/IA91160
CUSTOMER SERVICE: STEVEN D.
DRAWN BY: BRENT W.
REVIEWED BY: DAVE M.

DATE: 3/7/2024
REVISIONS: 6/6/2024
-
-
Print Date: 6/06/2024

SEE RED JOBSITE PACKET FOR THE FOLLOWING ADDITIONAL MATERIAL USE GUIDELINES TO ENSURE PROPER INSTALLATION OF THESE ITEMS WHEN APPLICABLE:
- BLOCK-IT/TYPAR HOUSE WRAP
- ACRYLIC THREADED ROD ANCHORAGE
- PLYCO WALKDOORS
- SILVERLINE WINDOWS
- GERKIN WINDOWS

THE ATTACHED DRAWING SET REPRESENTS A STRUCTURAL FRAMING PLAN SET. FOR ALL OTHER PRODUCTS THAT ARE ATTACHED IN OR OUTSIDE OF THE STRUCTURAL FRAMING, SEE MANUFACTURER'S WEBSITES FOR COMPLETE INSTALLATION INSTRUCTIONS IF NOT PROVIDED. EXAMPLE ITEMS WOULD INCLUDE, BUT NOT LIMITED TO: WINDOWS, WALK DOORS, SIDING AND SHINGLES.

DEALER: JAMES FOWLER CONTRACTING
PROJECT TITLE: WILLIAMS ELECTRIC OFFICE & RENTAL PROPERTY
SOLID CORE/LADDER FRAME BUILDING PACKAGE

DESIGN LOADS
CODE BODY: IBC 2021
GROUND SNOW LOAD: 20 PSF
RISK CATEGORY: II
Ct: 1.1 (OFFICE)
1.2 (RENTAL PROPERTY)
Ce: 1.0
Is: 1.0
Cs: 0.87 (OFFICE)
0.94 (RENTAL PROPERTY)
ROOF LIVE LOAD: 20 PSF (MINIMUM)
ROOF DEAD LOAD: 5 PSF
CEILING LIVE LOAD: 0 PSF
CEILING DEAD LOAD: 5 PSF
Vult: 115 mph
Vasd: 89 mph
EXPOSURE: C
kf: 0.94
MEZZANINE LIVE LOAD: 125 PSF
MEZZANINE DEAD LOAD: 10 PSF

Table with 4 columns: Building Component, Color, Material, Finish. Rows include ROOF METAL, GABLES, SIDES, WAINSCOT, SOFFIT, RIDGE CAP, CUPOLA ROOF, CUPOLA SIDES, PORCH HEADER, PORCH CEILING.

GENERAL INFORMATION
DEALER: JAMES FOWLER CONTRACTING
3430 YELLOW DOG ROAD
LONEDELL, MO 63060
PHONE: --
OWNER: WILLIAMS ELECTRIC OFFICE & RENTAL PROPERTY
128 TIMBERVIEW
UNION, MO 63084
BUILDING TYPE: SOLID CORE/LADDER FRAME
BUILDING DIMENSIONS: 60' x 180' x 18' 5-3/4"
BUILDING USAGE: COMMERCIAL
AREA: 10,800 SQ. FT.

SITework: THE SITE SHALL BE GRADED TO PROVIDE DRAINAGE AWAY FROM THE BUILDING. SLOPE AWAY FROM WALL 1/2" PER FOOT MIN. 6" FROM WALL.
CONCRETE WORK: THE CONCRETE WORK SHALL CONSIST OF ALL NECESSARY POUR-IN-PLACE CONCRETE FOOTINGS (OR FOUNDATION) AS PER BUILDING PLANS DESIGNED BY OTHERS. THE CONCRETE SHALL MEET A MINIMUM COMPRESSIVE STRENGTH OF 3,500 PSI AT 28 DAYS. ALL CONCRETE SHALL BE DESIGNED IN ACCORDANCE WITH THE AMERICAN CONCRETE INSTITUTE BUILDING CODE REQUIREMENTS FOR STRUCTURAL CONCRETE (ACI 318-14) AND COMMENTARY (ACI 318R-14).
WOOD FRAMING: ALL WOOD CONSTRUCTION SHALL BE IN CONFORMANCE WITH THE PROVISIONS OF THE 2021 EDITION OF THE NATIONAL DESIGN SPECIFICATION FOR WOOD CONSTRUCTION. UNLESS NOTED OTHERWISE ALL FRAMING LUMBER SHALL BE SPF#2 GRADE.
TRUSSES: WOOD TRUSSES ARE SHOP/PLANT FABRICATED WITH CONNECTOR PLATES PER SPECIFICATIONS. DESIGN CRITERIA ESTABLISHED BY THE TRUSS PLATE INSTITUTE - (ANSI/TPI 1-2014). REFER TO THE BCSI(BUILDING COMPONENT SAFETY INFORMATION) MANUAL FOR WOOD TRUSS TEMPORARY BRACING REQUIREMENTS.
METAL CONNECTORS: ALL METAL CONNECTORS ARE OF GALVANIZED STEEL AND DESIGN APPROVED TO MEET OR EXCEED REQUIRED STANDARDS.
ROOFING AND SIDING MATERIAL: THE METAL ROOF AND WALLS SHALL BE EPS FULL FORMED PANEL. THE RIBBED DESIGN HAS 3/2" HIGH PRIMARY RIBS 9" O.C. FOR BEAM STRENGTH AND 2 INTERMEDIATE LOW RIBS 3" O.C. FOR ADDITIONAL STIFFENING. THE EPS ROLL FORM PANEL IS MANUFACTURED TO ASTM SPECS. WI AN 80,000 PSI MIN. YIELD POINT AND AN 82,000 PSI MINIMUM TENSILE STRENGTH. A FOUR-LAYER COLOR-CLAD PROCESS INCLUDES MIN AZ-50 GALVALUME COATING, BONDERIZED COATING, BAKED ON PRIMER COATING, AND A SILICONIZED MODIFIED POLYESTER BAKED-ON PAINT FINISH.
FASTENERS: ALL ROOF AND WALL METAL SHEATHING SHALL BE FASTENED TO THE BUILDING STRUCTURE W/ TRUE-GRIP SCREWS W/ MILL POINT AND HEX HEAD. THE SCREWS SHALL HAVE A EPDM RUBBER WASHER TO ENSURE WEATHER TIGHTNESS.
SHORING AND BRACING: CONTRACTOR SHALL BE RESPONSIBLE FOR ALL TEMPORARY SHORING AND BRACING.

* THIS SET OF PLANS ARE INTENDED TO BE USED BY CONTRACTORS WITH BUILDING CONSTRUCTION KNOWLEDGE.
* ENERGY PANEL STRUCTURES CAN NOT BE HELD RESPONSIBLE FOR MISUSE OR MISINTERPRETATION OF INFORMATION INCLUDED IN THESE DRAWINGS, OR THE USE OF THIS SET OF PLANS BY PEOPLE WITHOUT BUILDING CONSTRUCTION KNOWLEDGE.
* RESPONSIBILITY OF THIS SET OF PLANS IS LIMITED TO THE BUILDING DESIGN SHOWN ON THE DRAWINGS. BUILDING DESIGN IS BASED ON NUMBER, SIZE AND LOCATION OF OPENINGS SHOWN ON THE DRAWINGS. NO RESPONSIBILITY IS ASSUMED FOR ADDITIONAL OPENINGS NOT SHOWN ON THE DRAWINGS OR CHANGES IN THE SIZES OR LOCATION OF OPENINGS.
* ALL DOOR AND WINDOW OPENINGS SHOWN ON THIS SET OF PLANS ARE THE ACTUAL SIZE OF THE OPENING PROVIDED. IT IS THE GENERAL CONTRACTOR/OWNER'S RESPONSIBILITY TO VERIFY ALL LOCATIONS AND SIZES OF OPENINGS PRIOR TO CONSTRUCTION.
* IMPORTANT!! THIS BUILDING IS DESIGNED USING THE ROOF AS A DIAPHRAGM(DEEP THIN BEAM) TO TRANSFER SIDEWALL AND ROOF WIND LOADS TO THE ENDWALL SHEAR WALLS SHOWN. STEEL PANELS ARE AN INTEGRAL PART OF THE BUILDING STRUCTURE AND ANY FUTURE FIELD MODIFICATIONS MADE MAY BE DETRIMENTAL TO THE BUILDING'S STRUCTURAL PERFORMANCE.
* THIS IS A STRUCTURAL FRAMING DRAWING AND IS TO BE USED FOR THAT PURPOSE ONLY. CODES REGARDING FIRE SAFETY, INTERIOR FINISHES, PERSONAL SAFETY & INJURY ARE NOT ADDRESSED IN THIS DRAWING AND ARE THE RESPONSIBILITY OF THE OWNER.
* THE ATTIC OF THIS STRUCTURE MUST BE PROPERLY VENTILATED. CONSULT AN HVAC ENGINEER FOR PROPER SIZING OF EAIVE INLETS, RIDGE OPENINGS, ENDWALL LOUVERS, OR MECHANICAL SYSTEMS. FAILURE TO PROPERLY VENTILATE THE ATTIC MAY CAUSE PARTITION TO SEPARATE AT ROOF/CEILING, CONDENSATION ON ROOF MATERIALS, LARGER AIR CONDITIONING LOAD, MOLD OR MILDEW, CORROSION OF TRUSS PLATES, PREMATURE DEGRADATION OF STRUCTURAL BUILDING COMPONENTS.
* SIP PANEL WALL CONSTRUCTION BUILDINGS ARE DESIGNED FOR MINIMAL AIR INFILTRATION. IT IS RECOMMENDED THAT GENERAL CONTRACTOR/OWNER WORKS IN CONJUNCTION WITH AN HVAC PROFESSIONAL TO DESIGN A SYSTEM TO INSURE AIR QUALITY AND MOISTURE CONTROL. AIR TO AIR EXCHANGERS ARE RECOMMENDED IN SUCH TYPE STRUCTURES.
* THE CEILING SYSTEM PROVIDED HAS NOT BEEN DESIGNED FOR HUMAN TRAFFIC. CONTRACTORS - IT IS YOUR RESPONSIBILITY TO WARN OTHER TRADES.
* EPS WALLS ARE NOT DESIGNED FOR LATERAL LOADS IMPOSED BY CONCRETE FOUNDATION WALLS. CONCRETE WALLS TO BE DESIGNED TO ABSORB ALL LOADS IMPOSED BY EPS STRUCTURE AND 100% OF ALL MATERIAL/BACKFILL(ETC) (IF ANY) STORED AGAINST THEM. CONCRETE WALL TO IMPOSE NO HORIZONTAL LOAD TO EPS STRUCTURE.
* ALL PANELS SHALL BE STORED IN A PROTECTED AREA AND SUPPORTED EVERY 4' TO PREVENT DEFORMATION AND CONTACT WITH THE GROUND. DO NOT USE BLACK OR DARK COLORED TARP. AFTER INSTALLATION, ALL PANELS SHALL BE COVERED TO PREVENT CONTACT WITH WATER ON ALL EXPOSED PANEL EDGES.

* IMPORTANT!! IF METAL IS NOT TO BE USED IMMEDIATELY, STORE IN A DRY AREA. MOISTURE FROM RAIN OR CONDENSATION TRAPPED BETWEEN SHEETS MAY CAUSE "WATER STAINS". IF MATERIAL MUST BE STORED OUTSIDE, PROTECT WITH CANVAS OR WATERPROOF PAPER. IF PLASTIC IS USED, DO NOT COVER AIR TIGHT. SHOULD PANELS BECOME WET, SEPARATE THEM BY PUTTING DIVIDERS BETWEEN EACH SHEET AND ELEVATE ONE END 8" OR STAND SHEETS ON END AGAINST A WALL AND FAN THEM OUT TO ALLOW AIR CIRCULATION. AVOID STORING NEAR ALKALINE METALS SUCH AS FERTILIZER, CEMENT, LIME, SALT, ETC. THESE INSTRUCTIONS APPLY TO ALUMINUM OR STEEL WHETHER PAINTED OR UNPAINTED.
* TO MINIMIZE THE POSSIBILITY OF FASTENER POPPING AND CRACKING IN AREAS ADJACENT TO A WALL AND CEILING INTERSECTION, A FLOATING GYPSUM CORNER ANGLE METHOD OF APPLICATION SHOULD BE USED. PLEASE REFER TO THE GYPSUM ASSOCIATION'S SPECIFICATIONS FOR THE APPLICATION AND FINISHING OF GYPSUM PANEL PRODUCTS.
* THERE MAY BE SOME "BOHING" OF EXTERIOR STRUCTURAL INSULATED PANELS DUE TO A TEMPERATURE AND MOISTURE DIFFERENTIAL BETWEEN INTERIOR AND EXTERIOR OSB SKINS. WHEN THE EXTERIOR SKIN EXPERIENCES COLD TEMPERATURE, ITS MOISTURE CONTENT RISES, WHICH CAUSES THE EXTERIOR SKIN TO EXPAND. THIS MAY CAUSE THE PANEL TO BOW OUT. TO MINIMIZE THE EFFECT, YOU MAY WANT TO CONSIDER:
A.) HIDE THE "BOW" BY USING FLOATING CORNERS ON THE INTERIOR GYPSUM BOARD.
B.) MECHANICALLY FASTENING ONE STRUCTURAL INSULATED PANEL TO THE CROSS WALLS, THE CROSS WALL WILL HAVE TO BE DESIGNED TO RESIST FORCES OF THE BOW, AS WILL THE MECHANICAL FASTENERS.
* PORTIONS OF THE INTERIOR OF THIS STRUCTURE IS SEPARATED FROM THE FOAM PLASTIC INSULATION WITH A MINIMUM 3/2" THICK MATERIAL, TESTED PER ASTM METHOD E119-98 FIRE TESTS OF BUILDING CONSTRUCTION AND MATERIALS FOR A MINIMUM 15 MINUTE THERMAL BARRIER REQUIRED
* INTERIOR SIP PANELS FINISH MUST BE COVERED WITH A MINIMUM OF 1/2" GYPSUM WALLBOARD OR EQUIVALENT TO PROVIDE AN ADEQUATE THERMAL BARRIER
NOTE: WHEN APPLYING ICE & WATER OR "PEEL & SEAL" FOLLOW THE FOLLOWING INSTRUCTIONS TO PREVENT AIR INFILTRATION
1. BE SURE TEMPERATURE OF MATERIALS AND AMBIENT TEMPERATURE ARE BOTH ABOVE 50° F.
2. THOROUGHLY CLEAN SURFACES.
3. APPLY ACETONE(BY OTHERS) TO METAL SURFACE TO CLEAN.
4. ALLOW ACETONE TO FLASH OFF.
5. APPLY "PEEL & SEAL" OR ICE & WATER. BE SURE TO APPLY PRESSURE THROUGH OUT MATERIAL TO ENSURE 100% CONTACT.

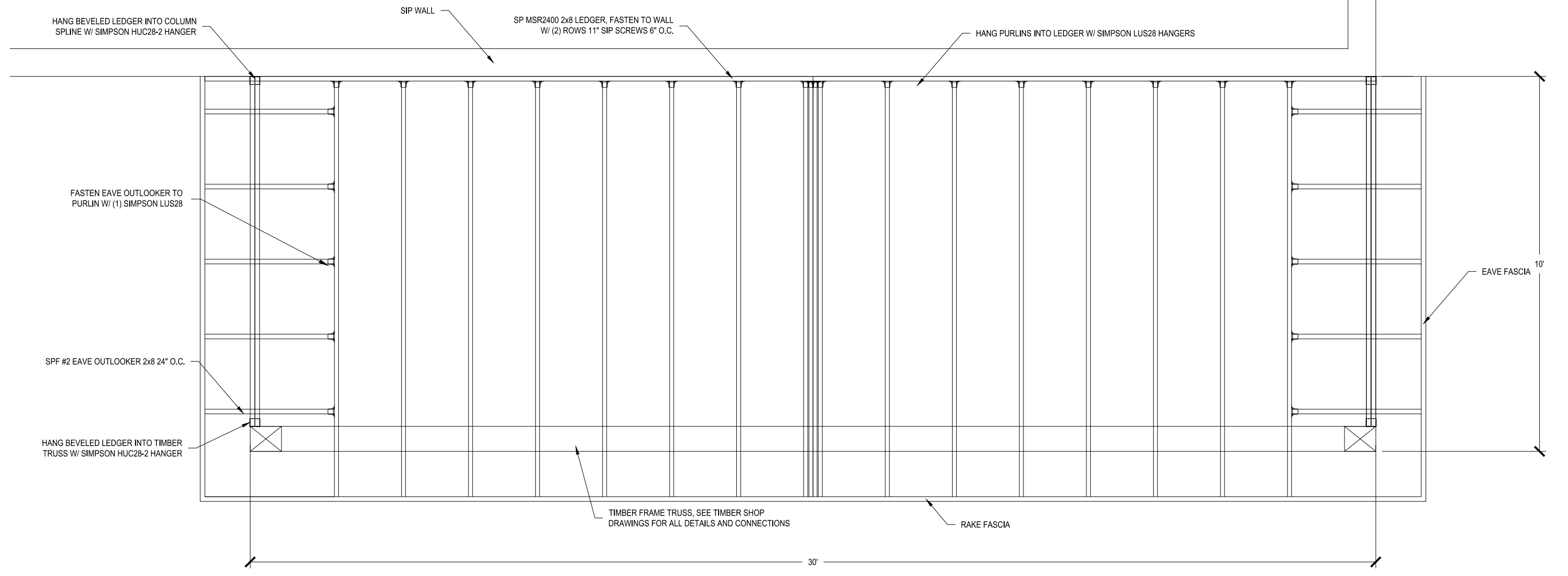
THESE CONTRACT DOCUMENTS/DRAWINGS ARE THE PROPERTY OF ENERGY PANEL STRUCTURES AND ARE INTENDED FOR THE EXPRESS USE FOR CONSTRUCTION OF THIS PROJECT BY AN ENERGY PANEL STRUCTURES' AUTHORIZED INDEPENDENT DEALER. THESE DOCUMENTS SHALL NOT BE USED FOR ANY OTHER CONSTRUCTION PROJECT, OR BY ANY OTHER ENTITY WITHOUT THE EXPRESS WRITTEN CONSENT OF ENERGY PANEL STRUCTURES. IN THE EVENT THAT ANY OF THE DESIGN DRAWINGS OR SPECIFICATIONS ARE REUSED OR MODIFIED WITHOUT THE EXPRESS WRITTEN AUTHORIZATION OF ENERGY PANEL STRUCTURES, THEN ENERGY PANEL STRUCTURES WILL NOT BE LIABLE FOR SUCH REUSE OR MODIFICATION, AND IT WILL BE SUBJECT OF THE PERSON OR ENTITY TO CLAIM FOR A COPYRIGHT INFRINGEMENT, COSTS, DAMAGES, AND ATTORNEY FEES.

SHEET TITLE: TITLE SHEET
PROJECT STATUS: FINAL DRAWINGS
SHEET: S0

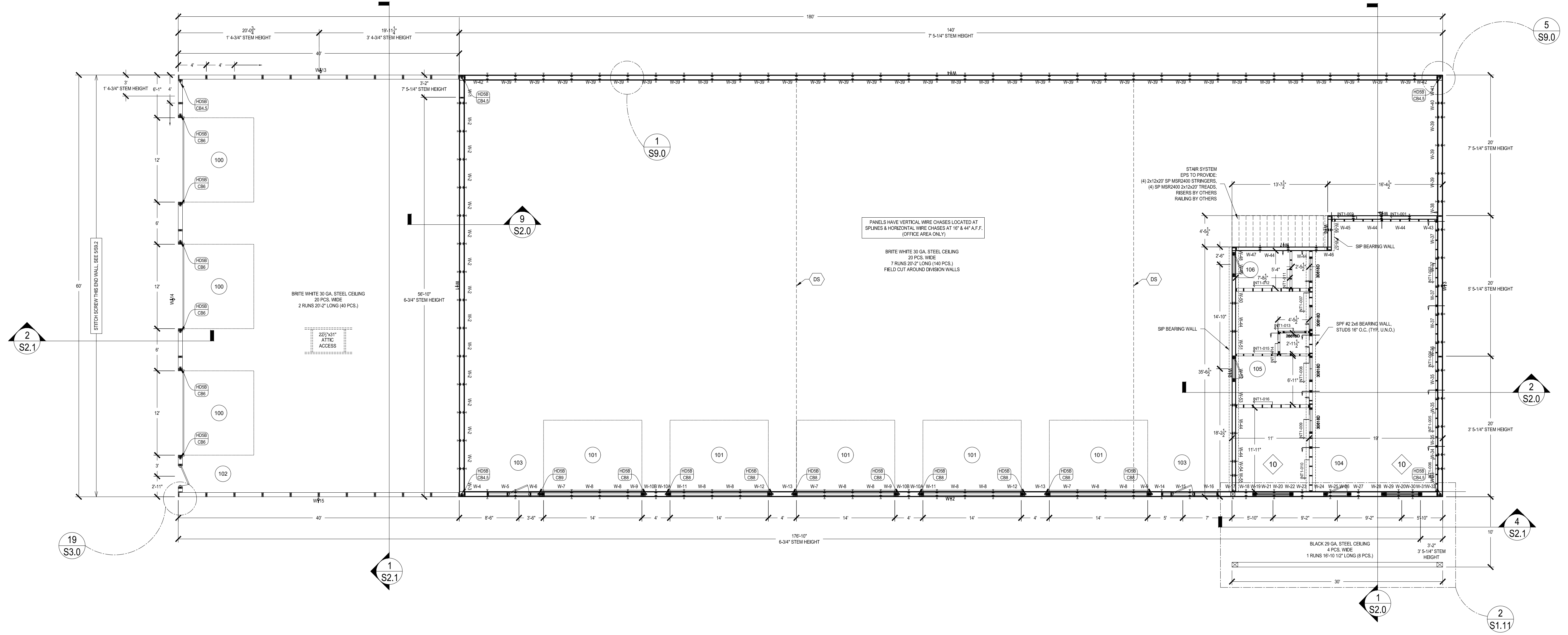
SEAL WALL HOLD-DOWNS

HDH	SIMPSON HDH BASE ANCHOR FASTEN TO STUDS WITH (2) 1/2" BOLTS FASTEN TO CONCRETE WITH EPOXY IN PLACE W/ SIMPSON AT-1015.
DS	DRAFT STOP IN ATTIC. SHEATH W/ 3/4" OSB. SPECIAL TRUSS SUPPLIED W/ VERTICAL WALLERS 4" O.C. SEE DETAIL 1108.1
HDH	SIMPSON HDH BASE ANCHOR FASTEN TO STUDS WITH (2) 1/2" BOLTS FASTEN TO CONCRETE WITH EPOXY IN PLACE W/ SIMPSON AT-1015.
HDH	SIMPSON HDH BASE ANCHOR FASTEN TO STUDS WITH (2) 1/2" BOLTS FASTEN TO CONCRETE WITH EPOXY IN PLACE W/ SIMPSON AT-1015.
CB	NOTE: LOWER NOTE DENOTES BOLT TYPE & LENGTH CB - CARRIAGE BOLT; MB - MACHINE BOLT

DS DRAFT STOP IN ATTIC. SHEATH W/ 3/4" OSB. SPECIAL TRUSS SUPPLIED W/ VERTICAL WALLERS 4" O.C. SEE DETAIL 1108.1



2 PORCH LAYOUT
SCALE: 3/8" = 1'-0"



1 PLAN VIEW
SCALE: 1/8" = 1'-0"

DOOR OPENING/HEADER SCHEDULE

Remarks	Number	Quantity	Rough Width	Rough Height	Head Height	Header	Bearing Studs (Each Side)	Full Studs (Each Side)	Head Detail	Jamb Detail
OVERHEAD DOOR BY OTHERS	100	3	12'-0"	14'-0"	14'-0"	(2) PLY 2x12 SYP MSR2400 BOX	1	2	13/S3.0	8/S3.0
OVERHEAD DOOR BY OTHERS	101	5	14'-0"	14'-0"	14'-0"	(2) PLY 1-3/4" x 18" LVL BOX	2	2	12/S3.0	5/S3.0
BY OTHERS	102	1	3'-0"	6'-11"	6'-11"	2X8 FLAT	-	2	-	1/S3.0
BY OTHERS	103	2	3'-2"	6'-11"	6'-11"	(2) PLY 2x10 SYP MSR2400	1	1	9/S3.0	SIM 2/S3.0
BY OTHERS	104	1	3'-2"	6'-11"	6'-11"	(2) PLY 2x10 SYP MSR2400 BOX	2	1	10/S3.0	2/S3.0
BY OTHERS	105	1	3'-2"	6'-11"	6'-11"	(2) PLY 2x6 SYP MSR2400	1	1	11/S3.0	3/S3.0
BY OTHERS	106	1	3'-0"	6'-11"	6'-11"	(2) PLY 2x6 SYP MSR2400	1	1	11/S3.0	3/S3.0

WINDOW SCHEDULE

Remarks	Number	Quantity	Rough Width	Rough Height	Head Height	Header	Bearing Studs (Each Side)	Full Studs (Each Side)	Head Detail	Jamb Detail
BY OTHERS	10	2	5'-0 3/4"	5'-0 3/4"	6'-9"	(2) PLY 2x10 SYP MSR2400 BOX	2	1	10/S3.0	4/S3.0



PROJECT NUMBER:
2024/SC/IA91160

CUSTOMER SERVICE:
STEVEN D.

DRAWN BY:
BRENT W.

REVIEWED BY:
DAVE M.

DATE:
3/7/2024

REVISIONS:
6/6/2024

Print Date: 6/06/2024

DEALER:
JAMES FOWLER CONTRACTING

PROJECT TITLE:
WILLIAMS ELECTRIC OFFICE & RENTAL PROPERTY SOLID CORE/LADDER FRAME BUILDING PACKAGE

SHEET TITLE:
FIRST LEVEL WALL LAYOUT

PROJECT STATUS:
FINAL DRAWINGS

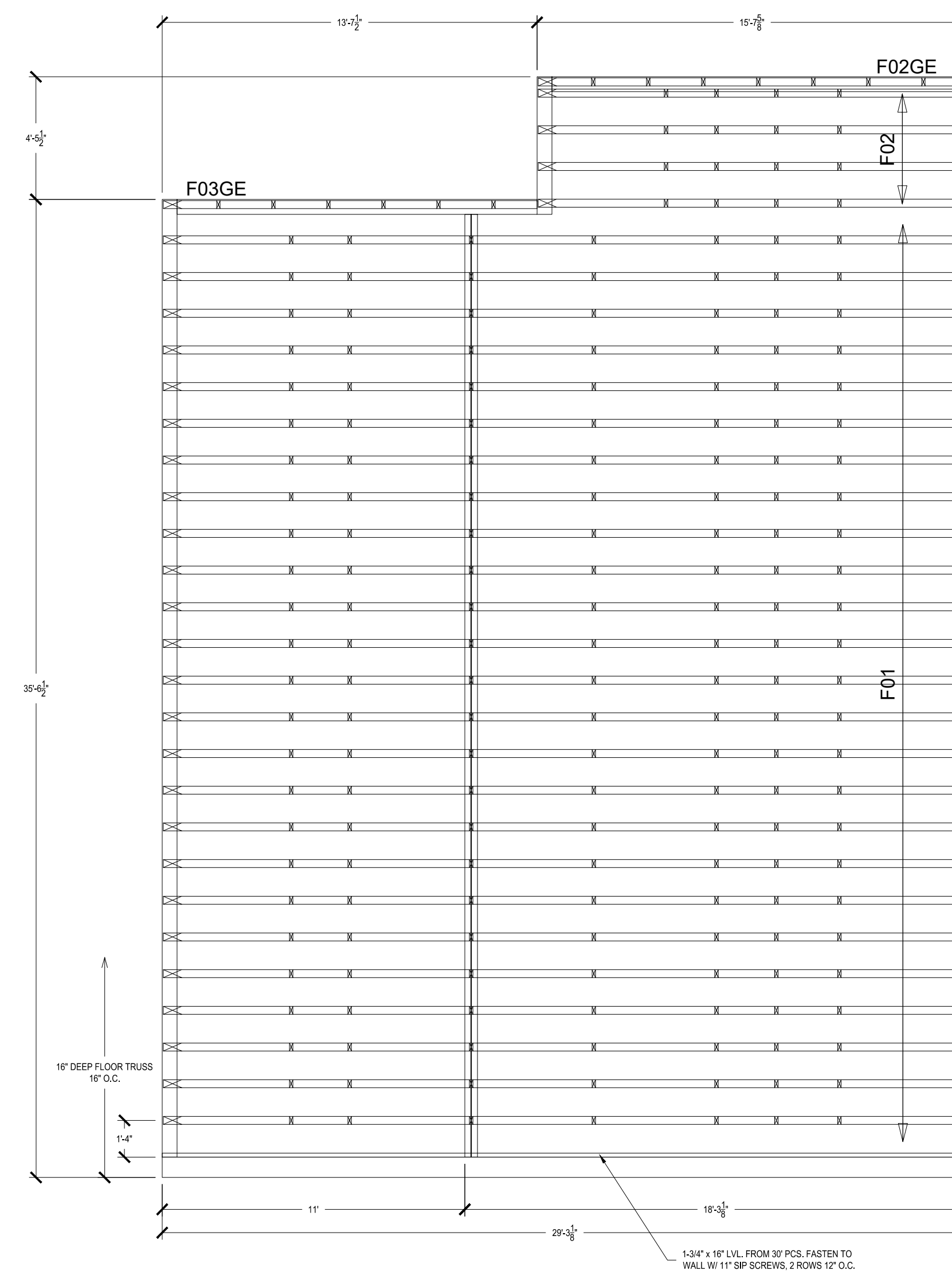
SHEET:
S1.11

GENERAL LAYOUT NOTES:

1. Complete truss engineering and analysis can be found on the Truss Design Drawings which may be noted by the Truss Design Engineer as applicable. The trusses identified are designed as individual building components to be incorporated into the building to support the loads specified on the individual truss drawings. The Contractor/owner is to verify that no other load, from the overall building system, is imposed on these trusses.
2. Any discrepancies between the dimensions and conditions specified on this layout versus the approved for construction prints should be reported prior to truss fabrication.
3. Never exceed the design loading shown and never stack materials on inadequately braced trusses.
4. Do NOT cut or alter truss location without prior approval of Energy Panel Structures. All connections must be made in such a way as to prevent splitting. Pre-drill if necessary.
5. Design assumes trusses will be suitably protected from the environment in accord with ANSITP1 2014.
6. The required permanent bracing for the truss top chord, bottom chord, and webs are specified on the individual truss drawing. See EPS drawings for requirements.
7. For general guidance regarding bracing consult BCSI Guide to good practice for handling, installing, and bracing of metal plate connected wood trusses available from the Truss Plate Institute, 218 North Lee St., Ste. 312, Alexandria, VA 22314 - (703) 683-1010 - www.tpiinst.org

GENERAL SAFETY NOTES:

1. Failure to follow all notes could cause property damage or personal injury!
2. Until the building is completely erected in accordance with the construction documents, the trusses are unstable and may present a safety hazard. Truss instability may increase with building width, height, and length.
3. Buildings under construction are vulnerable to high winds and present a safety hazard. It is the responsibility of the contractor and truss installation crew to brace components adequately.
4. Review all information provided in the JOBSITE PACKAGE to ensure compliance with industry recommendations.



1 FLOOR TRUSS LAYOUT
SCALE: 1/4" = 1'-0"



ENERGY PANEL STRUCTURES
102 EAST INDUSTRIAL PARK
GRATTEINGER, LA 51342
PHONE: 712-859-3219
FAX: 712-859-3275
WWW.EPSBUILDINGS.COM

PROJECT NUMBER:
2024/SC/IA91160

CUSTOMER SERVICE:
STEVEN D.

DRAWN BY:
BRENT W.

REVIEWED BY:
DAVE M.

DATE:
3/7/2024

REVISIONS:
6/6/2024

-
-

Print Date: 6/06/2024

DEALER:
JAMES FOWLER CONTRACTING
PROJECT TITLE:
WILLIAMS ELECTRIC OFFICE &
RENTAL PROPERTY
SOLID CORE/LADDER FRAME
BUILDING PACKAGE

SHEET TITLE:
**SECOND LEVEL
FLOOR FRAMING**

PROJECT STATUS:
FINAL
DRAWINGS

SHEET:
S1.20



AN EMPLOYEE-OWNED COMPANY
 ENERGY PANEL STRUCTURES
 102 EAST INDUSTRIAL PARK
 GRAETTINGER, LA 51342
 PHONE: 712.859.3219
 FAX: 712.859.3275
 WWW.EPSBUILDINGS.COM

PROJECT NUMBER:
 2024/SC/IA91160

CUSTOMER SERVICE:
 STEVEN D.

DRAWN BY:
 BRENT W.

REVIEWED BY:
 DAVE M.

DATE:
 3/7/2024

REVISIONS:
 6/6/2024

-
 -

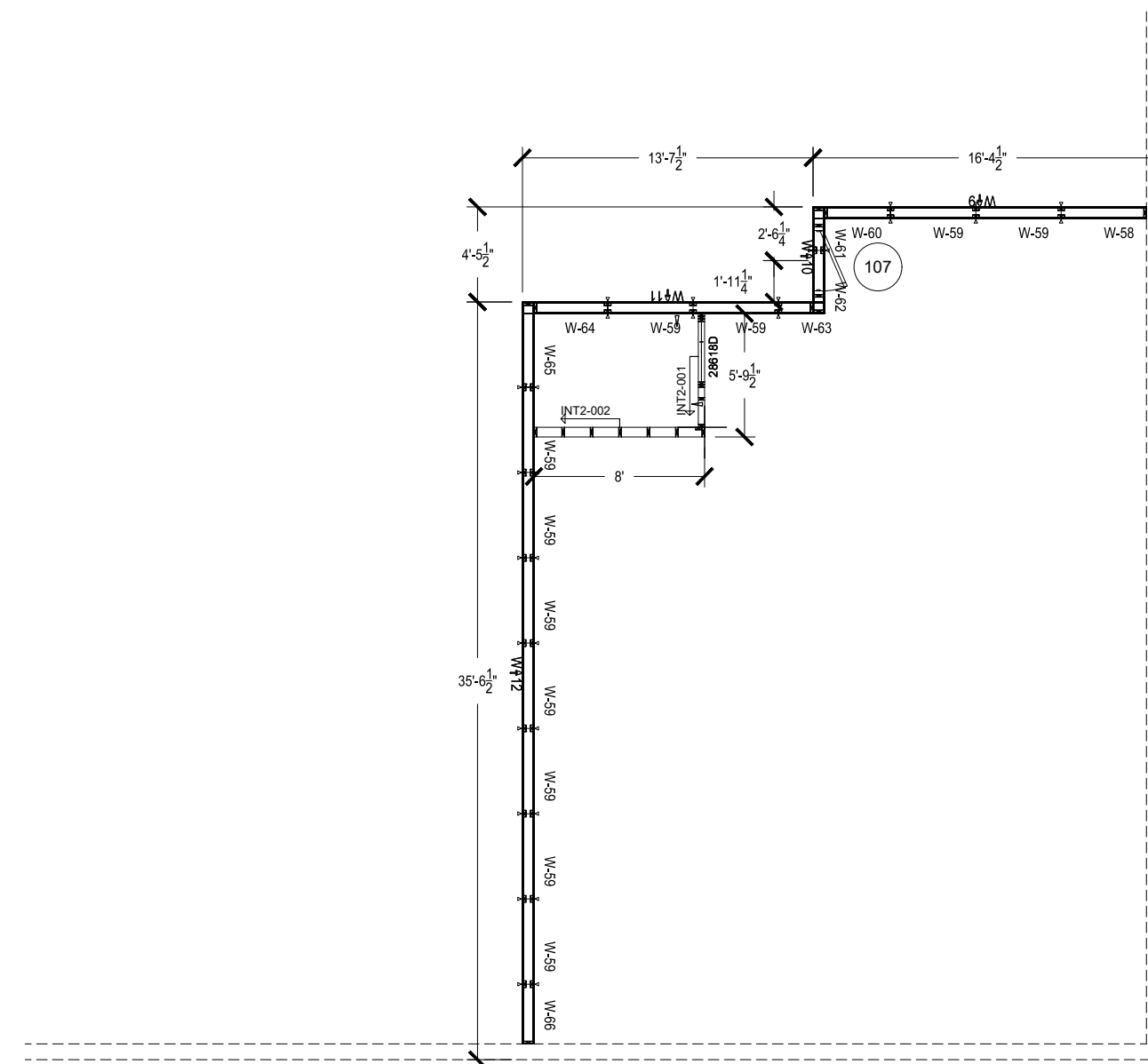
Print Date: 6/06/2024

DEALER:
 JAMES FOWLER CONTRACTING
 PROJECT TITLE:
 WILLIAMS ELECTRIC OFFICE &
 RENTAL PROPERTY
 SOLID CORE/LADDER FRAME
 BUILDING PACKAGE

SHEET TITLE:
 SECOND LEVEL
 WALL LAYOUT

PROJECT STATUS:
 FINAL
 DRAWINGS

SHEET:
 S1.21



1 PLAN VIEW
 SCALE: 1/8" = 1'-0"

DOOR OPENING/HEADER SCHEDULE										
Remarks	Number	Quantity	Rough Width	Rough Height	Head Height	Header	Bearing Studs (Each Side)	Full Studs (Each Side)	Head Detail	Jamb Detail
BY OTHERS	107	1	3'-2"	6'-11"	6'-11"	SIP HEADER (WRAP OPENING IN 2x MATERIAL)	-	-	-	SIM 3/S3.0

GENERAL LAYOUT NOTES:

- Complete truss engineering and analysis can be found on the Truss Design Drawings which may be sealed by the Truss Design Engineer as applicable. The trusses identified are designed as individual building components to be incorporated into the building to support the loads specified on the individual truss drawings. The Contractor is to verify that no other load, from the overall building system, is imposed on these trusses.
- Any discrepancies between the dimensions and conditions specified on this layout versus the approved for construction prints should be reported prior to truss fabrication.

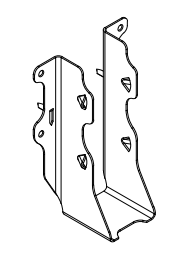
- Never exceed the design loading shown and never stack materials on inadequately braced trusses.
- Do NOT cut or alter truss location without prior approval of Energy Panel Structures. All connections must be made in such a way as to prevent splitting. Pre-drill if necessary.
- Design assumes trusses will be suitably protected from the environment in accord with ANSITP 1-2014.
- The required permanent bracing for the truss top chord, bottom chord, and webs are specified on the individual truss drawing. See EPS drawings for requirements.

- For general guidance regarding bracing consult BCSI Guide to good practice for handling, installing, and bracing of metal plate connected wood trusses available from the Truss Plate Institute, 218 North Lee St., Ste. 312, Alexandria, VA 22314 - (703) 683-1010 - www.tprst.org

GENERAL SAFETY NOTES:

- Failure to follow all notes could cause property damage or personal injury!
- Until the building is completely erected in accordance with the construction documents, the trusses are unstable and may present a safety hazard. Truss instability may increase with building width, height, and length.
- Buildings under construction are vulnerable to high winds and present a safety hazard. It is the responsibility of the contractor and truss installation crew to brace components adequately.
- Review all information provided in the **JOB SITE PACKAGE** to ensure compliance with industry recommendations.

LUS26
Fasteners:
Supporting Members: (4) 10d Common @ 45° Nails
Supported Members: (4) 10d x 1.5" @ 90° Nails, per member



Simpson Strong-Tie
www.simpsonstrongtie.com
800.999.5099



AN EMPLOYEE-OWNED COMPANY

ENERGY PANEL STRUCTURES
102 EAST INDUSTRIAL PARK
GRAETTINGER, LA 51342
PHONE: 712-859-3219
FAX: 712-859-3275
WWW.EPSBUILDINGS.COM

THE BELOW TABLE SPECIFIES THE PERMANENT ROOF TRUSS WEB BRACING FOR THIS ROOF SYSTEM. USE IN CONJUNCTION WITH INDIVIDUAL TRUSS DESIGN DRAWINGS AND THE BCSI MANUAL.

(E)	DIAGONAL BRACE W/ SPP#2 2x4x12 MATERIAL @ 20' O.C. ENTIRE LENGTH OF BUILDING. SEE S15.10
(DS)	DRAFT STOP IN ATTIC. SHEATH W/ 2" O.C. SPECIAL TRUSS SUPPLY W/ VERTICAL NAILERS @ 48" O.C. SEE DETAIL 115R.1
(EW)	SPP#2 2x6 ENDWALL T-BRACING @ 8' O.C. SEE DETAIL 251.10

PROJECT NUMBER:
2024/SC/IA91160

CUSTOMER SERVICE:
STEVEN D.

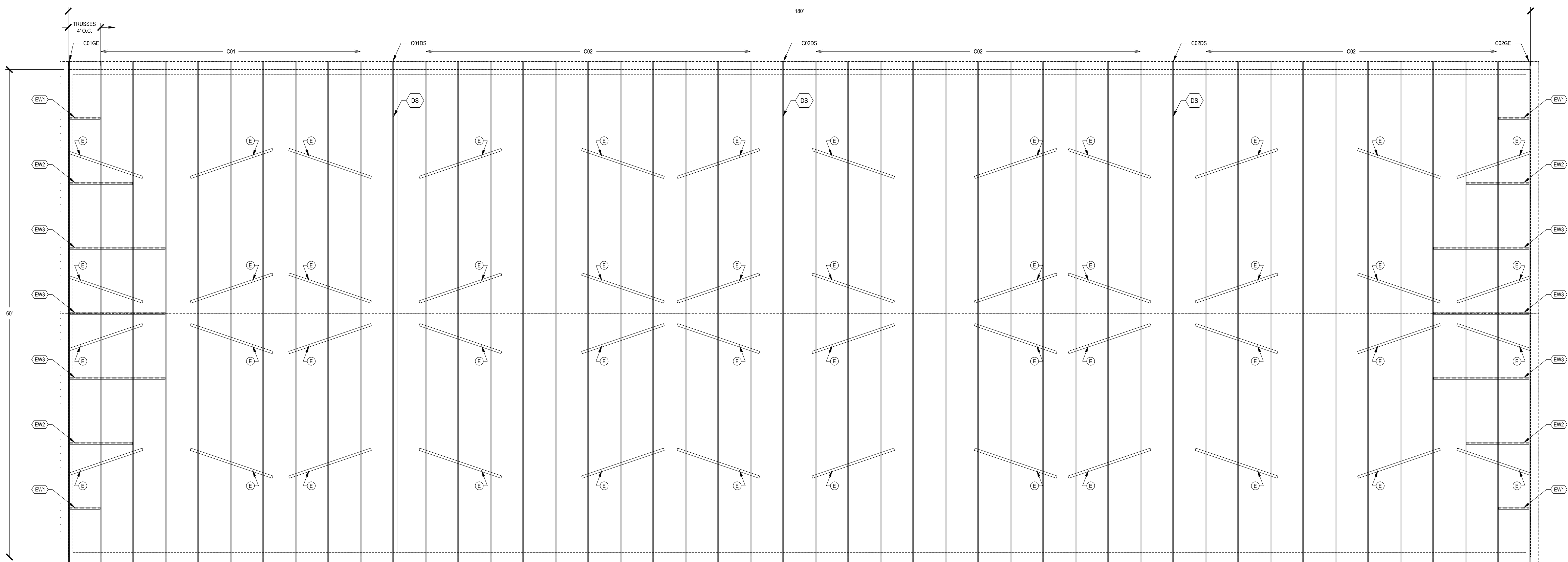
DRAWN BY:
BRENT W.

REVIEWED BY:
DAVE M.

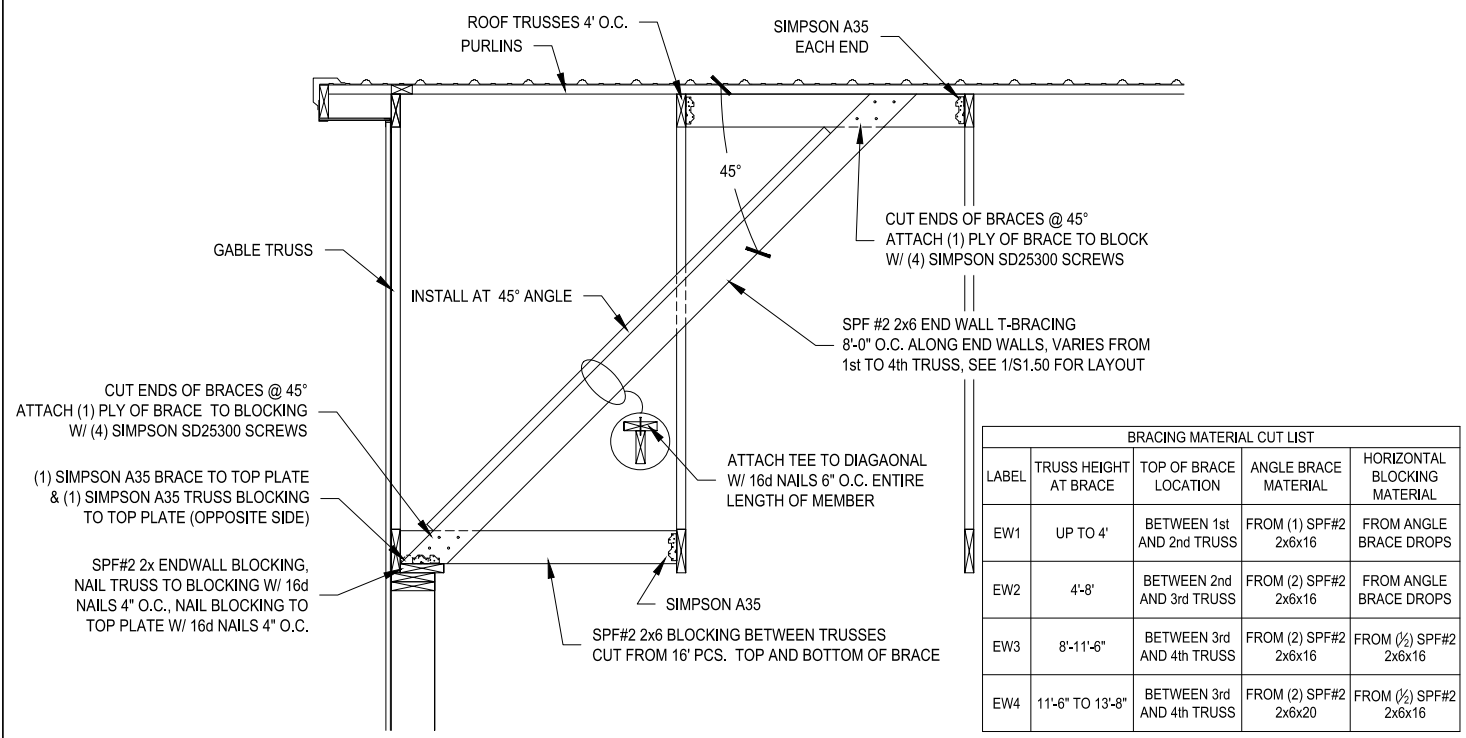
DATE:
3/7/2024

REVISIONS:
6/6/2024

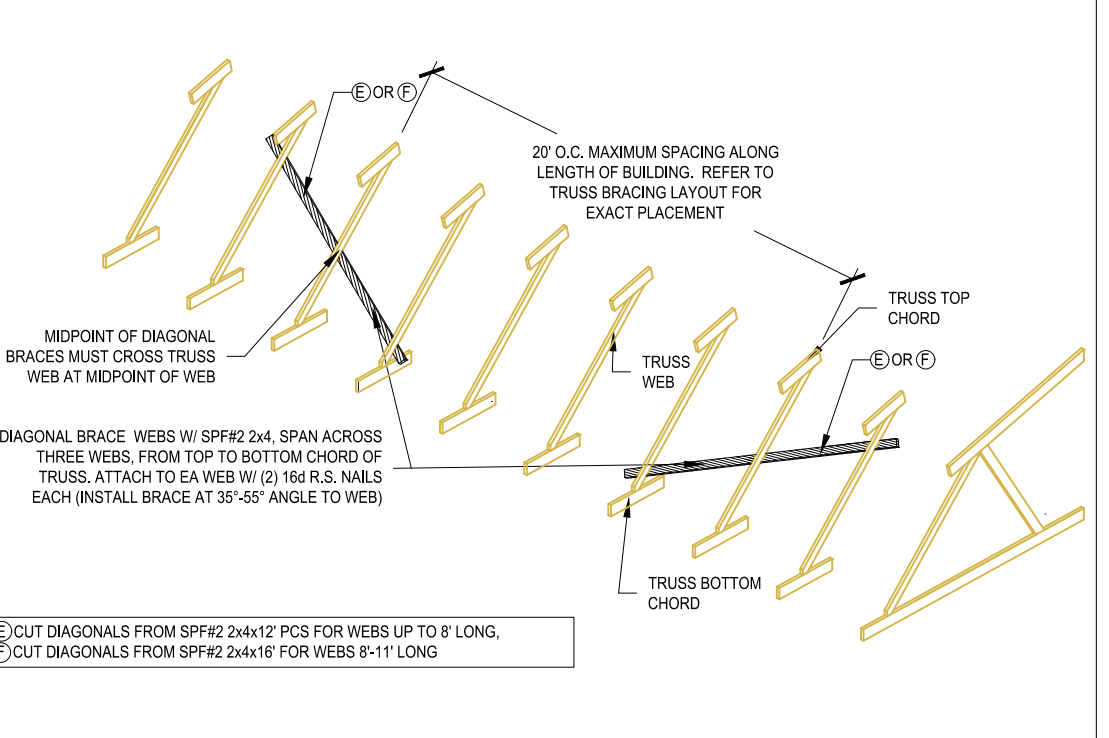
Print Date: 6/06/2024



1 - TRUSS PLACEMENT & BRACING LAYOUT



2 - ENDWALL T-BRACING



3 - ATTIC DIAGONAL BRACES- NO LATERALS

DEALER:
JAMES FOWLER CONTRACTING

PROJECT TITLE:
WILLIAMS ELECTRIC OFFICE & RENTAL PROPERTY
SOLID CORE/LADDER FRAME BUILDING PACKAGE

ROOF FRAMING PLAN

PROJECT STATUS:
FINAL DRAWINGS

SHEET:
S1.50

THE BELOW TABLE SPECIFIES THE PERMANENT ROOF TRUSS WEB BRACING FOR THE ROOF SYSTEM. USE IN CONJUNCTION WITH INDIVIDUAL TRUSS DESIGN DRAWINGS AND THE BCS MANUAL.

(E)	DIAGONAL BRACE W/ SPFR2 2x4x12 MATERIAL @ 24" O.C. ENTIRE LENGTH OF BUILDING. SEE 203.10.
-----	---

PROJECT NUMBER:
2024/SC/IA91160

CUSTOMER SERVICE:
STEVEN D.

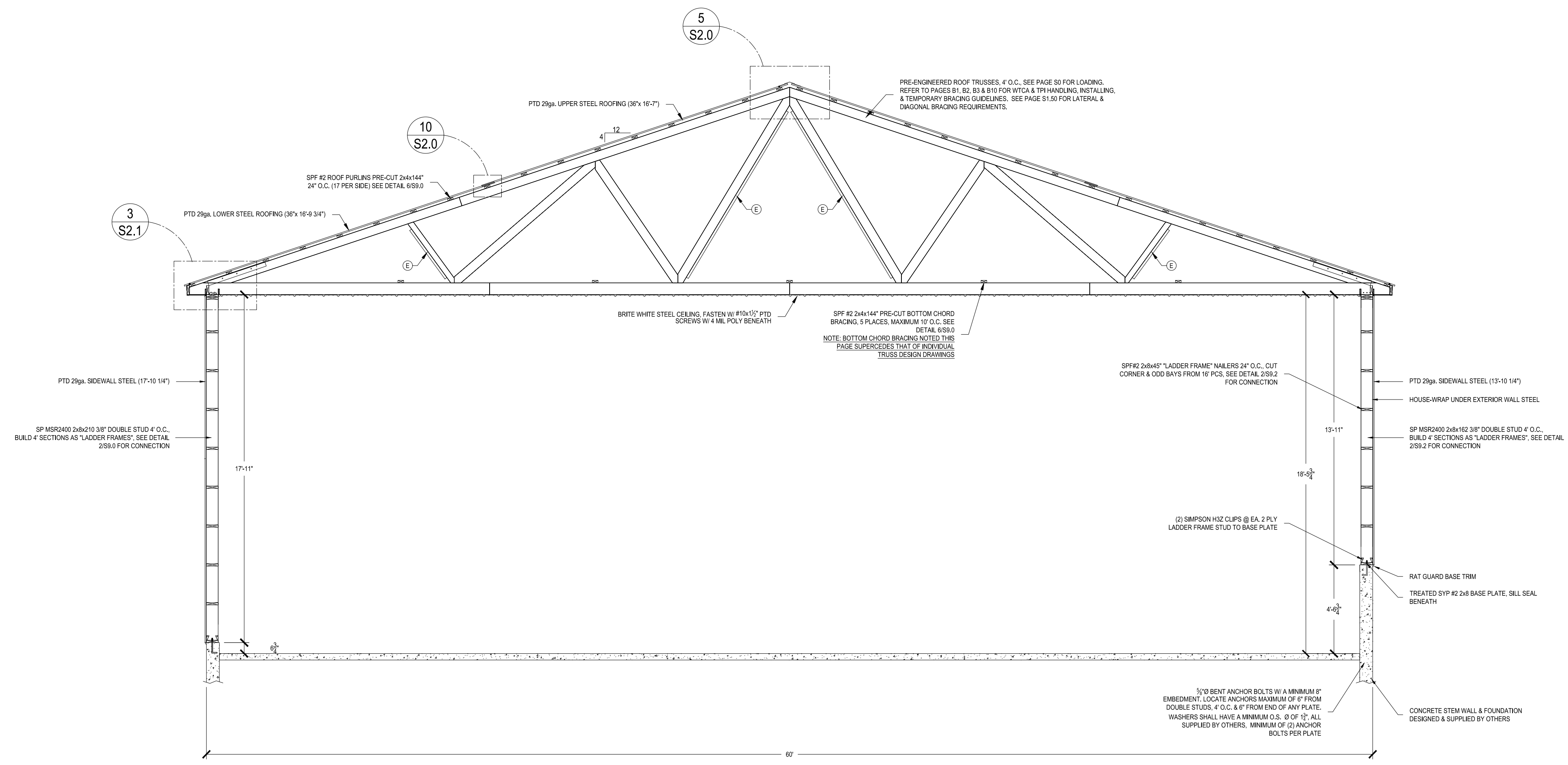
DRAWN BY:
BRENT W.

REVIEWED BY:
DAVE M.

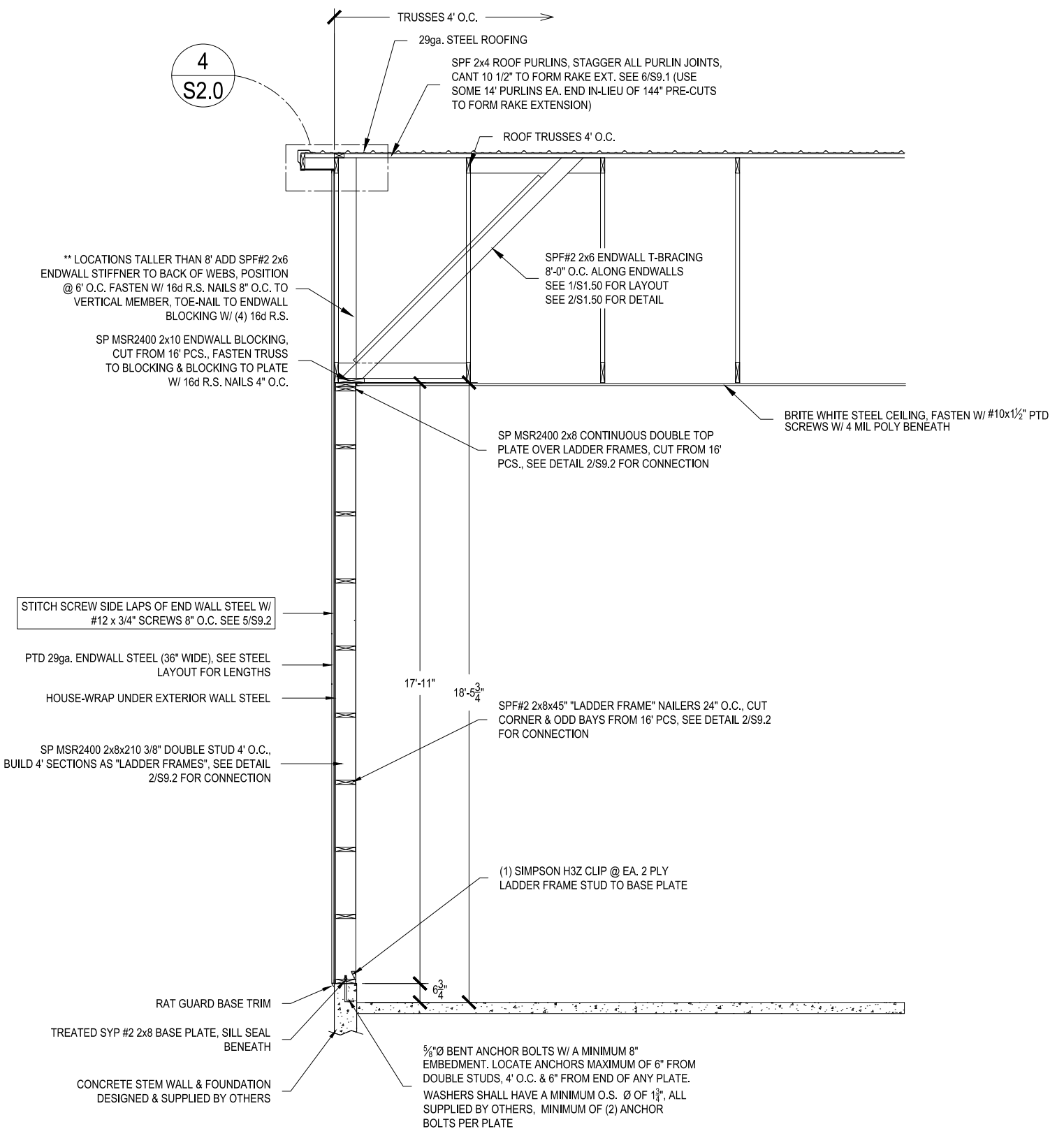
DATE:
3/7/2024

REVISIONS:
6/6/2024

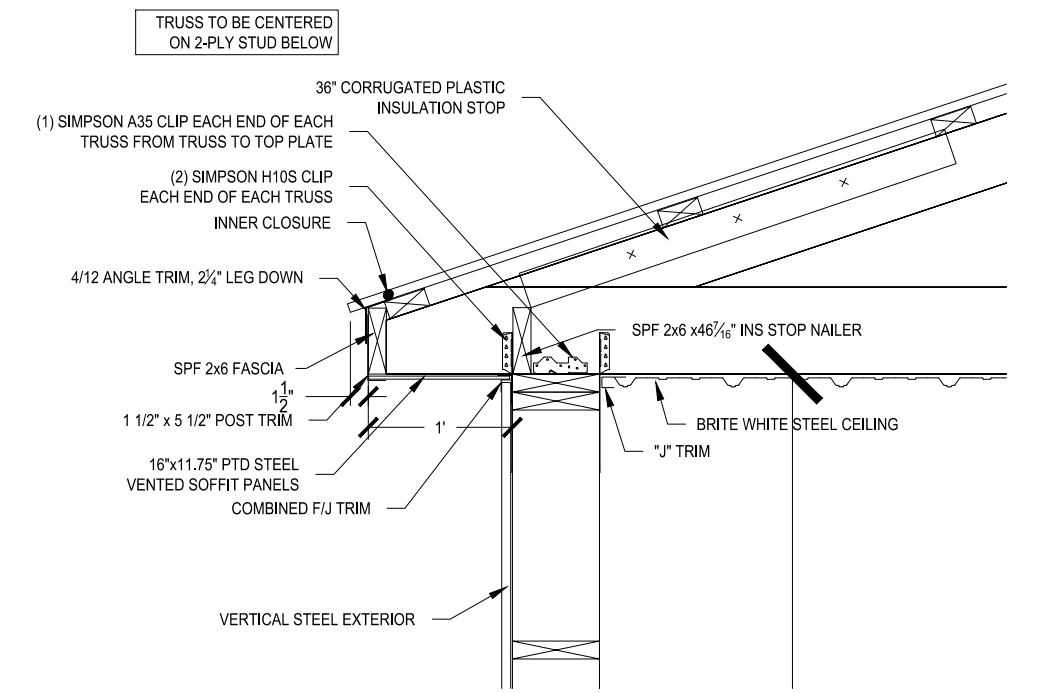
Print Date: 6/06/2024



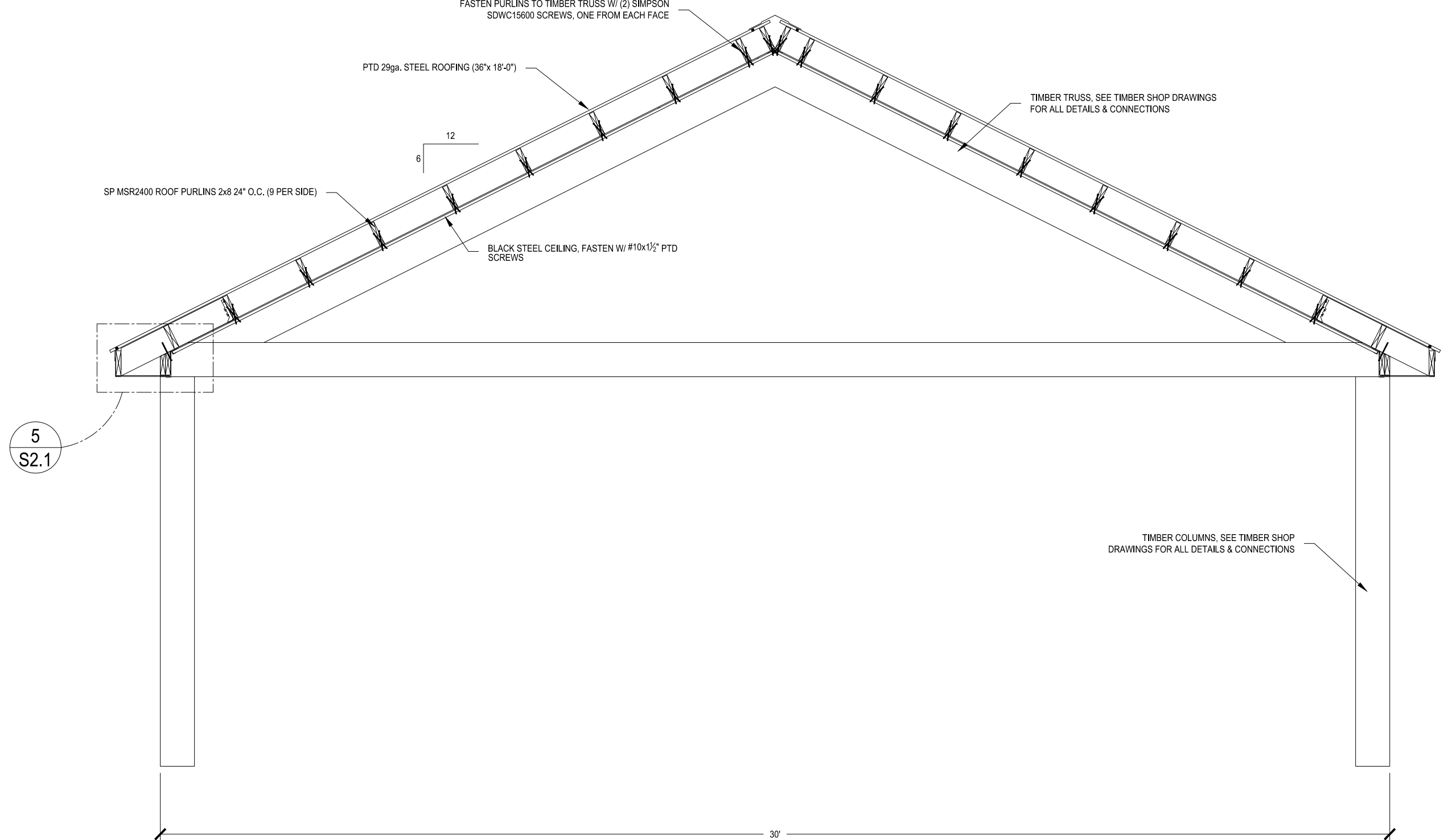
1 CROSS SECTION
SCALE: 1/4" = 1'-0"



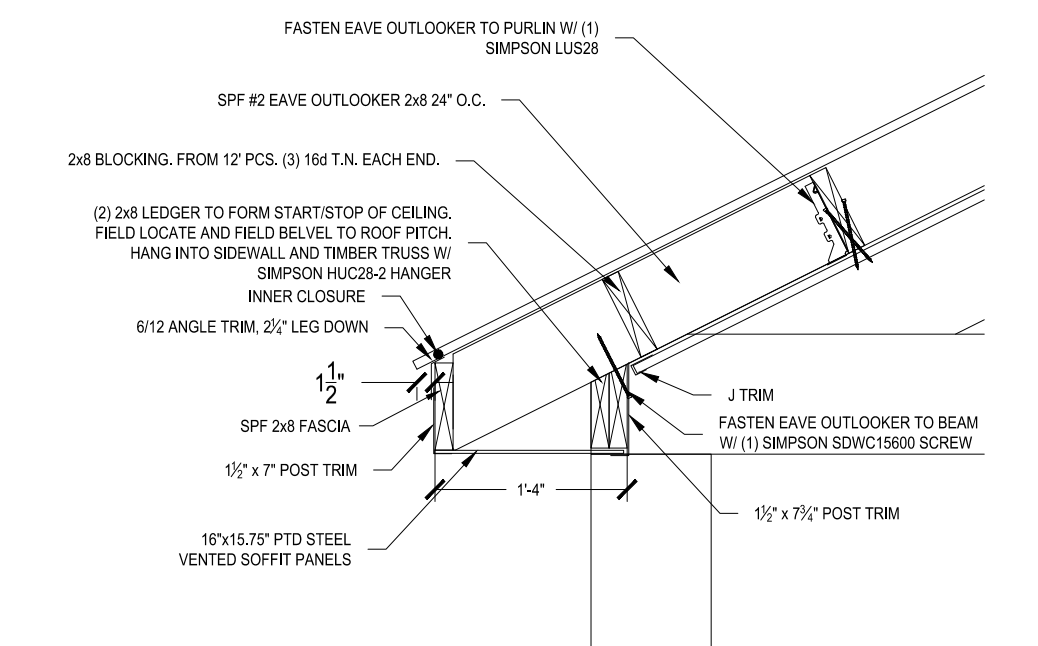
2 ENDWALL SECTION
SCALE: 1/4" = 1'-0"



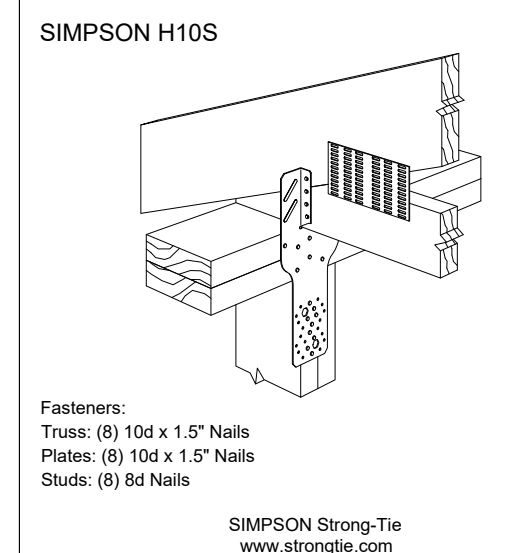
3 EAVE DETAIL
SCALE: 3/4" = 1'-0"



4 CROSS SECTION
SCALE: 3/8" = 1'-0"



5 EAVE DETAIL
SCALE: 3/4" = 1'-0"



DEALER:
JAMES FOWLER CONTRACTING

PROJECT TITLE:
WILLIAMS ELECTRIC OFFICE &
RENTAL PROPERTY
SOLID CORE/LADDER FRAME
BUILDING PACKAGE

BUILDING SECTIONS

PROJECT STATUS:
FINAL DRAWINGS

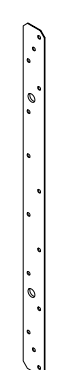
SHEET:
S2.1

DOOR OPENING/HEADER SCHEDULE										
Remarks	Number	Quantity	Rough Width	Rough Height	Head Height	Header	Bearing Studs (Each Side)	Full Studs (Each Side)	Head Detail	Jamb Detail
OVERHEAD DOOR BY OTHERS	100	3	12'-0"	14'-0"	14'-0"	(2) PLY 2x12 SYP MSR2400 BOX	1	2	13/S3.0	8/S3.0
OVERHEAD DOOR BY OTHERS	101	5	14'-0"	14'-0"	14'-0"	(2) PLY 1-3/4" x 18" LVL BOX	2	2	12/S3.0	5/S3.0
BY OTHERS	102	1	3'-0"	6'-11"	6'-11"	2X8 FLAT	--	2	--	1/S3.0
BY OTHERS	103	2	3'-2"	6'-11"	6'-11"	(2) PLY 2x10 SYP MSR2400	1	1	9/S3.0	SIM 2/S3.0
BY OTHERS	104	1	3'-2"	6'-11"	6'-11"	(2) PLY 2x10 SYP MSR2400 BOX	2	1	10/S3.0	2/S3.0
BY OTHERS	105	1	3'-2"	6'-11"	6'-11"	(2) PLY 2x6 SYP MSR2400	1	1	11/S3.0	3/S3.0
BY OTHERS	106	1	3'-0"	6'-11"	6'-11"	(2) PLY 2x6 SYP MSR2400	1	1	11/S3.0	3/S3.0

WINDOW SCHEDULE										
Remarks	Number	Quantity	Rough Width	Rough Height	Head Height	Header	Bearing Studs (Each Side)	Full Studs (Each Side)	Head Detail	Jamb Detail
BY OTHERS	10	2	5'-0 3/4"	5'-0 3/4"	6'-9"	(2) PLY 2x10 SYP MSR2400 BOX	2	1	10/S3.0	4/S3.0

DOOR OPENING/HEADER SCHEDULE										
Remarks	Number	Quantity	Rough Width	Rough Height	Head Height	Header	Bearing Studs (Each Side)	Full Studs (Each Side)	Head Detail	Jamb Detail
BY OTHERS	107	1	3'-2"	6'-11"	6'-11"	SIP HEADER (WRAP OPENING IN 2x MATERIAL)	--	--	--	SIM 3/S3.0

SIMPSON MSTA



Fasteners: (MSTA18 SHOWN)

MSTA9: (6) 10d Nails
MSTA12: (10) 10d Nails
MSTA16: (14) 10d Nails
MSTA24: (18) 10d Nails
MSTA30: (24) 10d Nails
MSTA36: MSTA49 (26) 10d NAILS

SIMPSON Strong-Tie
www.strongtie.com



AN EMPLOYEE-OWNED COMPANY

ENERGY PANEL STRUCTURES
102 EAST INDUSTRIAL PARK
GRAETTINGER, LA 51342
PHONE: 712-859-3219
FAX: 712-859-3275
WWW.EPSBUILDINGS.COM

PROJECT NUMBER:
2024/SC/IA91160

CUSTOMER SERVICE:
STEVEN D.

DRAWN BY:
BRENT W.

REVIEWED BY:
DAVE M.

DATE:
3/7/2024

REVISIONS:
6/6/2024

Print Date: 6/06/2024

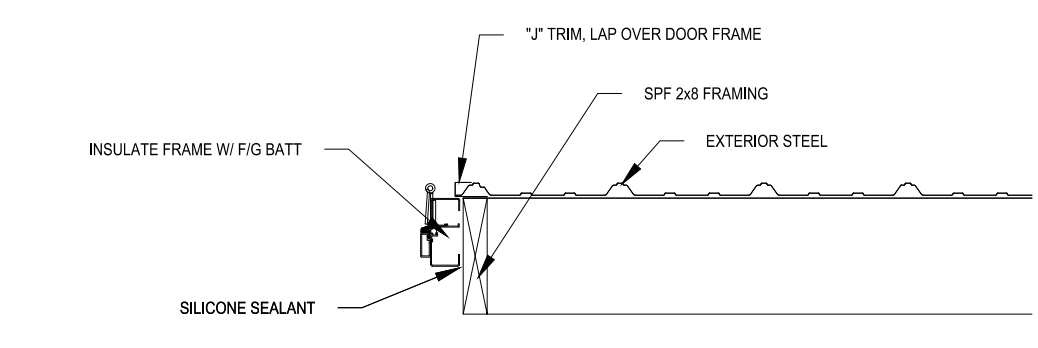
DEALER:
JAMES FOWLER CONTRACTING

PROJECT TITLE:
WILLIAMS ELECTRIC OFFICE & RENTAL PROPERTY SOLID CORE/LADDER FRAME BUILDING PACKAGE

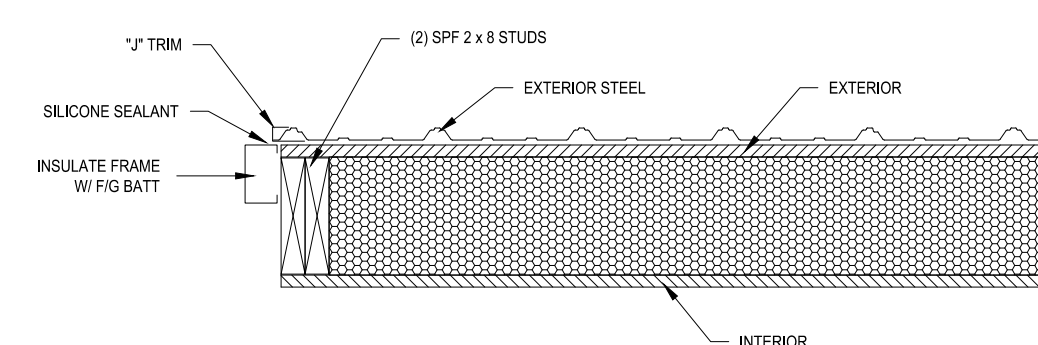
BUILDING DETAILS

SHEET TITLE:
FINAL DRAWINGS

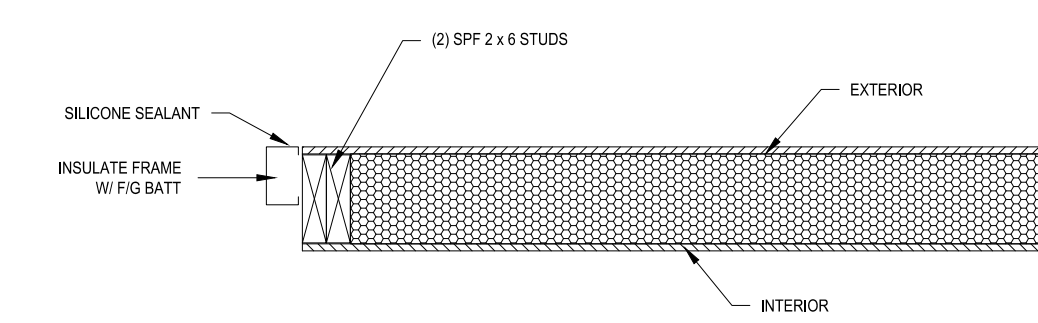
SHEET:
S3.0



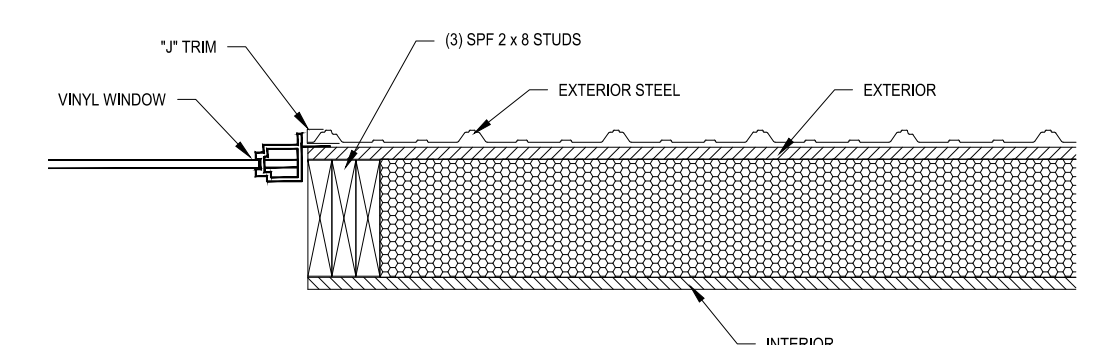
1 DOOR JAMB
SCALE: 1" = 1'-0"



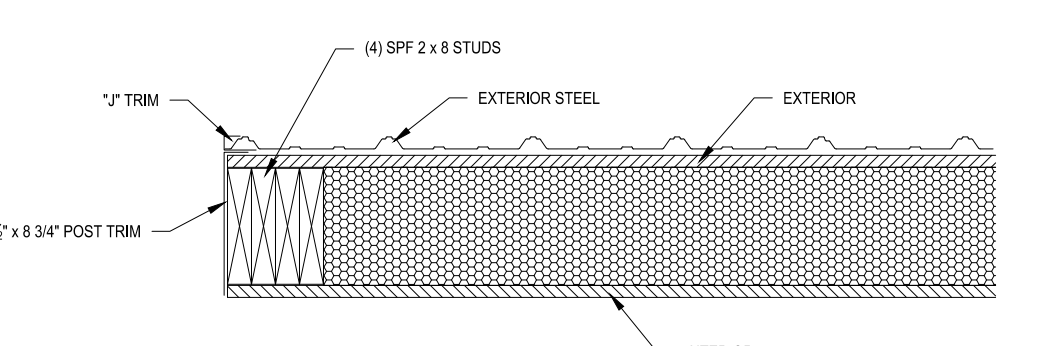
2 DOOR JAMB
SCALE: 1" = 1'-0"



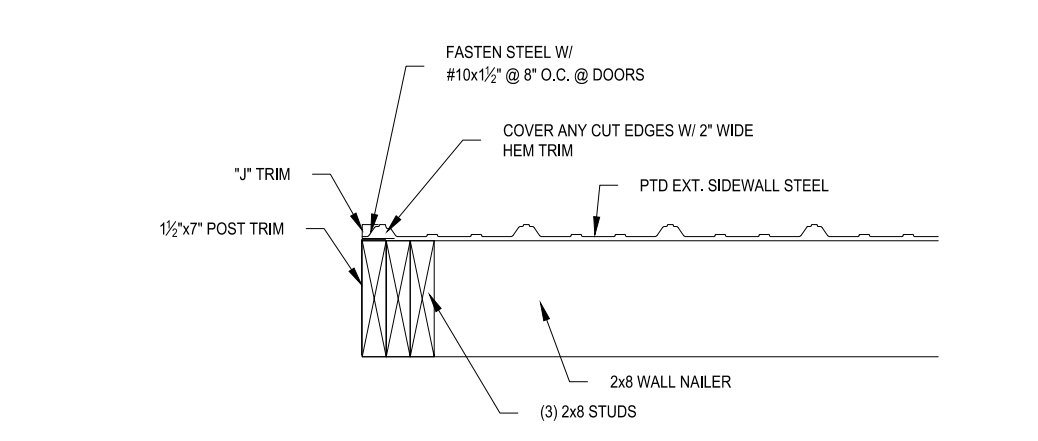
3 DOOR JAMB
SCALE: 1" = 1'-0"



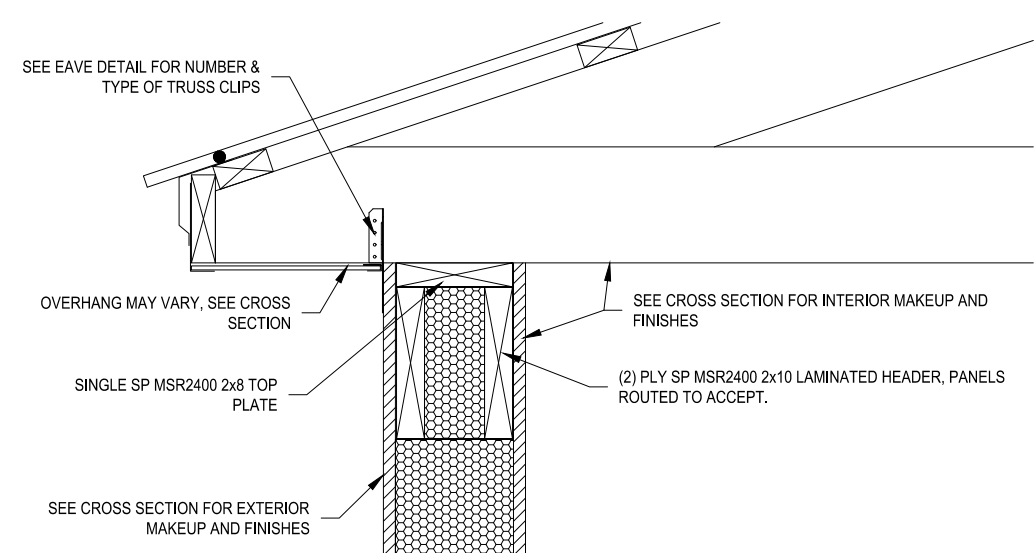
4 WINDOW JAMB
SCALE: 1" = 1'-0"



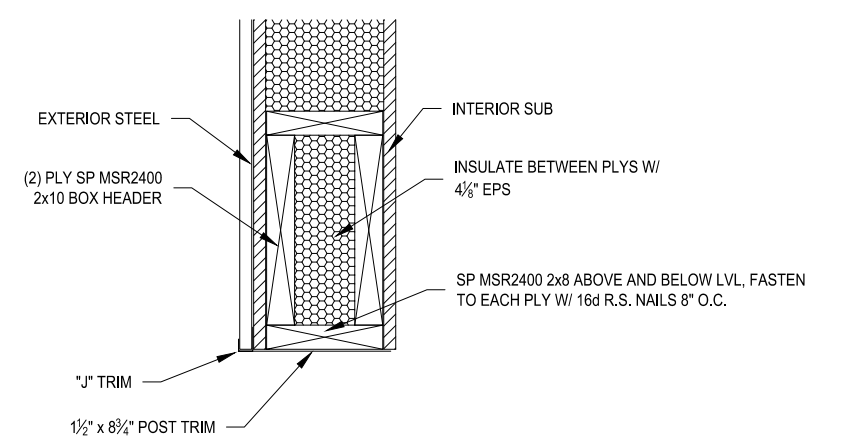
5 OVERHEAD DOOR JAMB
SCALE: 1" = 1'-0"



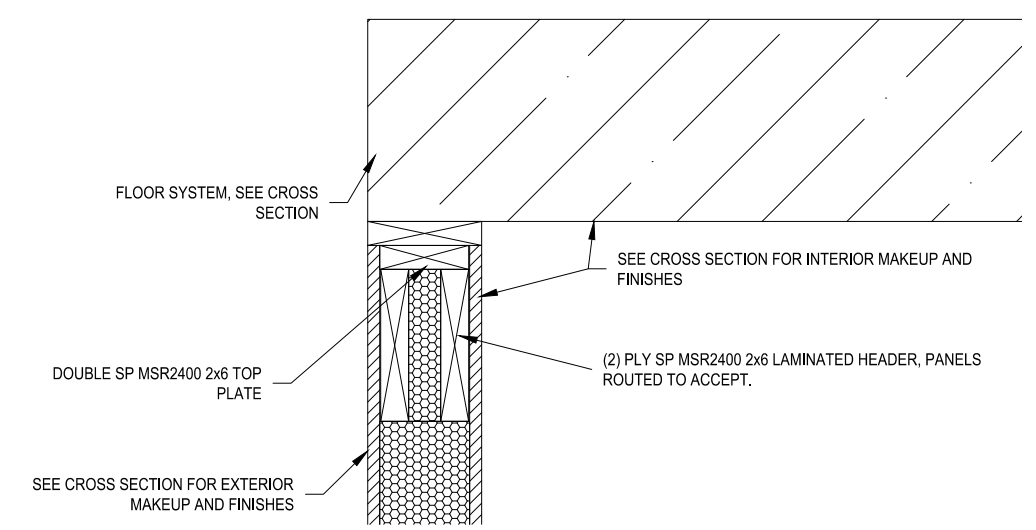
8 OVERHEAD DOOR JAMB
SCALE: 1" = 1'-0"



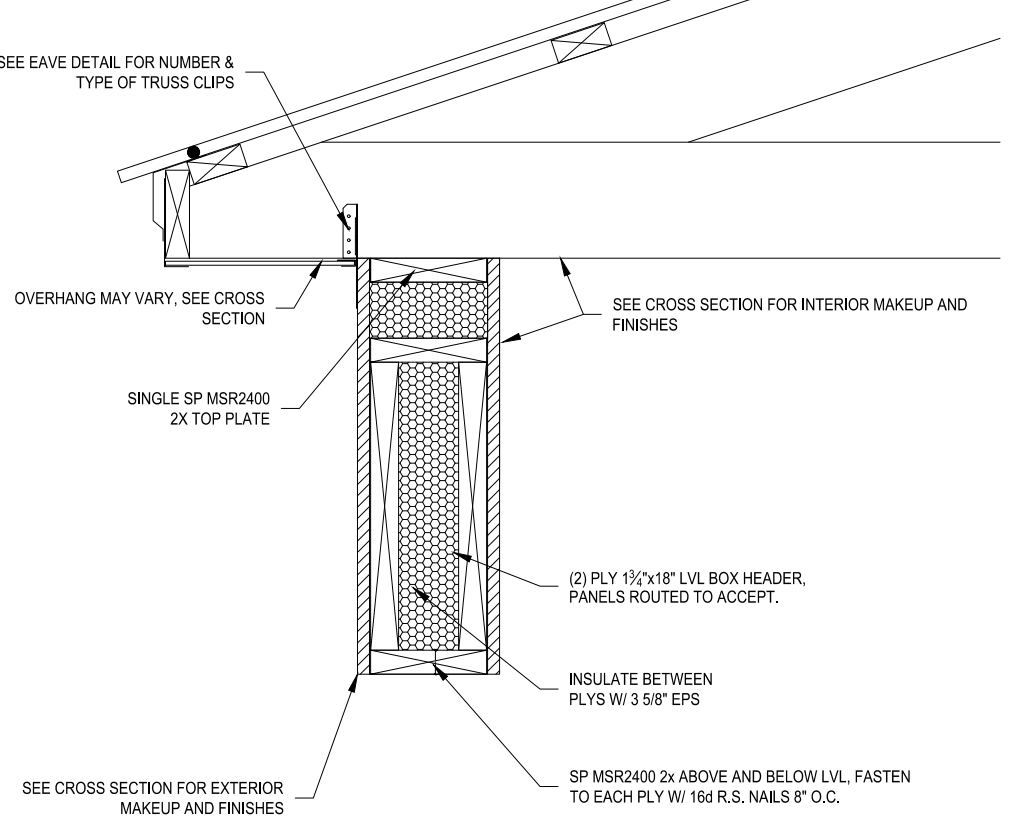
9 HEADER DETAIL
SCALE: 1" = 1'-0"



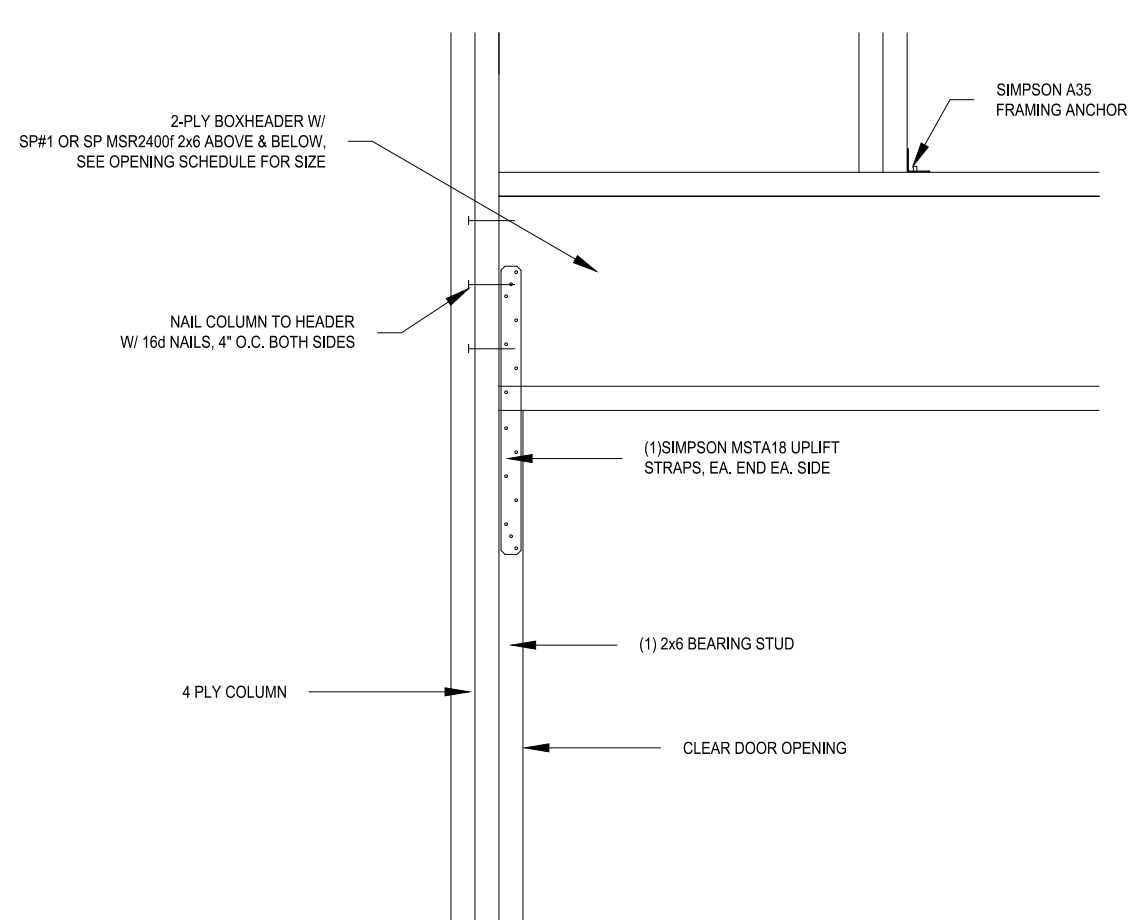
10 HEADER DETAIL
SCALE: 1" = 1'-0"



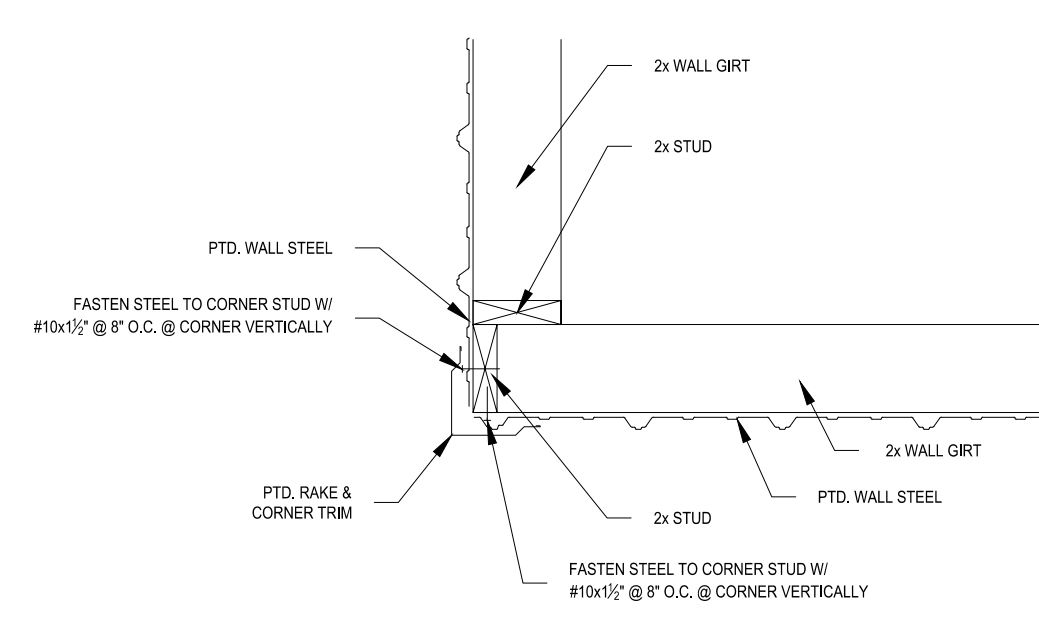
11 HEADER DETAIL
SCALE: 1" = 1'-0"



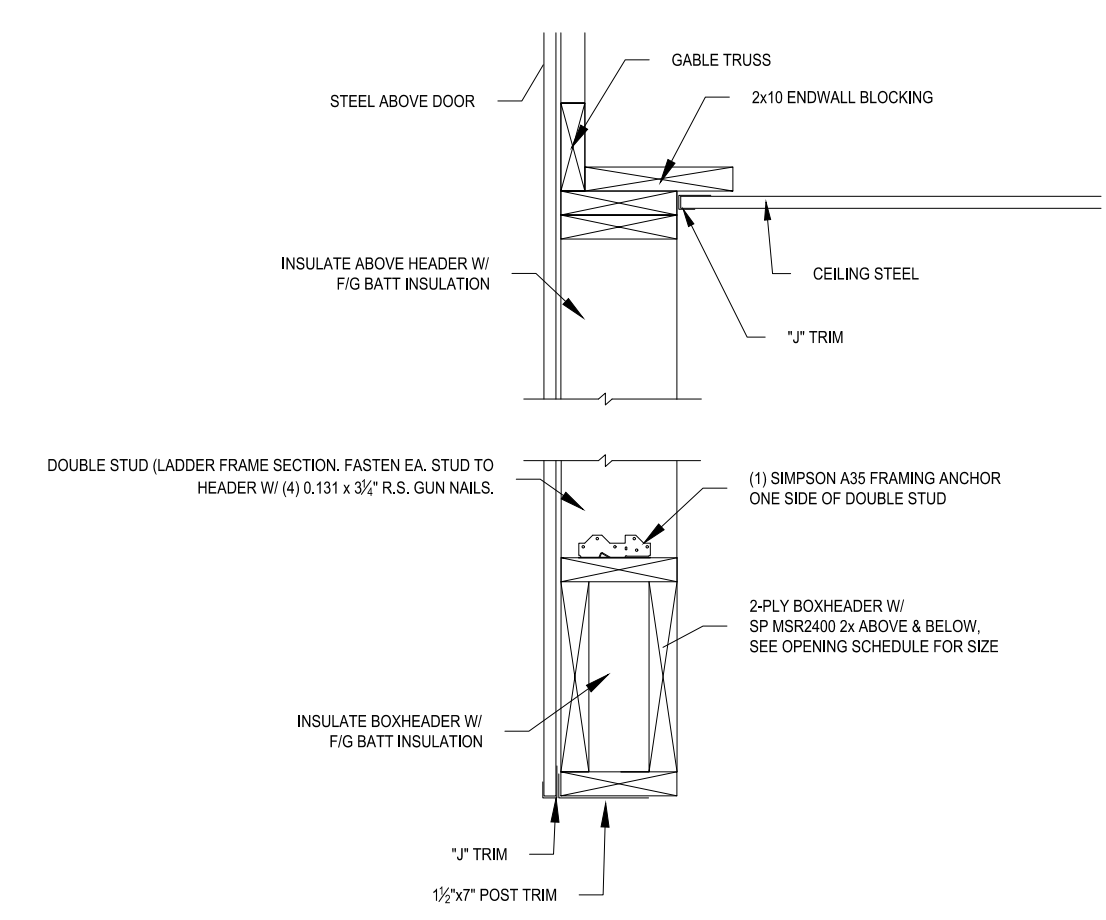
12 OVERHEAD DOOR HEADER DETAIL
SCALE: 1" = 1'-0"



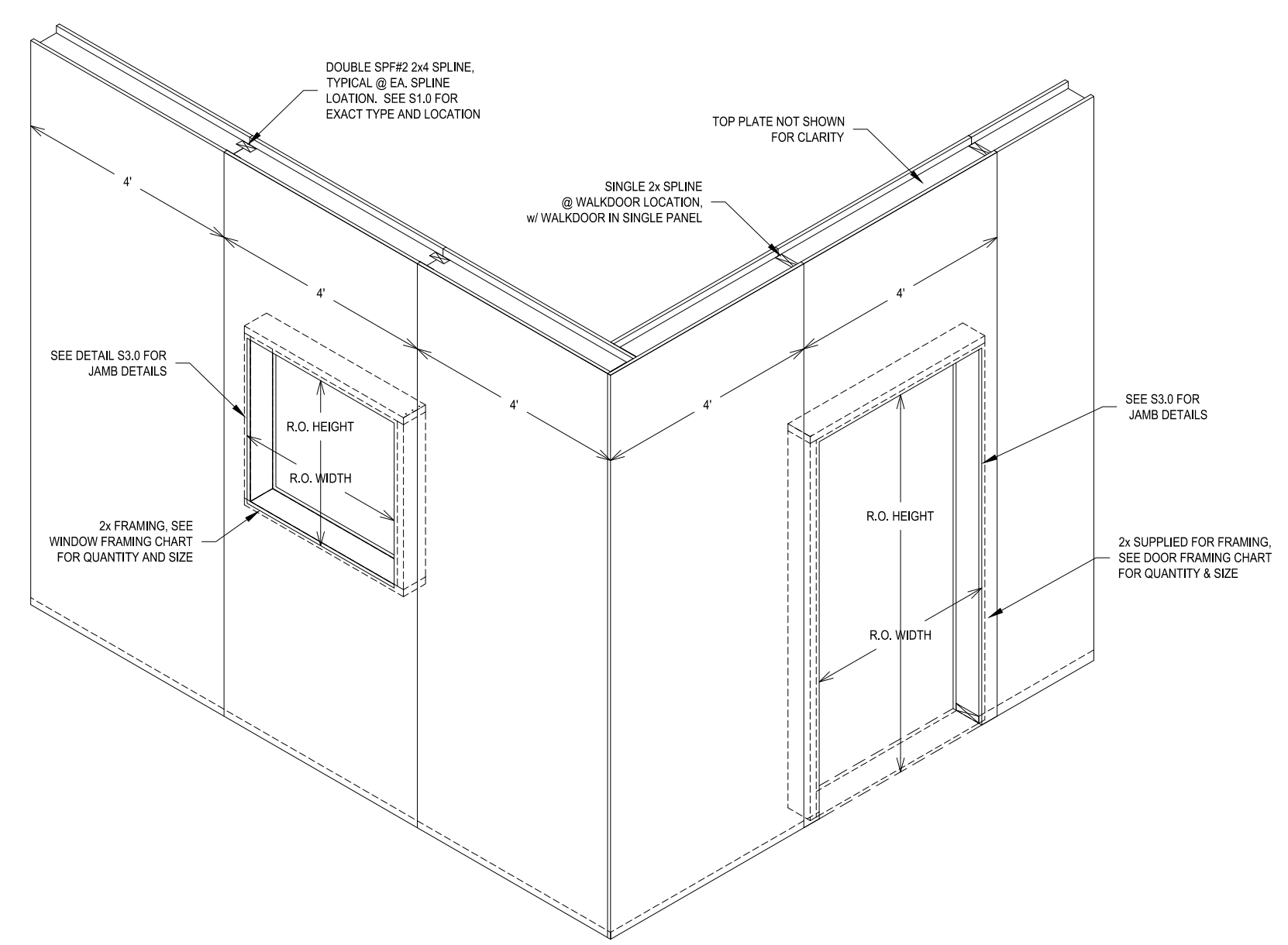
13 OVERHEAD DOOR HEADER DETAIL
SCALE: 1" = 1'-0"



19 WALL CORNER DETAIL
SCALE: 1" = 1'-0"

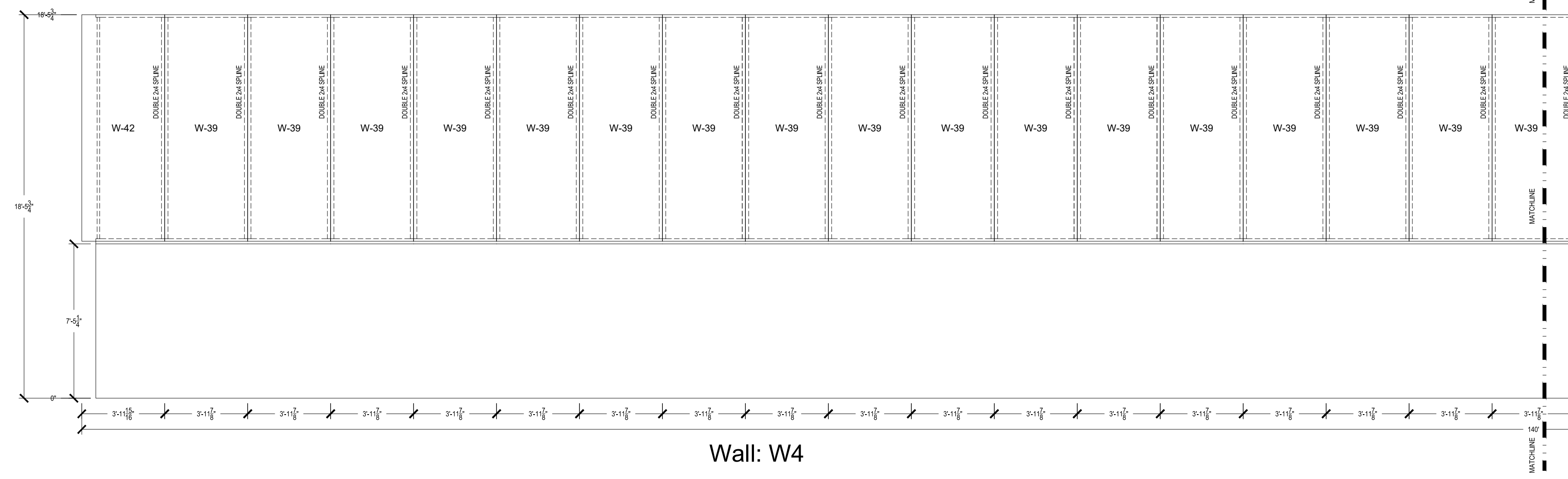


6 WALL ANCHOR INSTALLATION
SCALE: 3/4" = 1'-0"



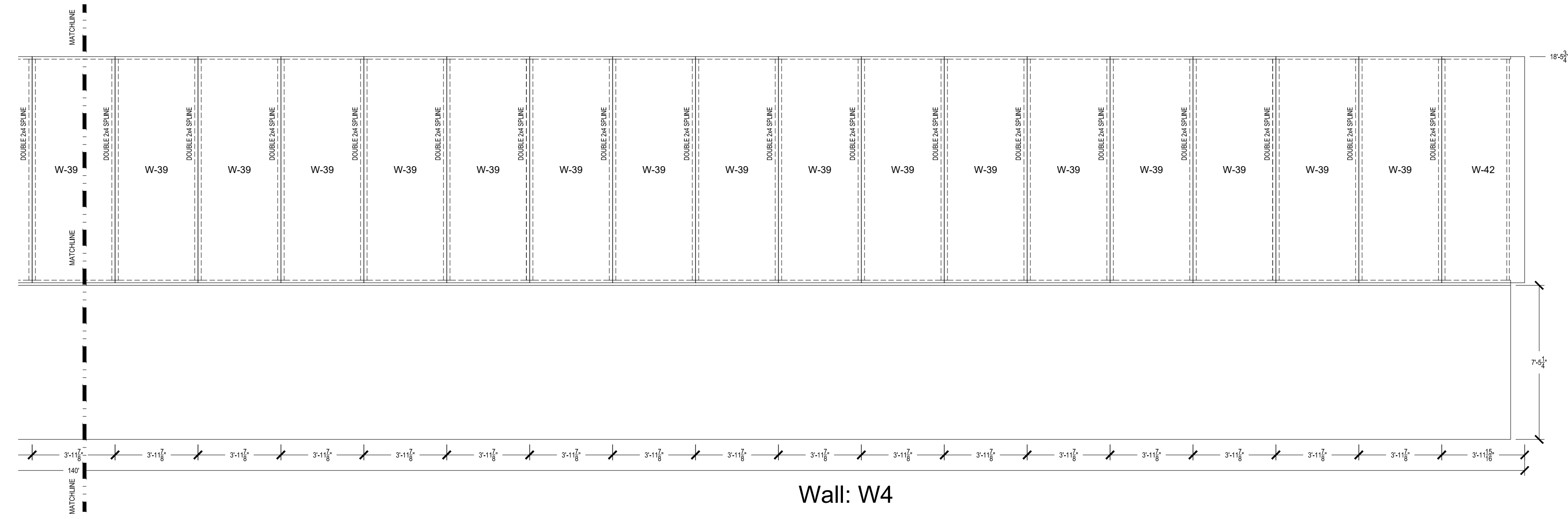
7 WINDOW/DOOR SIP PANEL DETAIL
SCALE: 3/8" = 1'-0"

SHEAR WALL HOLDDOWNS	
	SIMPSON HD7B BASE ANCHOR, FASTEN TO STUDS WITH (3) 3/8" BOLTS, FASTEN TO CONCRETE WITH (1) 3/8" EMBEDMENT THREADED ROD, EPOXY IN PLACE W/ SIMPSON AT-0910.
	SIMPSON HD8B BASE ANCHOR, FASTEN TO STUDS WITH (2) 3/8" BOLTS, FASTEN TO CONCRETE WITH (1) 3/8" EMBEDMENT THREADED ROD, EPOXY IN PLACE W/ SIMPSON AT-0910.
	NOTE LOWER NOTE DENOTES BOLT TYPE & LENGTH CB - CARRIAGE BOLT, NB - MACHINE BOLT



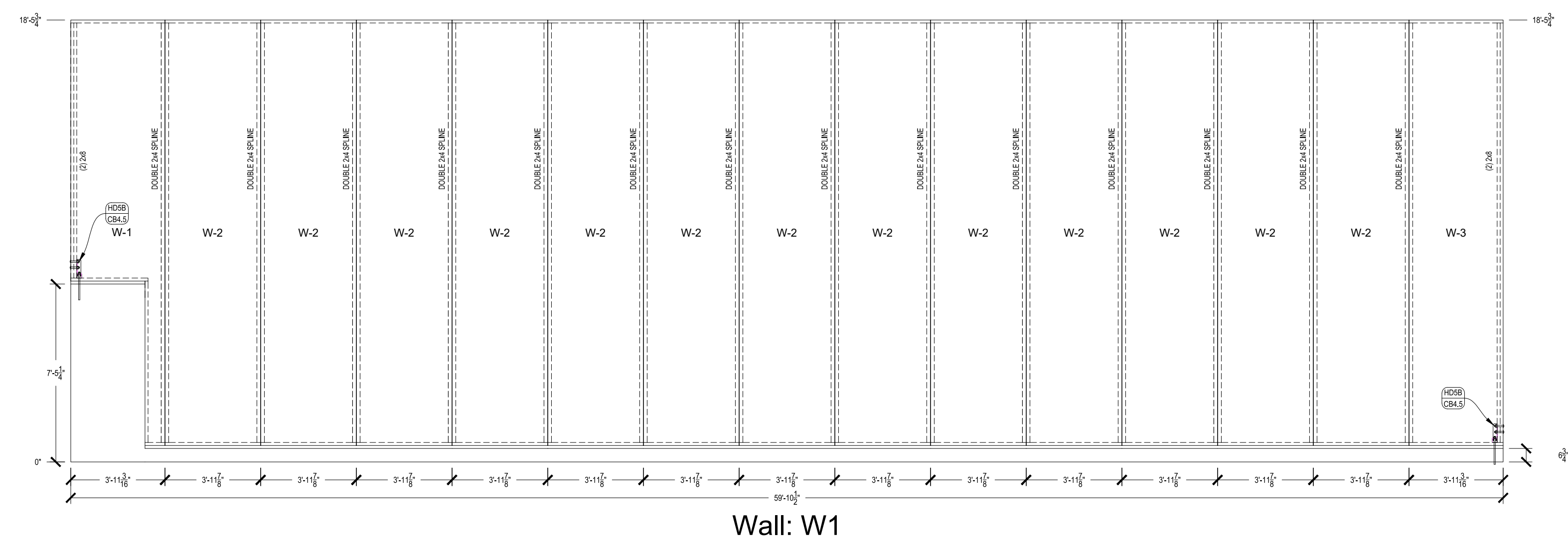
Wall: W4

1 SIDEWALL PANEL ELEVATION
SCALE: 1/4" = 1'-0"



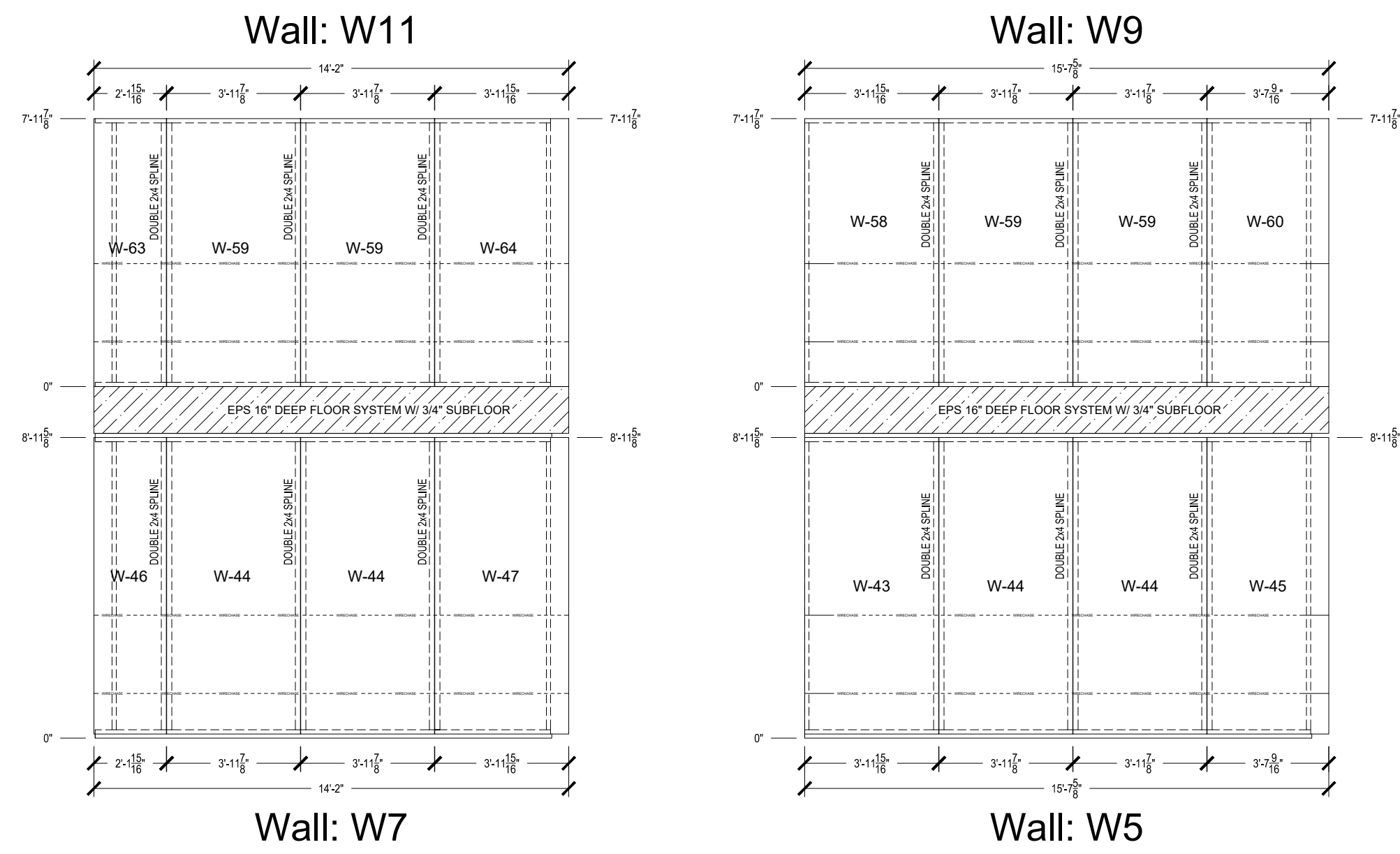
Wall: W4

2 SIDEWALL PANEL ELEVATION
SCALE: 1/4" = 1'-0"



Wall: W1

3 ENDWALL PANEL ELEVATION
SCALE: 1/4" = 1'-0"



Wall: W7

4 INTERIOR PANEL ELEVATION
SCALE: 1/4" = 1'-0"



PROJECT NUMBER:
2024/SC/IA91160

CUSTOMER SERVICE:
STEVEN D.

DRAWN BY:
BRENT W.

REVIEWED BY:
DAVE M.

DATE:
3/7/2024

REVISIONS:
6/6/2024

Print Date: 6/06/2024




DEALER:
JAMES FOWLER CONTRACTING

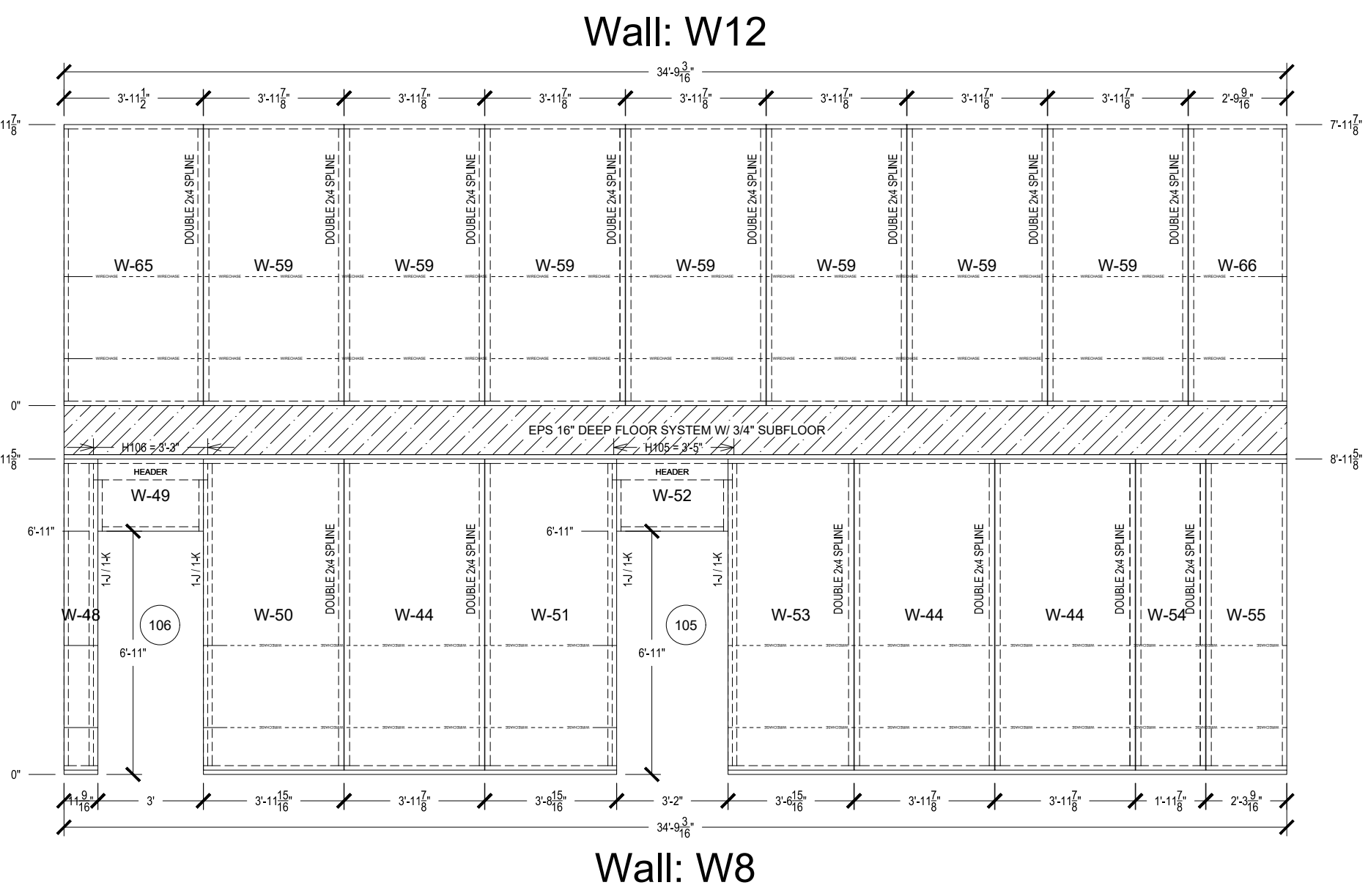
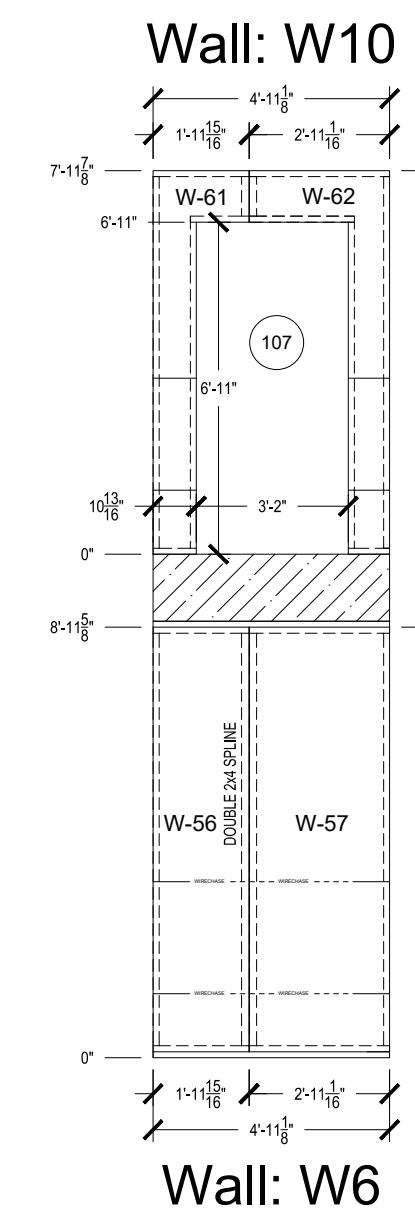
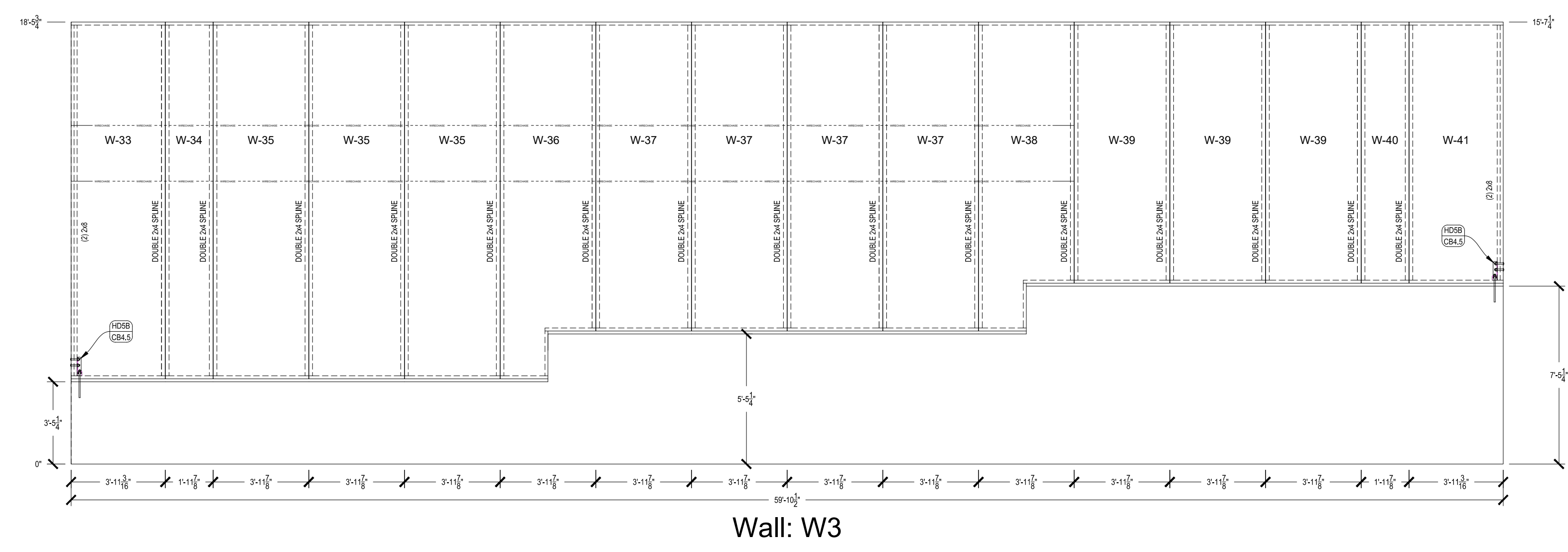
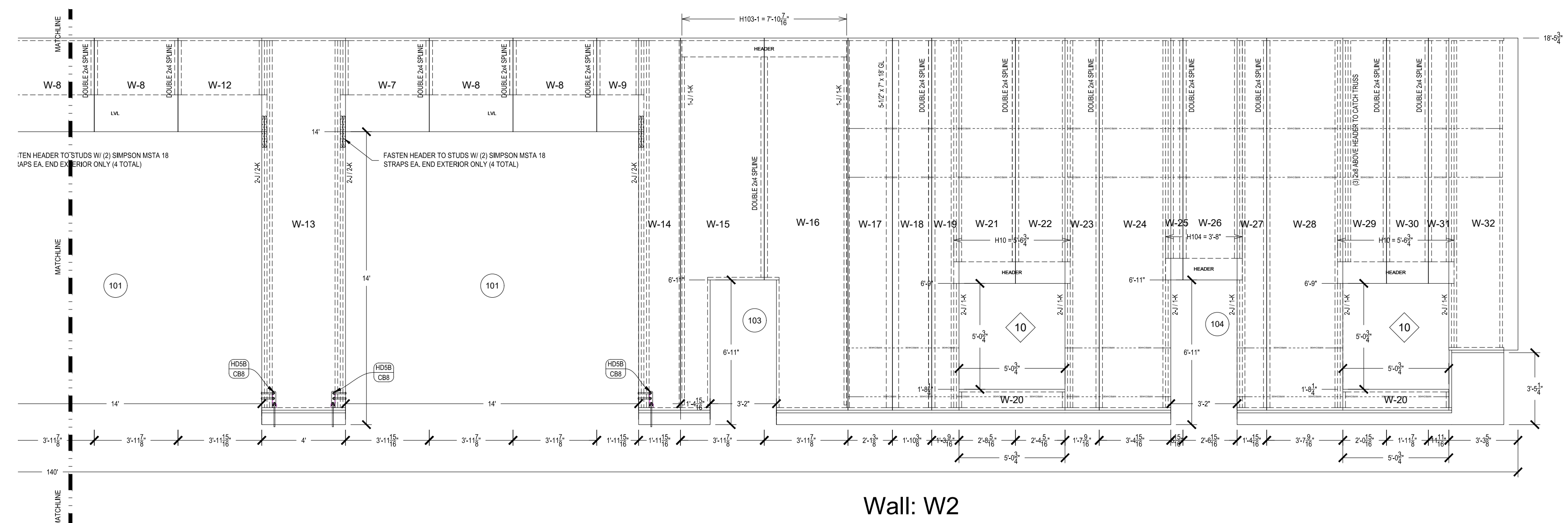
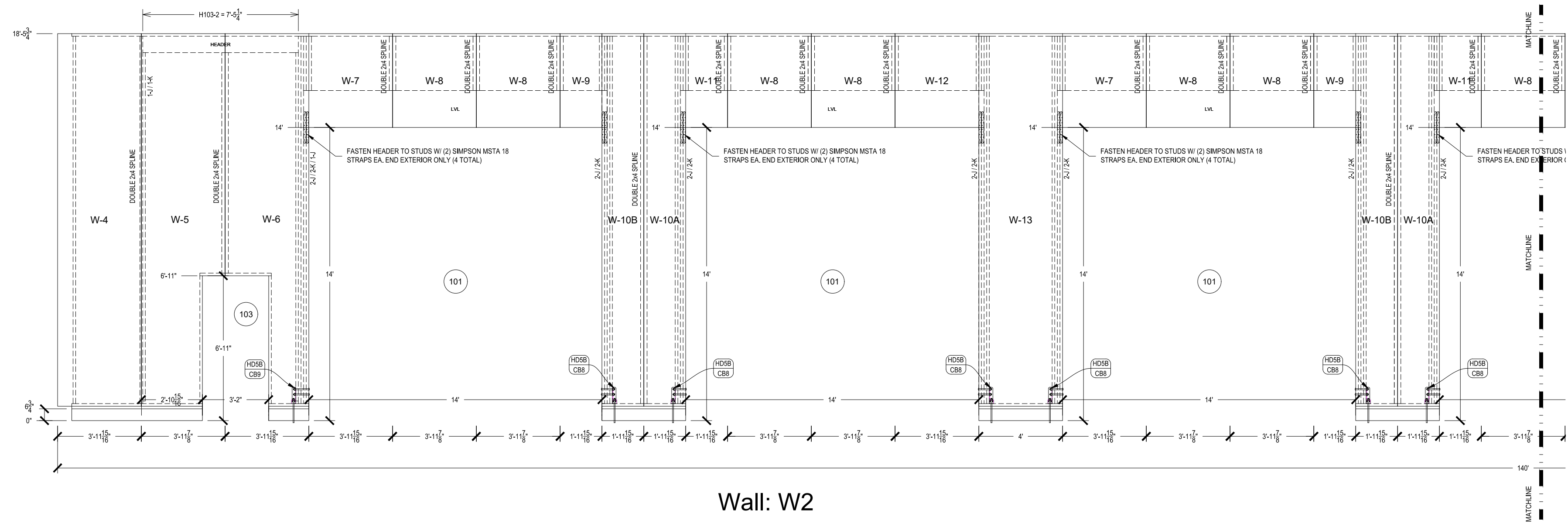
PROJECT TITLE:
WILLIAMS ELECTRIC OFFICE &
RENTAL PROPERTY
SOLID CORE/LADDER FRAME
BUILDING PACKAGE

PANEL ELEVATIONS

PROJECT STATUS:
FINAL DRAWINGS

SHEET:
S4.10

- SHEAR WALL HOLDDOWNS**
-  SIMPSON HDB BASE ANCHOR, FASTEN TO STUDS WITH (3) 3/8" BOLTS, FASTEN TO CONCRETE WITH (1) 3/8" EMBEDMENT THREADED ROD, EPOXY IN PLACE W/ SIMPSON AT 3-0".
 -  SIMPSON HDB BASE ANCHOR, FASTEN TO STUDS WITH (2) 3/8" BOLTS, FASTEN TO CONCRETE WITH (1) 3/8" EMBEDMENT THREADED ROD, EPOXY IN PLACE W/ SIMPSON AT 3-0".
 -  NOTE LOWER NOTE DENOTES BOLT TYPE & LENGTH
CB - CARTRIDGE BOLT, NB - MACHINE BOLT



PROJECT NUMBER:
2024/SC/IA91160

CUSTOMER SERVICE:
STEVEN D.

DRAWN BY:
BRENT W.

REVIEWED BY:
DAVE M.

DATE:
3/7/2024

REVISIONS:
6/6/2024

Print Date: 6/06/2024




DEALER:
JAMES FOWLER CONTRACTING

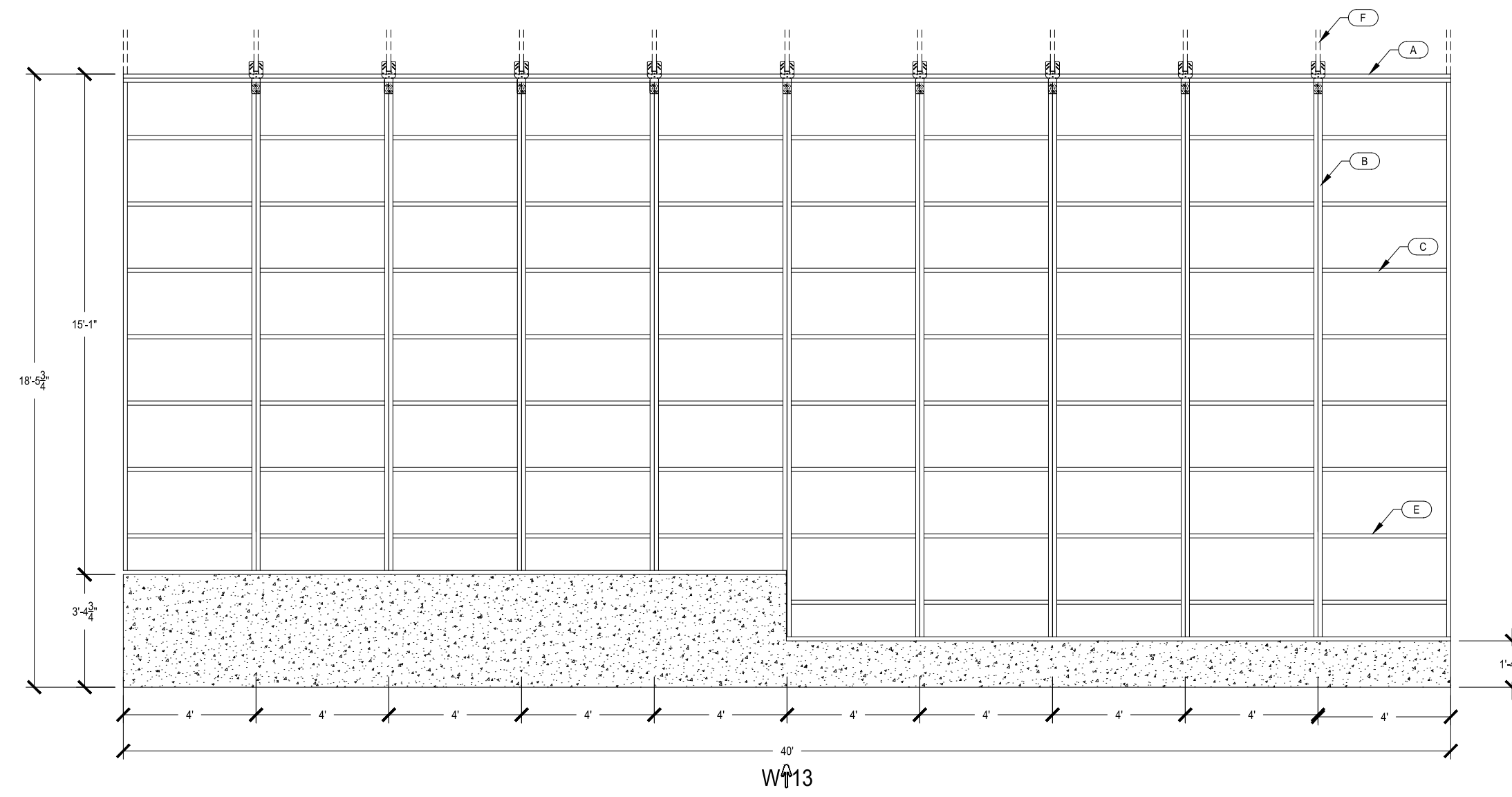
PROJECT TITLE:
WILLIAMS ELECTRIC OFFICE &
RENTAL PROPERTY
SOLID CORE/LADDER FRAME
BUILDING PACKAGE

SHEET TITLE:
PANEL ELEVATIONS

PROJECT STATUS:
FINAL DRAWINGS

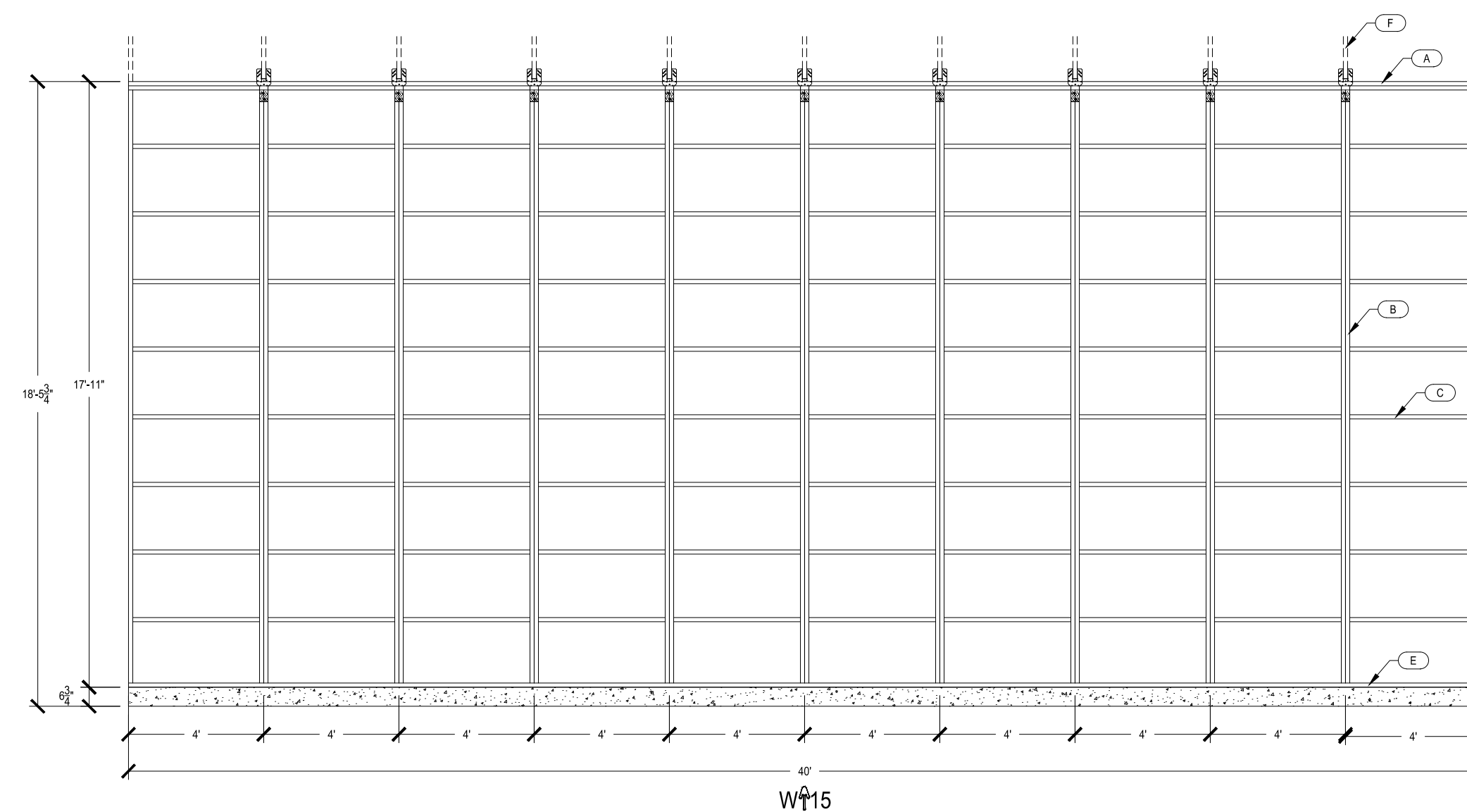
SHEET:
S4.11

SHEAR WALL HOLDDOWNS	
	SIMPSON HDB BASE ANCHOR, FASTEN TO STUDS WITH (3) 3/8" BOLTS, FASTEN TO CONCRETE WITH (1) 3/4" EMBEDMENT THREADED ROD, EPOXY IN PLACE W/ SIMPSON AT-3010.
	SIMPSON HDB BASE ANCHOR, FASTEN TO STUDS WITH (2) 3/8" BOLTS, FASTEN TO CONCRETE WITH (1) 3/4" EMBEDMENT THREADED ROD, EPOXY IN PLACE W/ SIMPSON AT-3010.
	NOTE LOWER NOTE DENOTES BOLT TYPE & LENGTH CB - CARRIAGE BOLT, MB - MACHINE BOLT

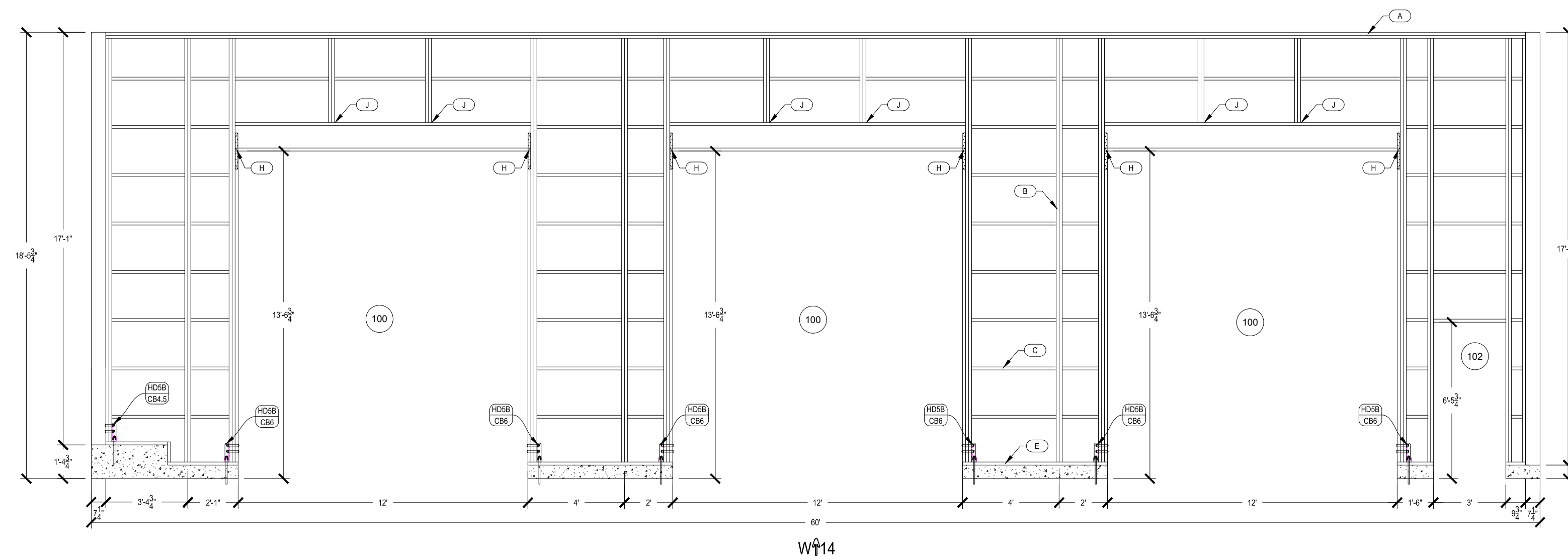


1 SIDEWALL PANEL ELEVATION
SCALE: 1/4" = 1'-0"

- A. SP MSR2400 2x6 CONTINUOUS DOUBLE TOP PLATE, CUT FROM 16 PCS.
 - B. SP MSR2400 2x6 DOUBLE STUD 4' O.C. BUILD 4' SECTIONS AS "LADDER FRAMES"
 - C. SPF2x4x8 "LADDER FRAME" RAILERS 24' O.C. CUT CORNER & GUD BAYS FROM 16 PCS.
 - E. TREATED 5x12 2x6 BASE PLATE, SILL SEAL BENEATH
 - F. TRUSSES 4' O.C., SEE S1.50 FOR LAYOUT
 - G. HEADER, SEE S1.11 FOR SIZING
 - H. FASTEN HEADER TO STUDS W/ (1) SIMPSON MESA 18 STRAP EACH SIDE OF EACH END (4 TOTAL)
 - J. FASTEN 2x4 STUD TO HEADER W/ (1) SIMPSON ASS ANGLE SEE HEADER DETAIL.
- REFER TO DETAIL 258.0 FOR FASTENING NOT SPECIFIED ABOVE



2 SIDEWALL PANEL ELEVATION
SCALE: 1/4" = 1'-0"



3 ENDWALL PANEL ELEVATION
SCALE: 1/4" = 1'-0"

PROJECT NUMBER:
2024/SC/IA91160

CUSTOMER SERVICE:
STEVEN D.
DRAWN BY:
BRENT W.
REVIEWED BY:
DAVE M.

DATE:
3/7/2024

REVISIONS:
6/6/2024

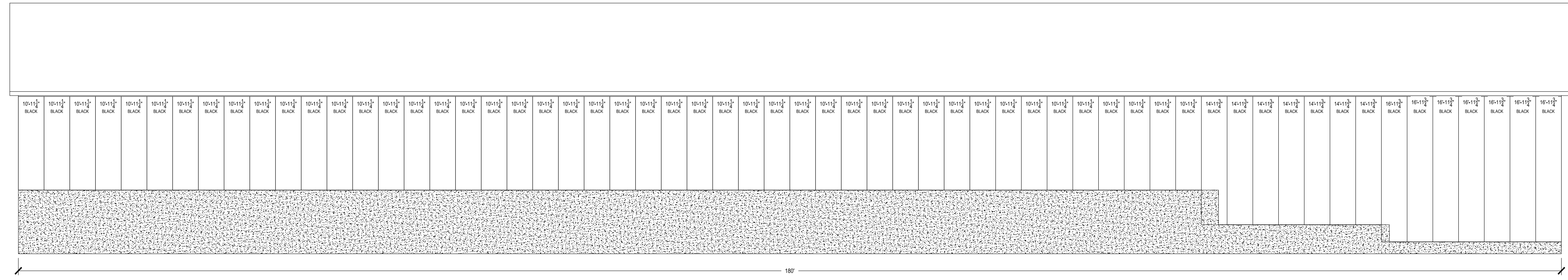
Print Date: 6/06/2024

DEALER:
JAMES FOWLER CONTRACTING
PROJECT TITLE:
WILLIAMS ELECTRIC OFFICE &
RENTAL PROPERTY
SOLID CORE/LADDER FRAME
BUILDING PACKAGE

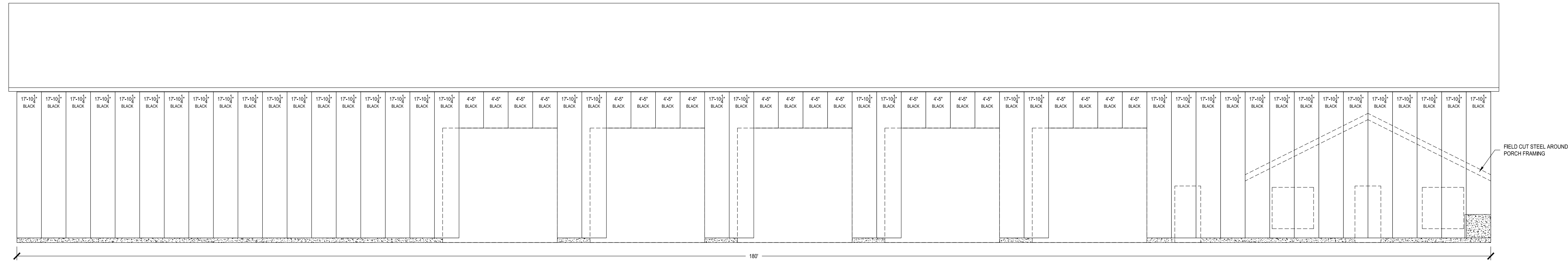
SHEET TITLE:
**PANEL
ELEVATIONS**

PROJECT STATUS:
FINAL
DRAWINGS

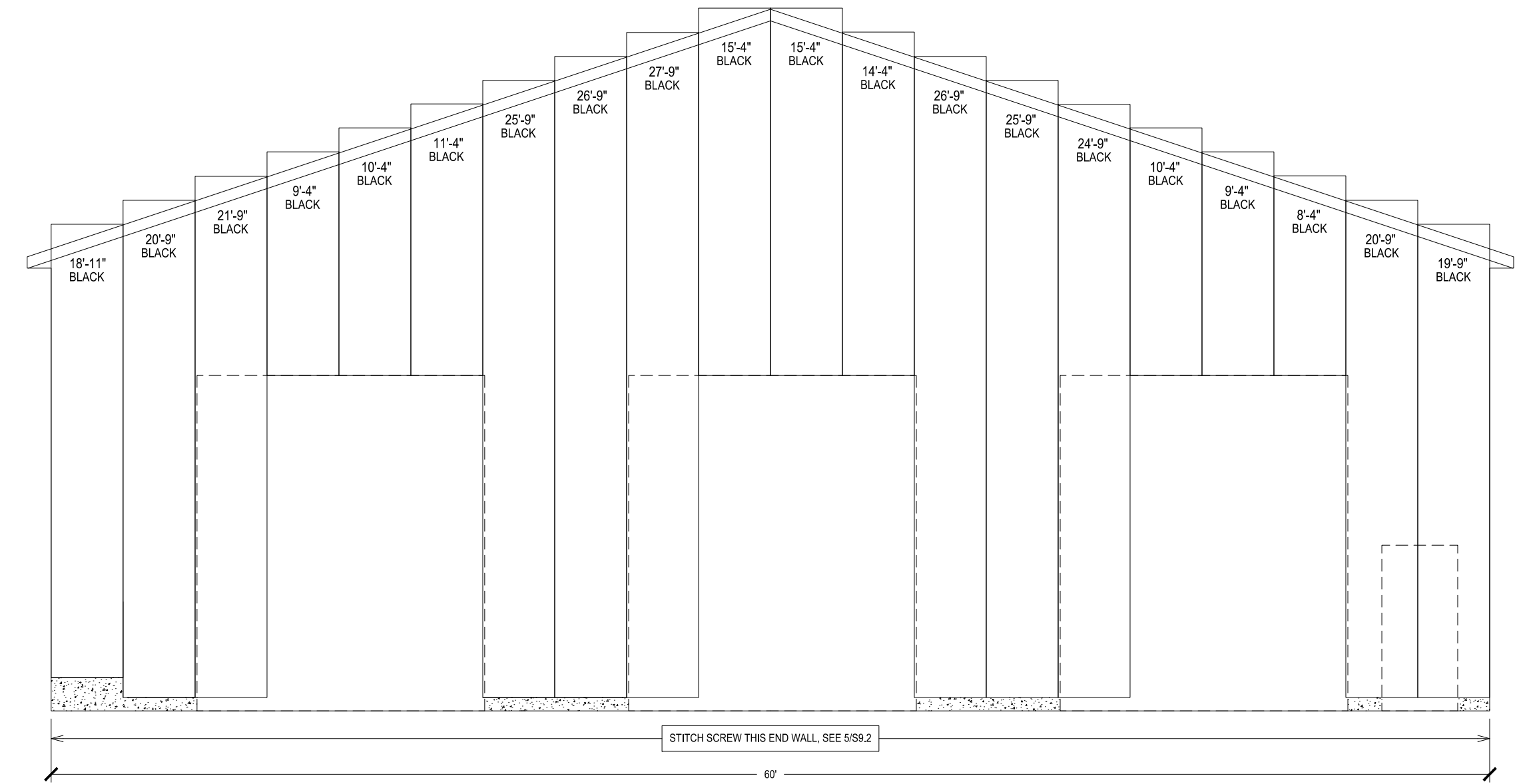
SHEET:
S4.12



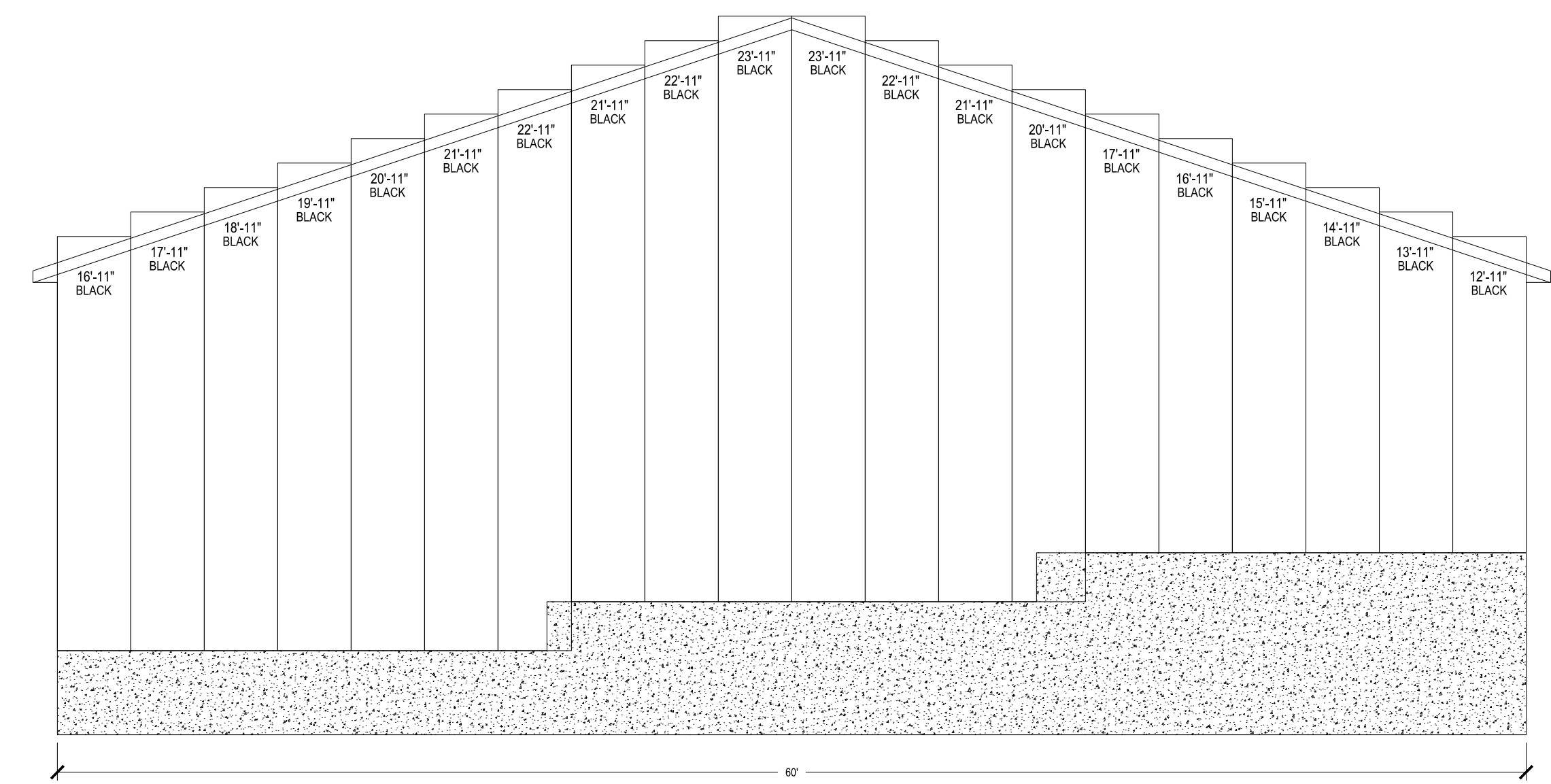
1 SIDEWALL STEEL LAYOUT
SCALE: 1/8" = 1'-0"



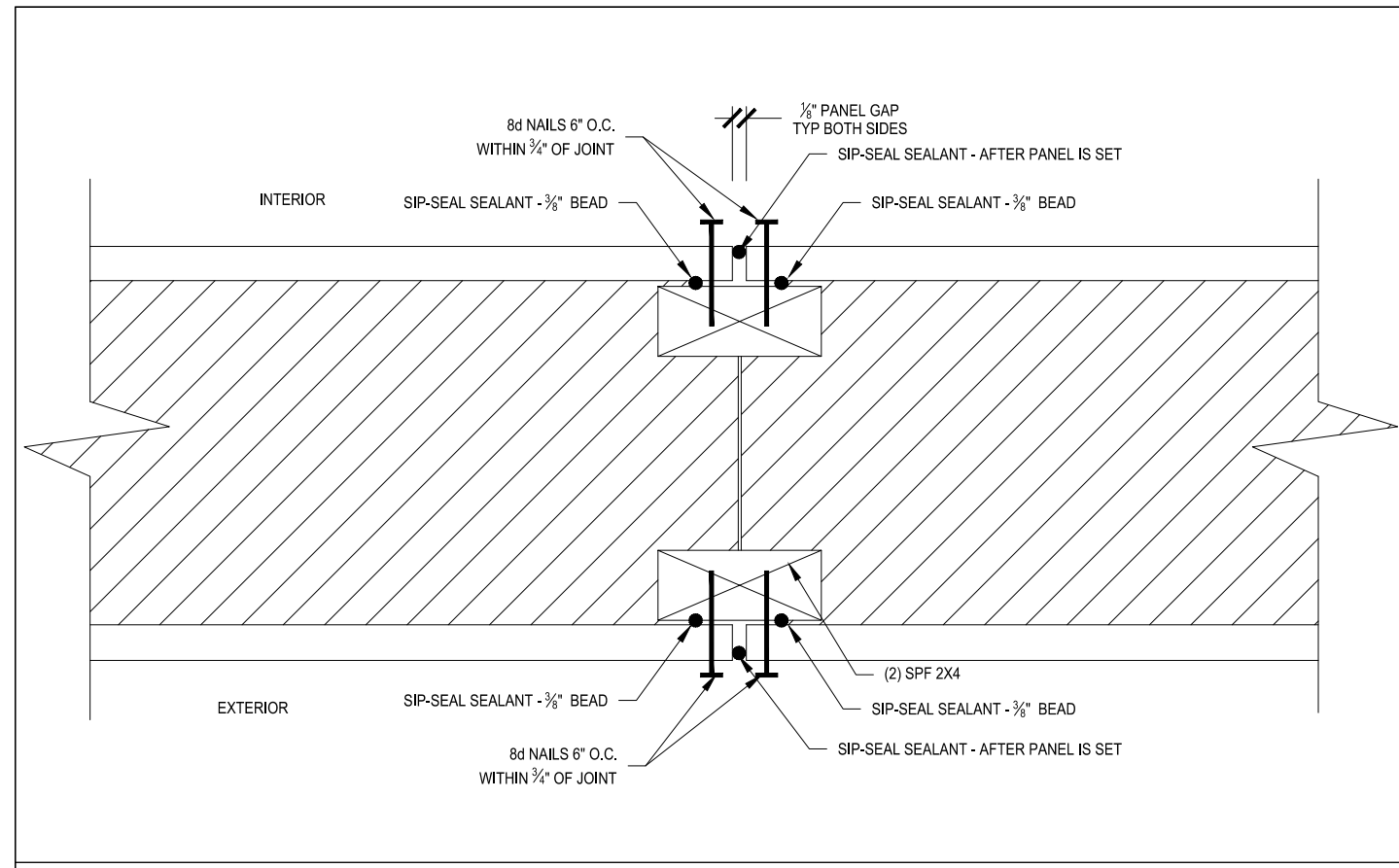
2 SIDEWALL STEEL LAYOUT
SCALE: 1/8" = 1'-0"



3 ENDWALL STEEL LAYOUT
SCALE: 3/16" = 1'-0"



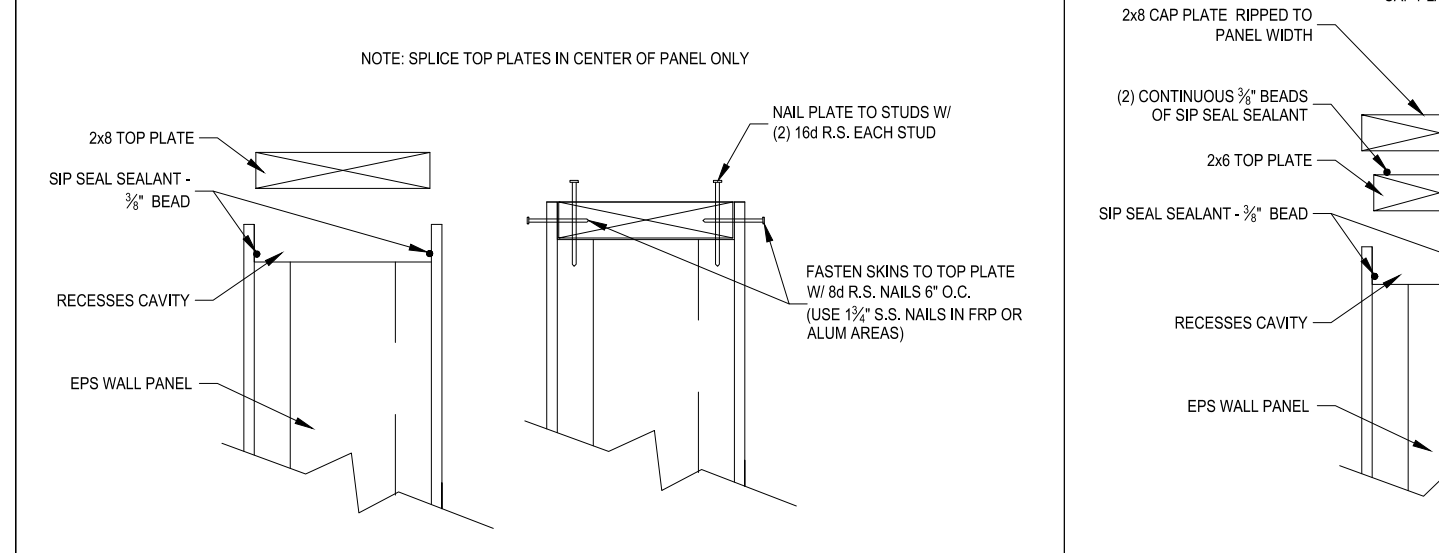
4 ENDWALL STEEL LAYOUT
SCALE: 3/16" = 1'-0"



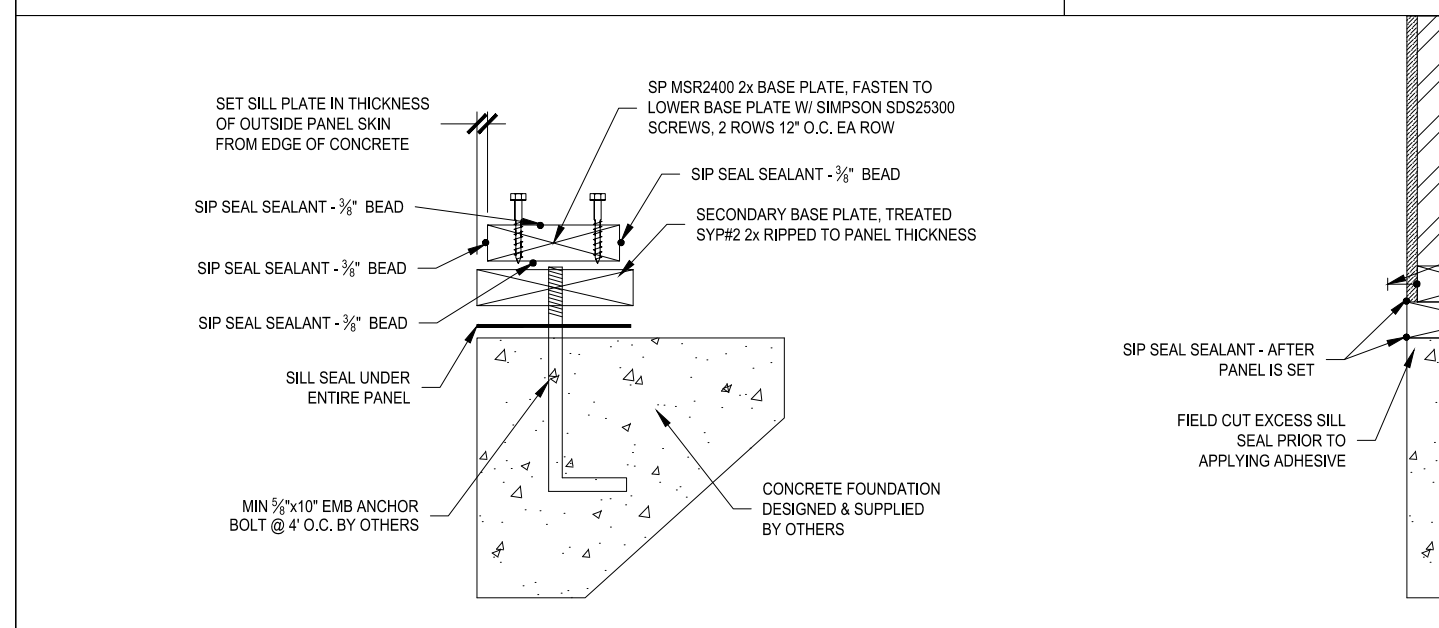
1 - PANEL / PANEL CONNECTION



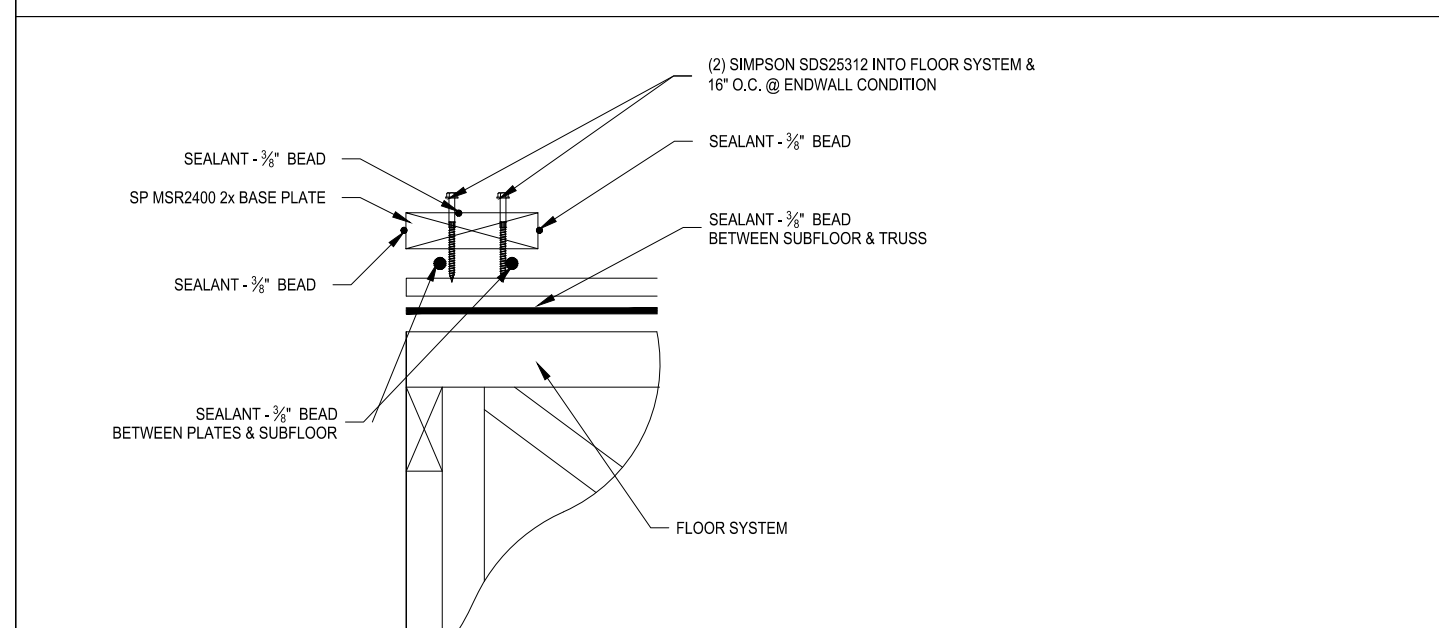
5 - CORNER CONNECTION (SHOP)



2 - TOP PLATE CONNECTION

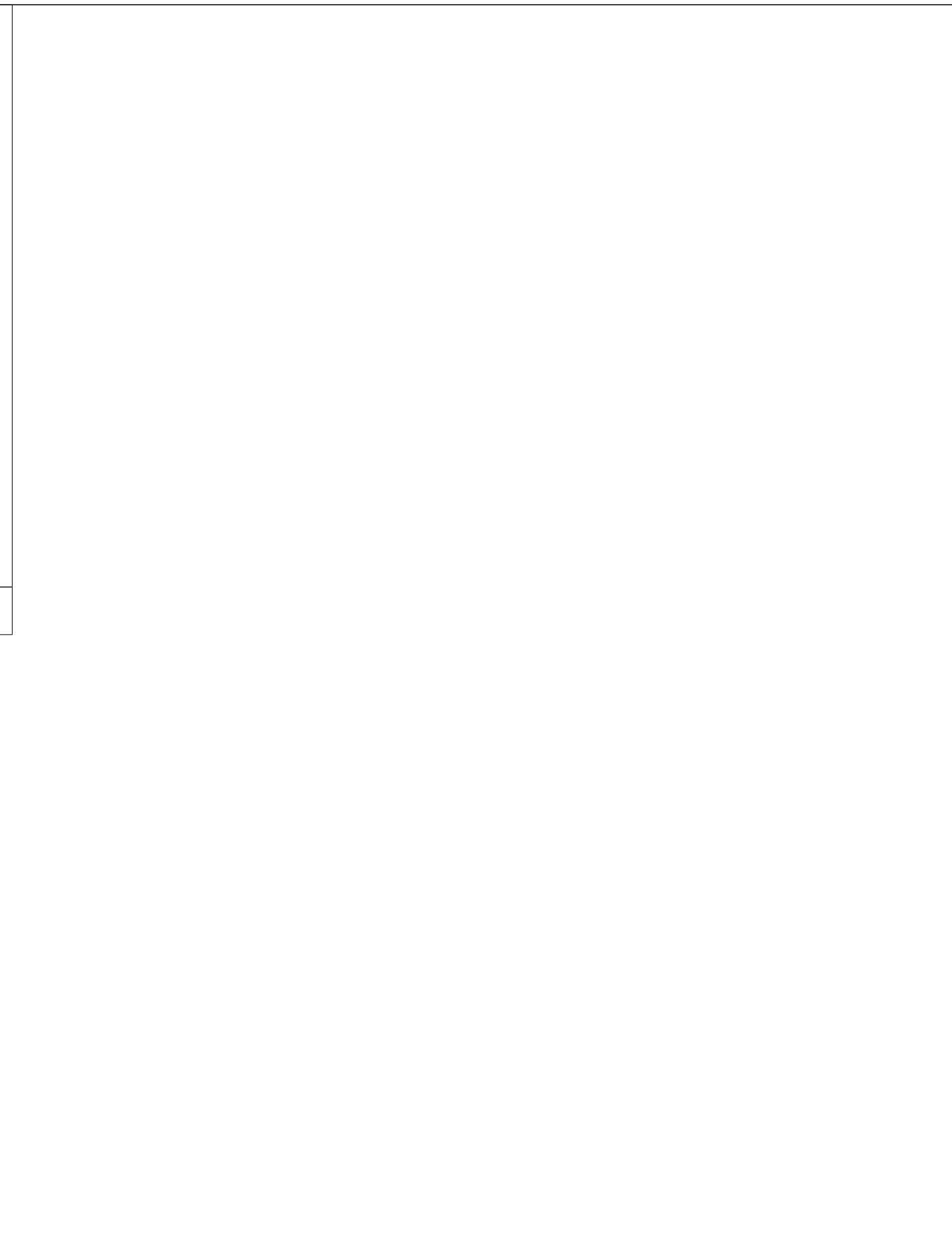


2B - TOP PLATE CONNECTION

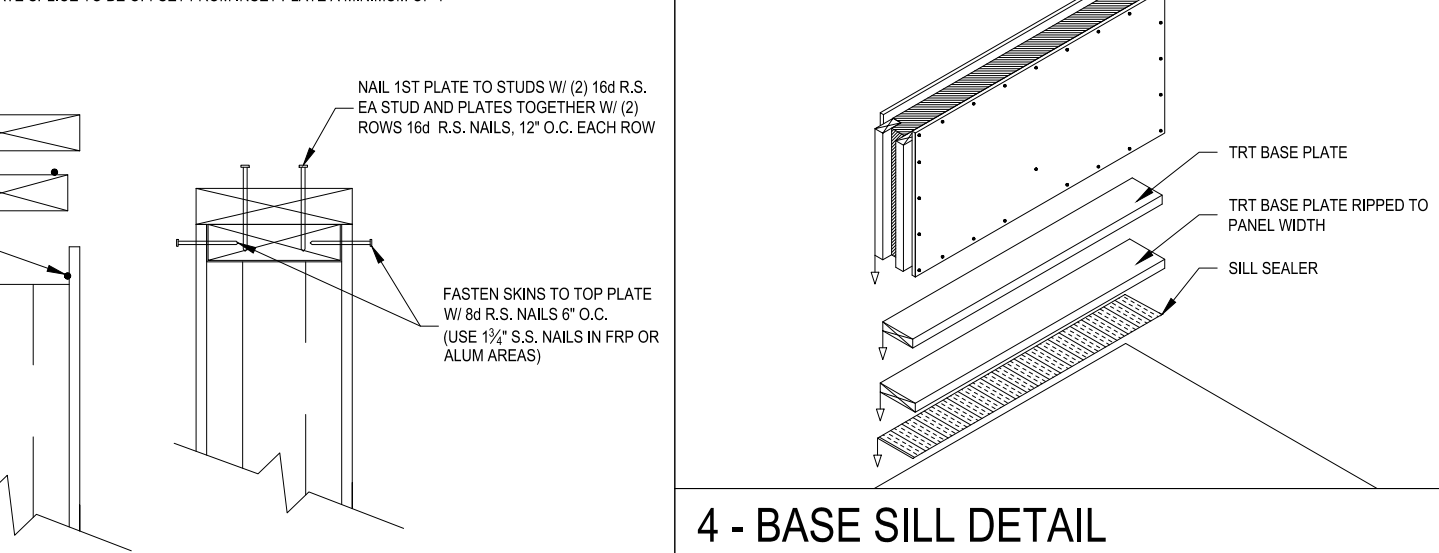


3 - BASE PLATE CONNECTION

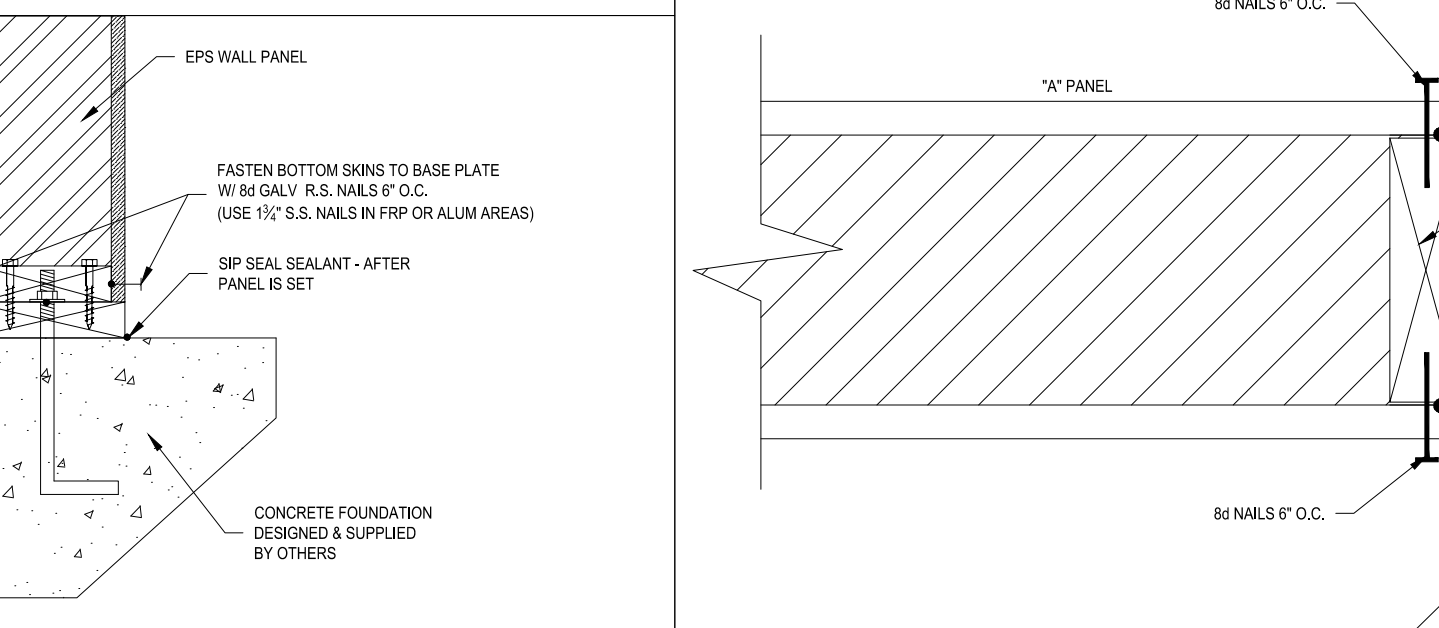
NOTE: ADHERE VAPOR TAPE TO A SURFACE THAT IS FREE OF DIRT, DUST AND OILY RESIDUE. GRADUALLY PEEL AND STICK THE TAPE IN INCREMENTS OF 2' OR LESS AND WORK FROM THE CENTER OF THE TAPE TO THE OUTSIDE EDGE TO ELIMINATE WRINKLES. A WRINKLE FREE INSTALLATION IS NECESSARY TO INSURE PROPER PERFORMANCE. USING A J-ROLLER, DRYWALL BLADE OR HARD SQUEEGEE, APPLY PRESSURE TO FULLY CONTACT THE ADHESIVE TO THE BONDING SURFACE. STORE VAPOR TAPE IN ITS ORIGINAL PACKAGING AT TEMPERATURES LOWER THAN 90 DEGREES F AND FREE OF EXCESSIVE DUST AND DIRT.



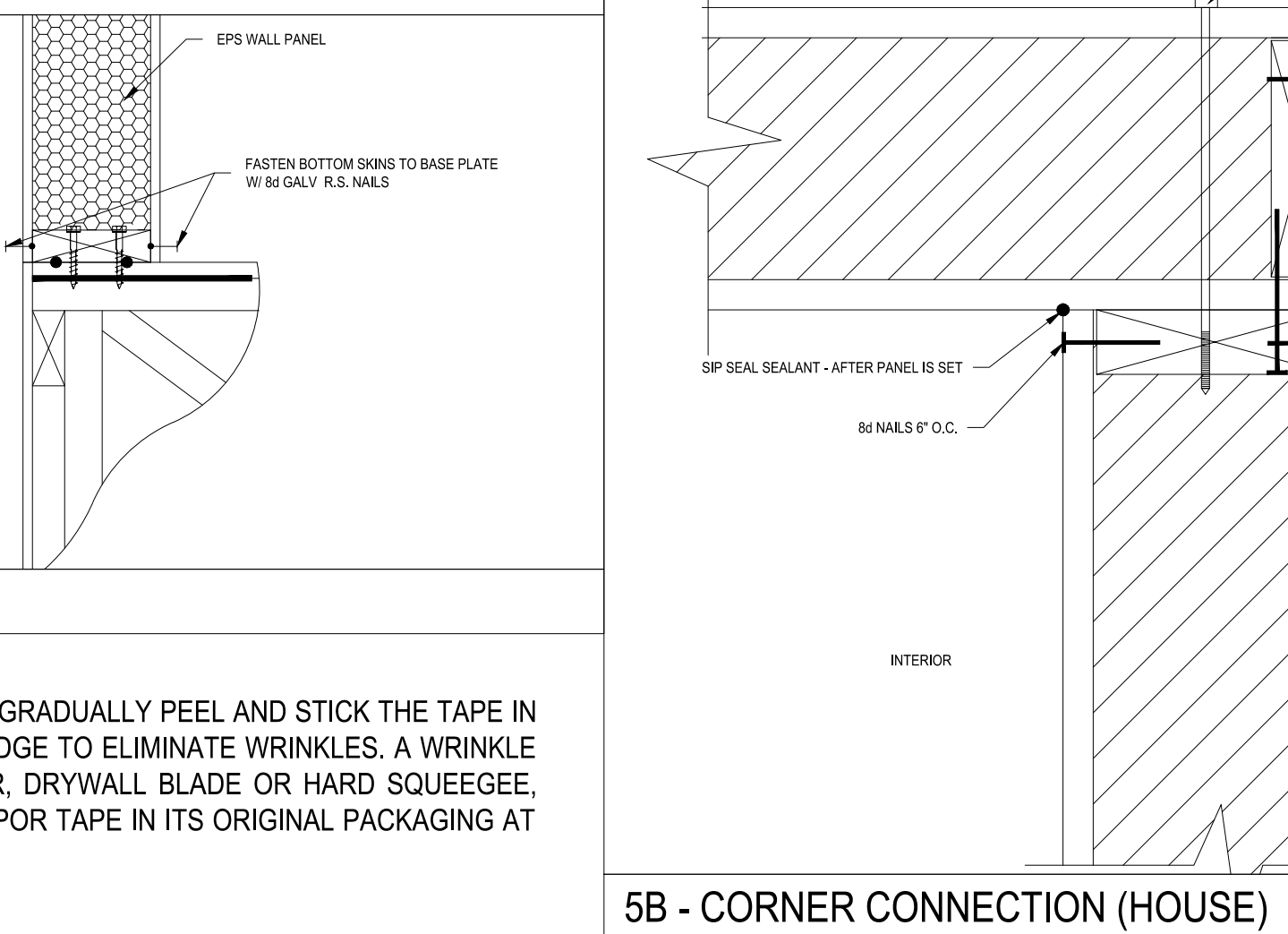
4 - BASE SILL DETAIL



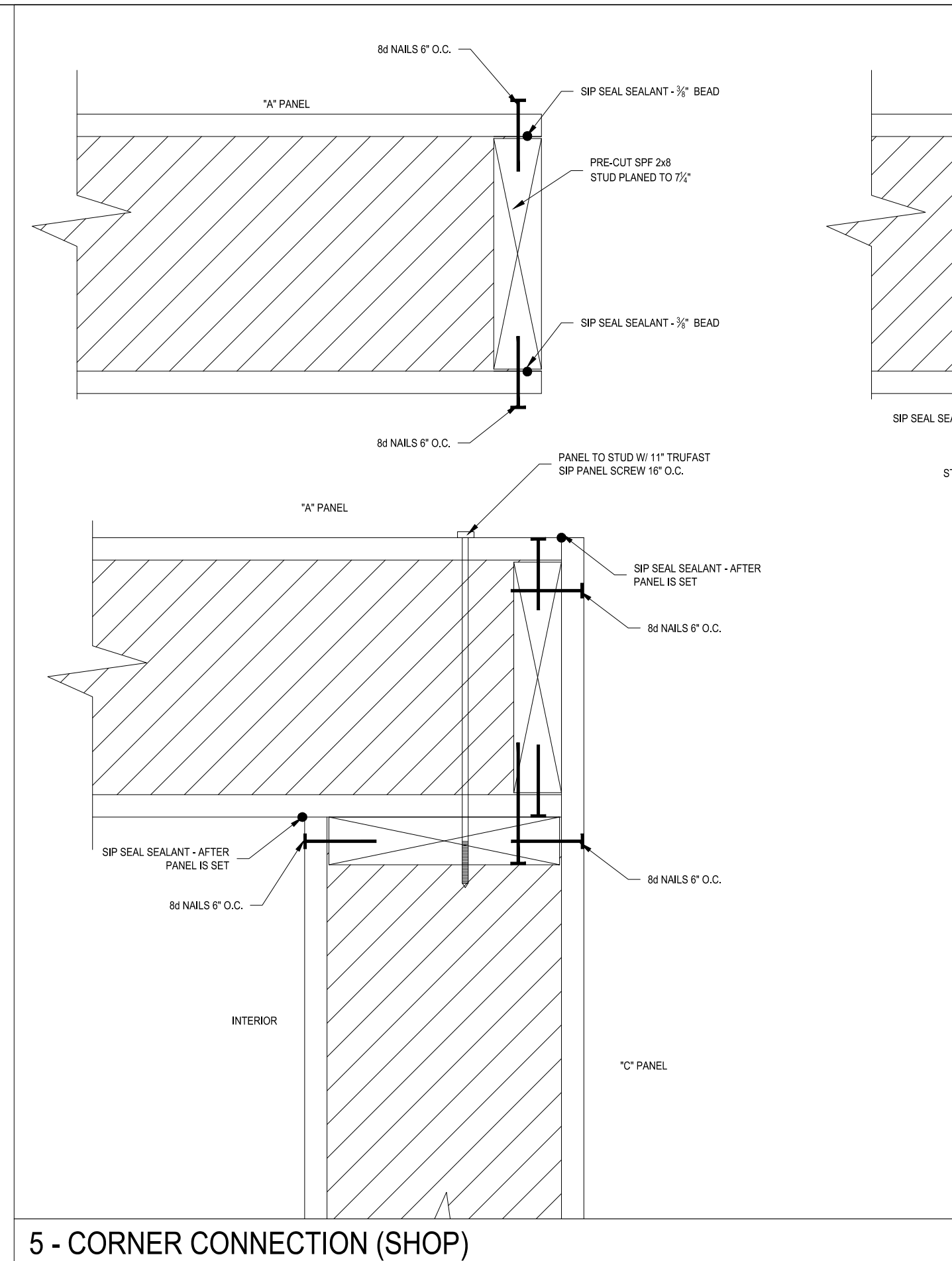
4B - BASE SILL DETAIL



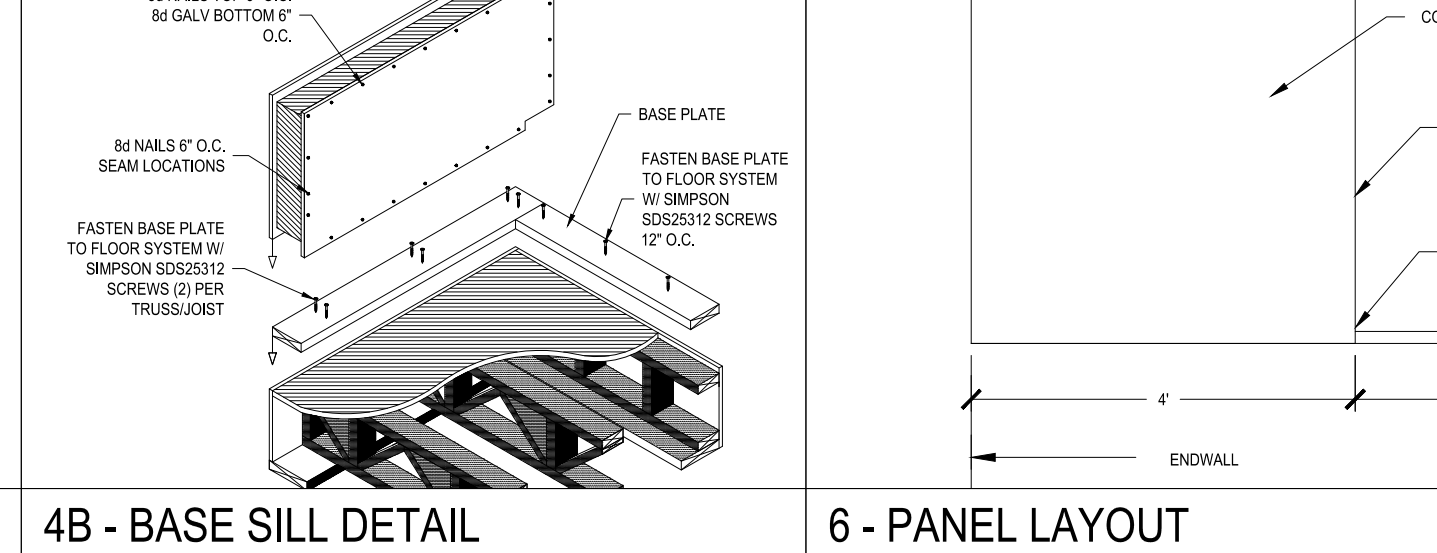
6 - PANEL LAYOUT



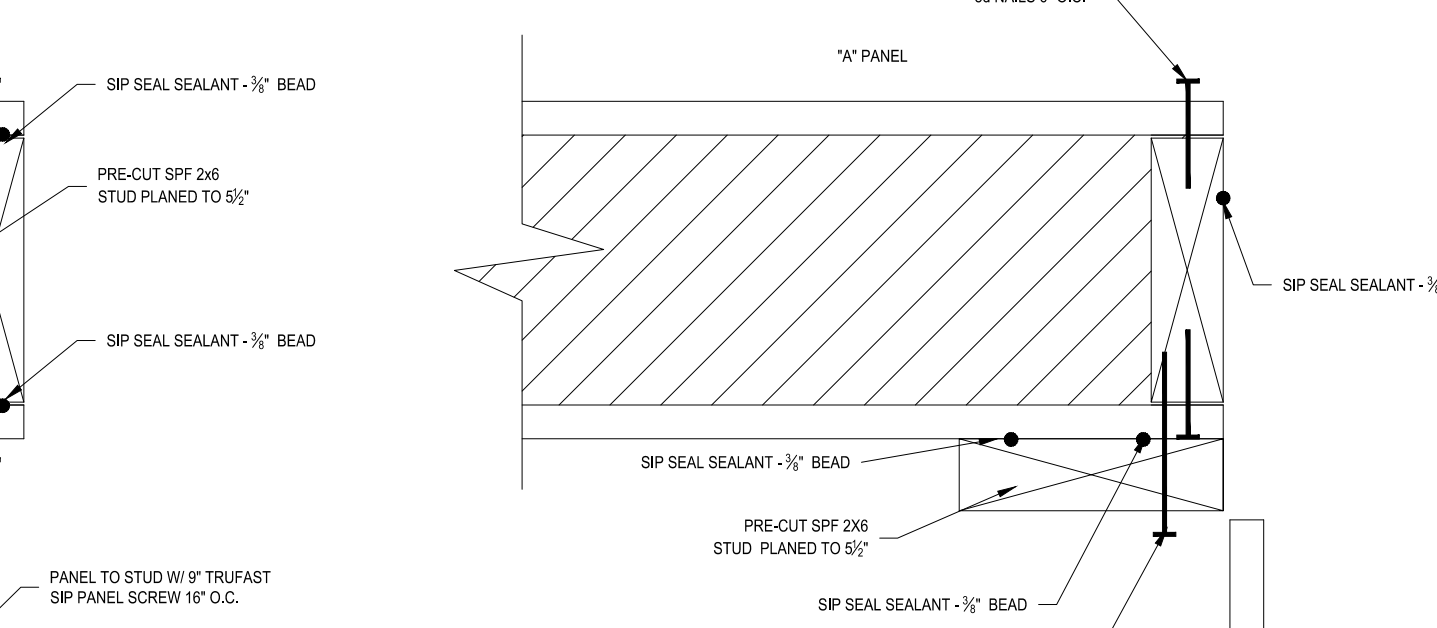
5B - CORNER CONNECTION (HOUSE)



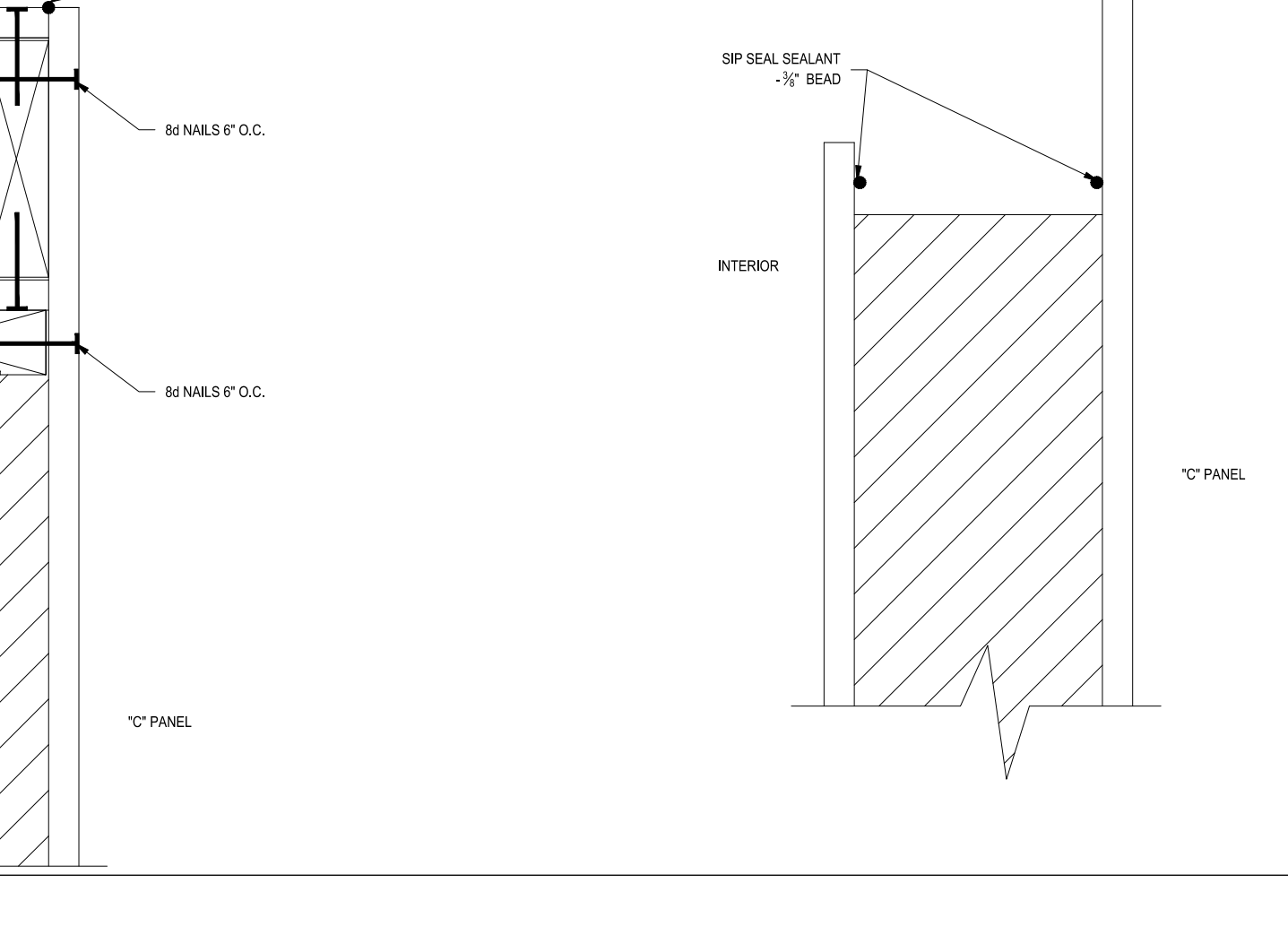
5 - CORNER CONNECTION (SHOP)



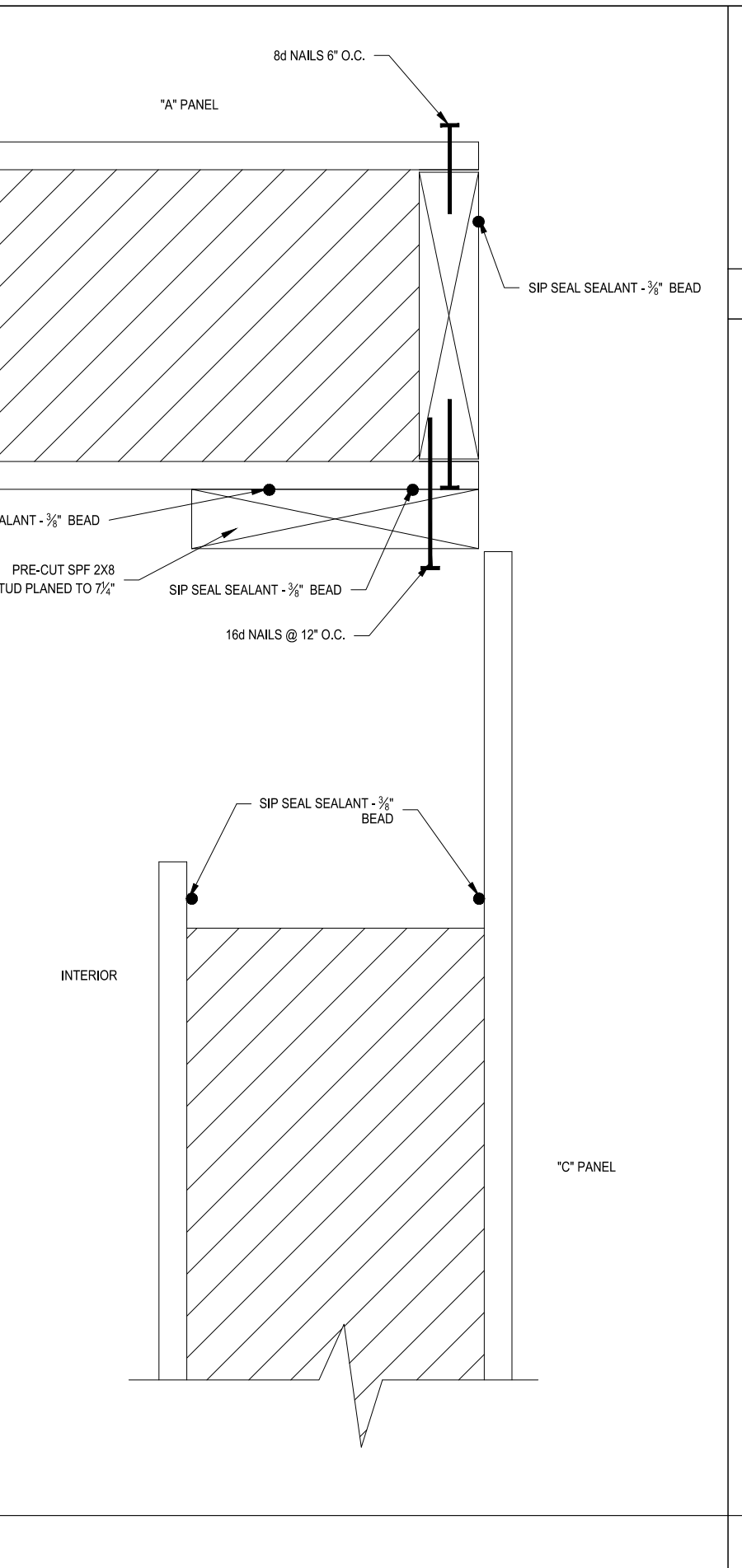
6 - PANEL LAYOUT



5B - CORNER CONNECTION (HOUSE)



5C - CORNER CONNECTION



11 - MULTIPLE LVL FASTENING

GUN NAIL SUBSTITUTION	
HAND DRIVE	GUN NAIL
8d NAIL	.113\"/>

BUILT-UP WOOD HEADER / BEAM FASTENING SCHEDULE		
DIMENSION LUMBER		
PLYS	DEPTH	FASTENERS
2 PLY	D < 8"	10d NAILS 2 ROWS @ 12" O.C.
	D ≥ 8"	10d NAILS 3 ROWS @ 12" O.C.
3 PLY	D < 8"	10d NAILS 2 ROWS @ 12" O.C.
	D ≥ 8"	16d NAILS 3 ROWS @ 12" O.C.
LVL		
PLYS	DEPTH	FASTENERS
2 PLY	D < 12"	16d NAILS 2 ROWS @ 12" O.C.
	12 < D ≤ 18"	16d NAILS 3 ROWS @ 12" O.C.
2 PLY	D > 18"	16d NAILS 4 ROWS @ 12" O.C.
	D < 14"	16d NAILS 2 ROWS @ 12" O.C.
3 PLY	14 < D ≤ 20"	16d NAILS 3 ROWS @ 12" O.C.
	D > 20"	16d NAILS 4 ROWS @ 12" O.C.
4 PLY	D ≤ 16"	0.22 x 61/2" SIMPSON SON ENR-PLY SCREWS SDW2024 2 ROWS @ 18" O.C.
	D > 16"	0.22 x 61/2" SIMPSON SON ENR-PLY SCREWS SDW2024 3 ROWS @ 18" O.C.

- FOR 2 PLY MEMBERS ALL FASTENERS ARE TO BE INSTALLED FROM SAME SIDE
- FOR 3 PLY MEMBERS SAME FASTENERS ARE INSTALLED @ EACH FACE. STAGGER LAYOUT. FASTENER SPACING FROM ONE FACE TO THE OTHER
- FOR 4 PLY MEMBERS ALL FASTENERS ARE TO BE INSTALLED FROM SAME FACE

11 - MULTIPLE LVL FASTENING



ENERGY PANEL STRUCTURES
102 EAST INDUSTRIAL PARK
GRAETTINGER, LA 51342
PHONE: 712-859-3219
FAX: 712-859-3275
WWW.EPSBUILDINGS.COM

PROJECT NUMBER:
2024/SC/IA91160

CUSTOMER SERVICE:
STEVEN D.

DRAWN BY:
BRENT W.

REVIEWED BY:
DAVE M.

DATE:
3/7/2024

REVISIONS:
6/6/2024

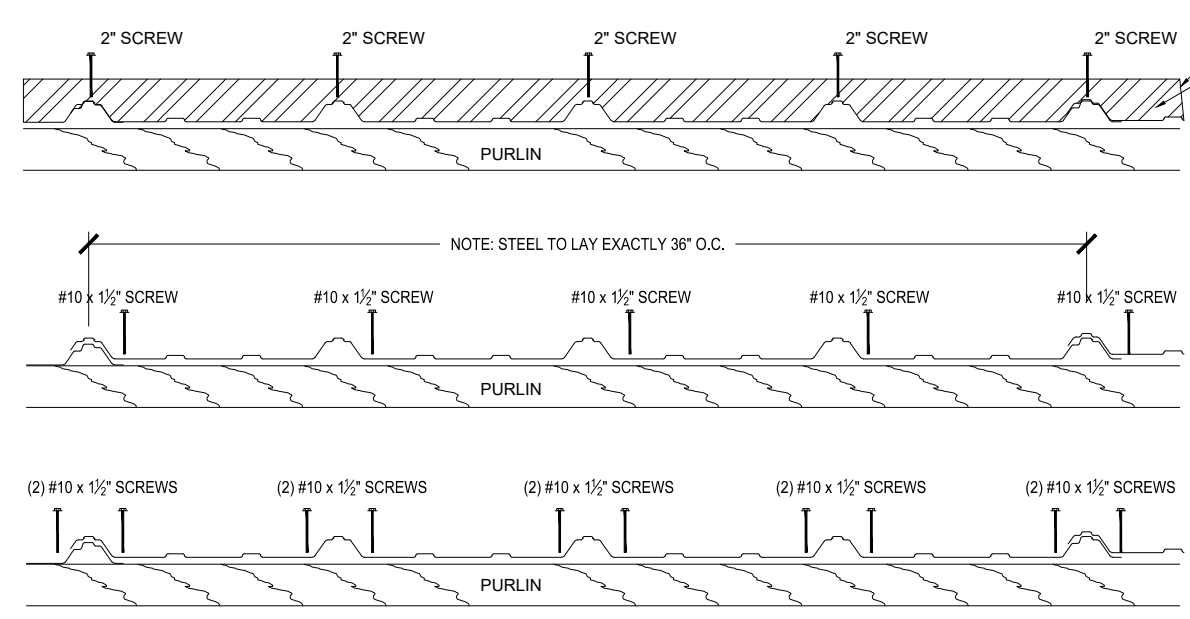
Print Date: 6/06/2024

DEALER:
JAMES FOWLER CONTRACTING
PROJECT TITLE:
WILLIAMS ELECTRIC OFFICE &
RENTAL PROPERTY
SOLID CORE/LADDER FRAME
BUILDING PACKAGE

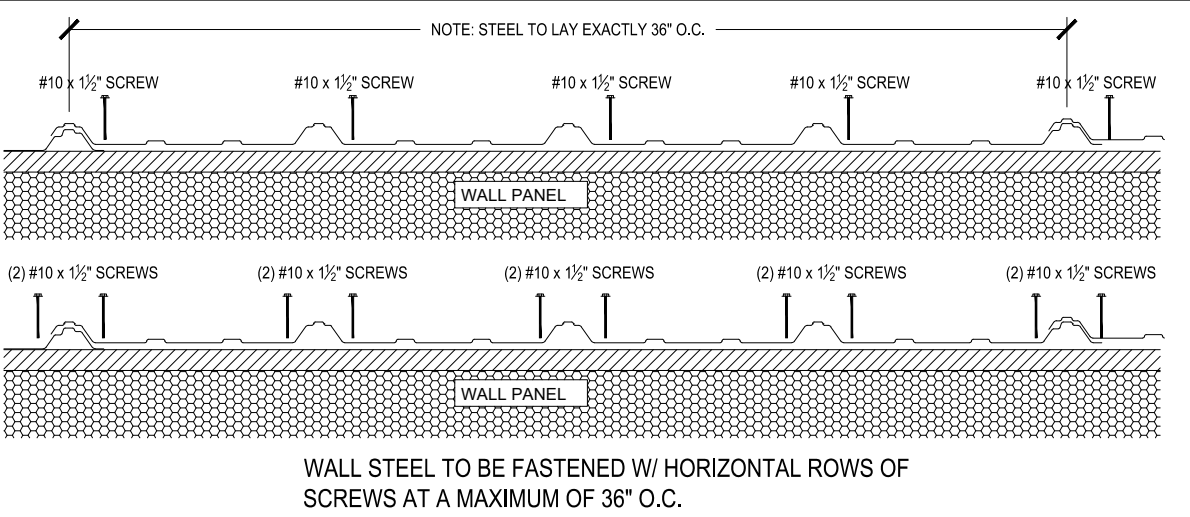
CONSTRUCTION
DETAILS

PROJECT STATUS:
FINAL
DRAWINGS

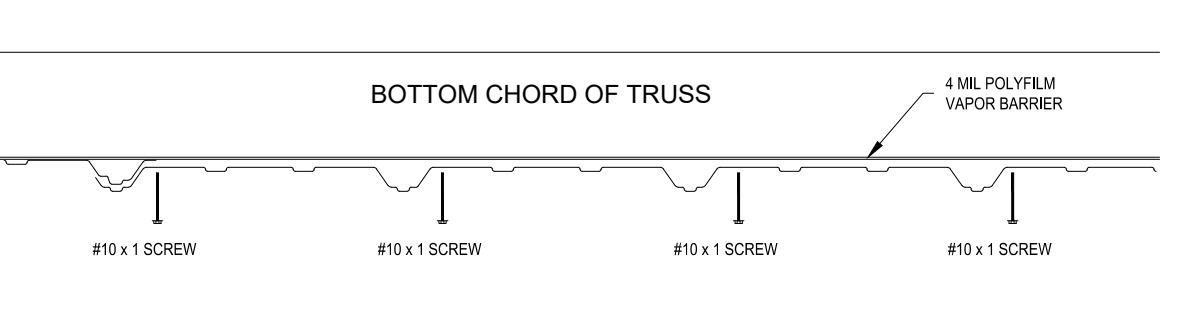
SHEET:
S9.0



1 - ROOF STEEL FASTENING



2 - WALL STEEL FASTENING



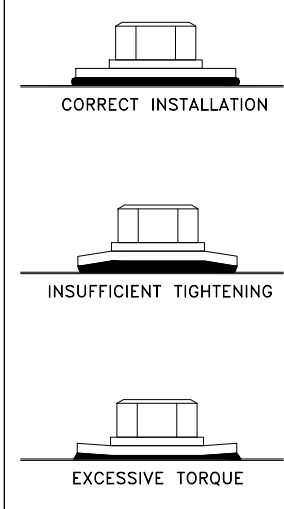
3 - CEILING STEEL FASTENING

TYPE OF FASTENER

DUAL GRIFF & EQUAL GRIFF SELF-DRILLING POST FRAME SCREWS

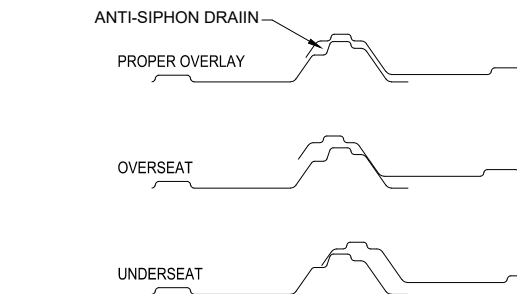
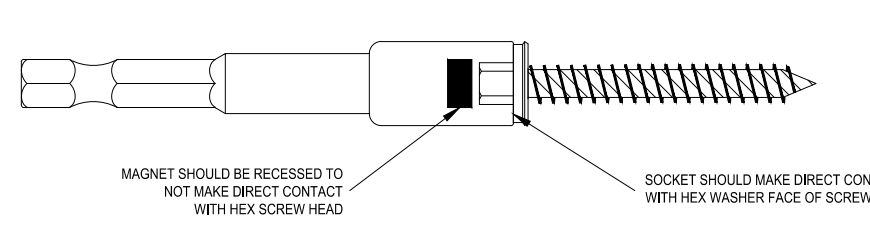
TOOL SELECTION
 AN ELECTRIC BATTERY TYPE SCREW-GUN WITH A VARIABLE SPEED OF 0-2000 RPM INCORPORATING A CLUTCH OR DEPTH SETTING FEATURE IS THE SUGGESTED TOOL. IMPACT TYPE TOOLS ARE NOT RECOMMENDED AND WILL DAMAGE SCREW FINISH DURING INSTALLATION.

DRIVER SELECTION
 USE A GOOD QUALITY, PROPERLY SIZED NUT DRIVER IN THE TOOL. DRIVER MAY BE OF THE MAGNETIC OR NON-MAGNETIC TYPE. IF USING THE MAGNETIC TYPE MAKE SURE THE MAGNET IS RECESSED ENOUGH SO THE SOCKET RESTS FIRMLY ON THE WASHER FACE OF THE SCREW. THE MAGNET CAN BE RECESSED FURTHER BY LIGHTLY HAMMERING A PUNCH ON TOP OF THE MAGNET TO DRIVE IT DEEPER INTO THE SOCKET. KEEP THE SOCKET FREE OF ALL DEBRIS, ESPECIALLY METAL FILINGS WHICH WILL EMBED INTO THE POINT PARTS OF THE SCREW DURING INSTALLATION. TO REMOVE DEBRIS, USE SOFT PUTTY OR BUTYL CONTAINER TO MINIMIZE DIRT ACCUMULATING IN THE SOCKET PRIOR TO USE. REPLACE DRIVERS REGULARLY TO ENSURE A GOOD FIT AND MINIMIZE DAMAGE CAUSED BY A WORN DRIVER.



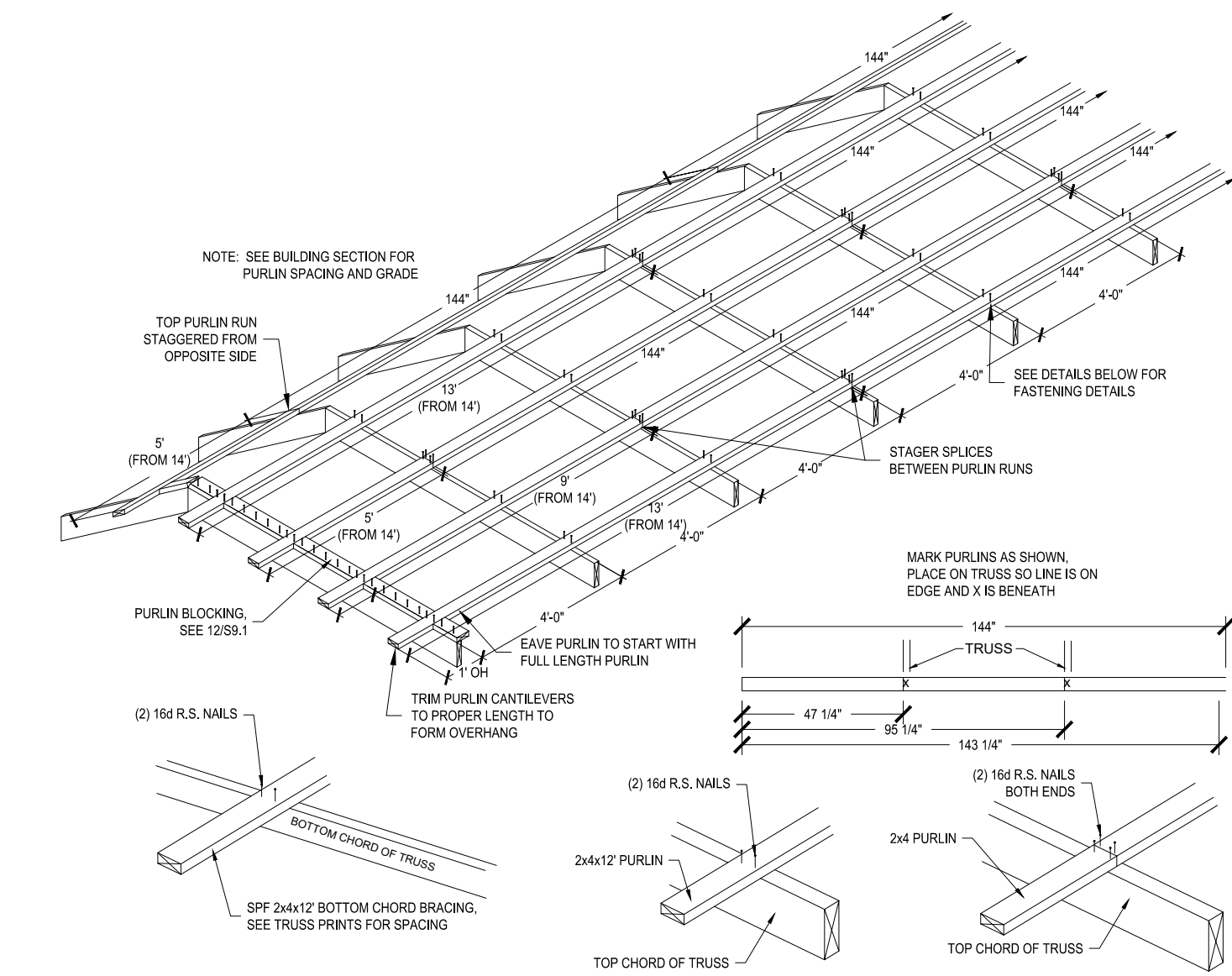
FASTENERS SHOULD BE DRIVEN AT 90° ANGLE TO THE SHEET TO INSURE THE SCREW AND WASHER SEAT PROPERLY TO THE METAL SHEET AFTER INSTALLATION. WASHER SHOULD NOT BE OVER UNDER-DRIVEN

CORRECT ANGLE **INCORRECT ANGLE**

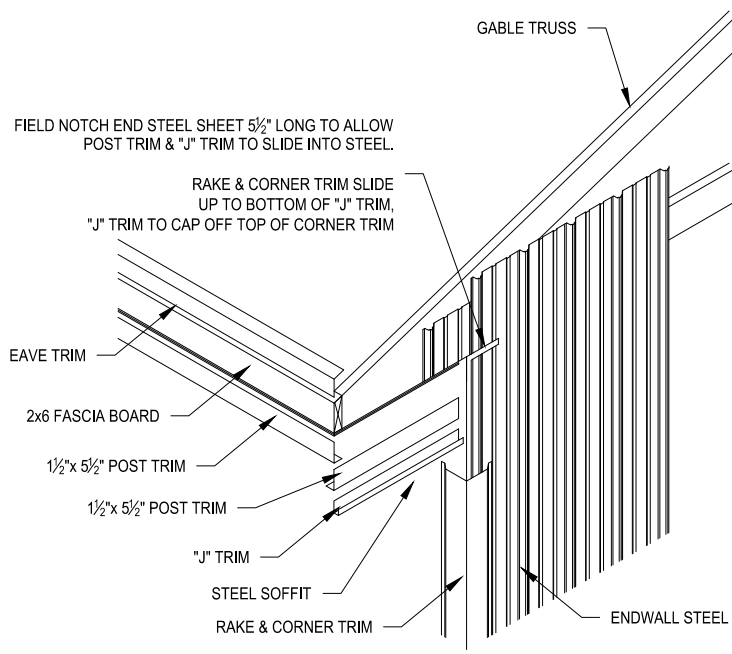


4 - ROOF, CEILING, & WALL SCREW INSTALLATION

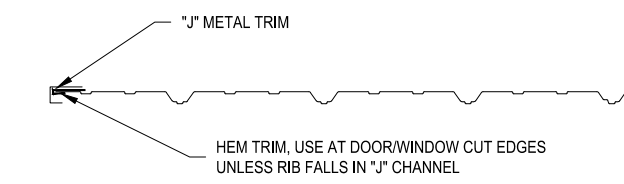
5 - STEEL LAP



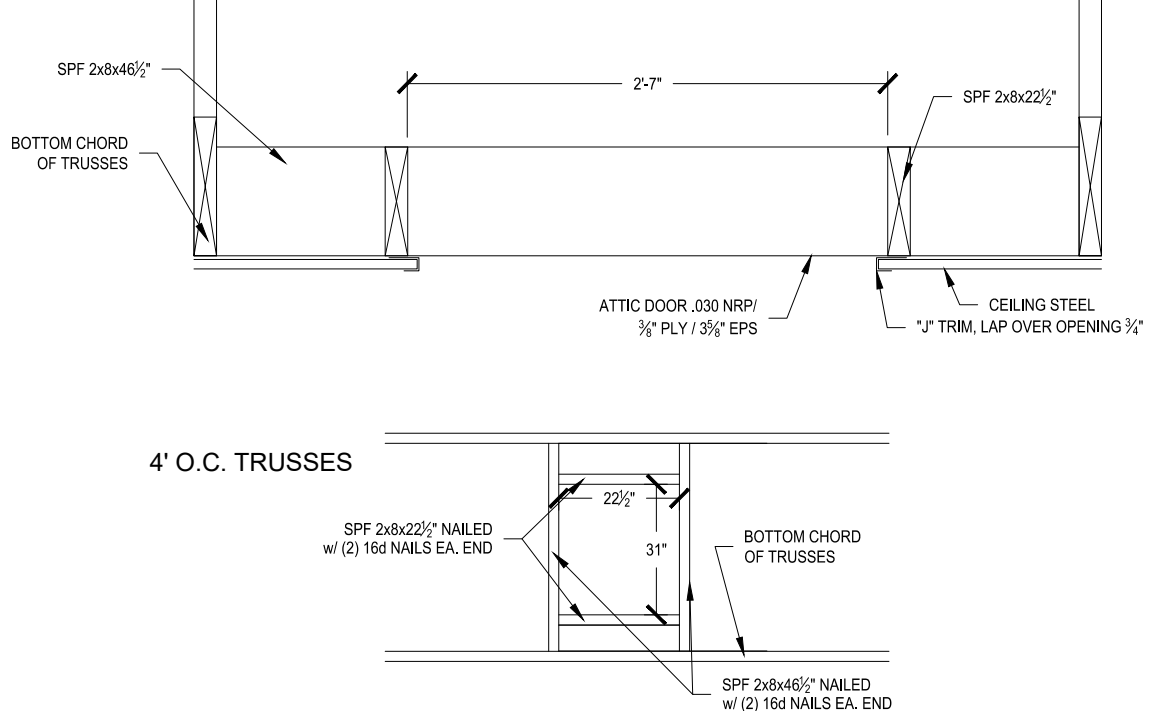
6 - 4' O.C. ROOF TRUSSES PURLIN CONNECTION



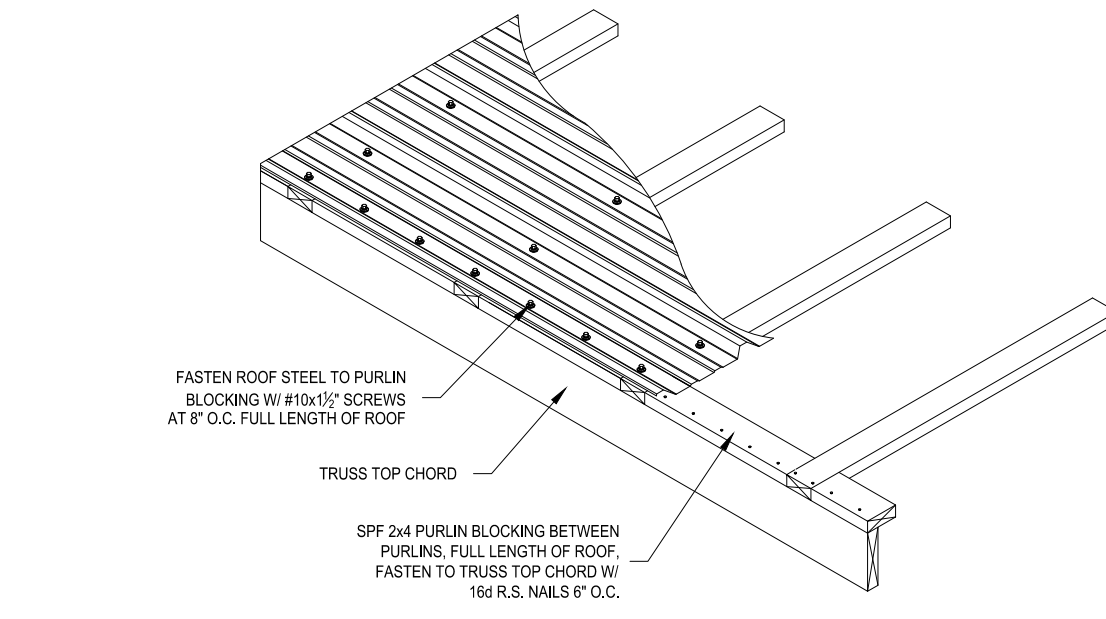
9 - HEM TRIM DETAIL



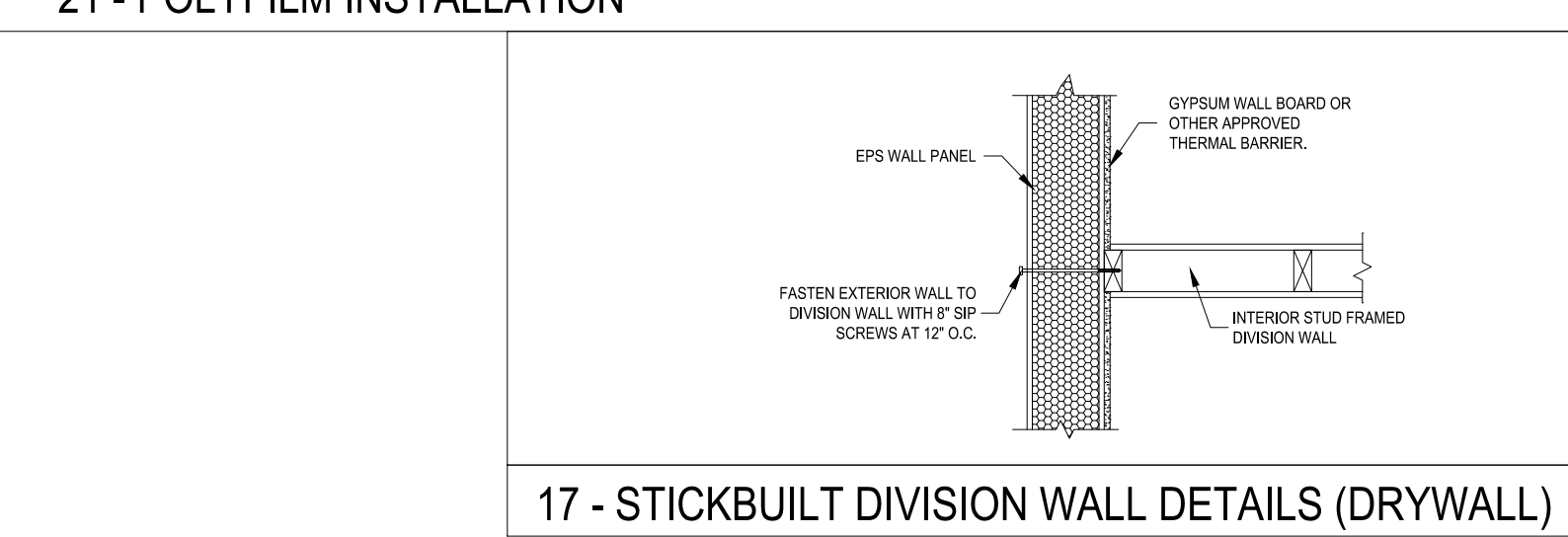
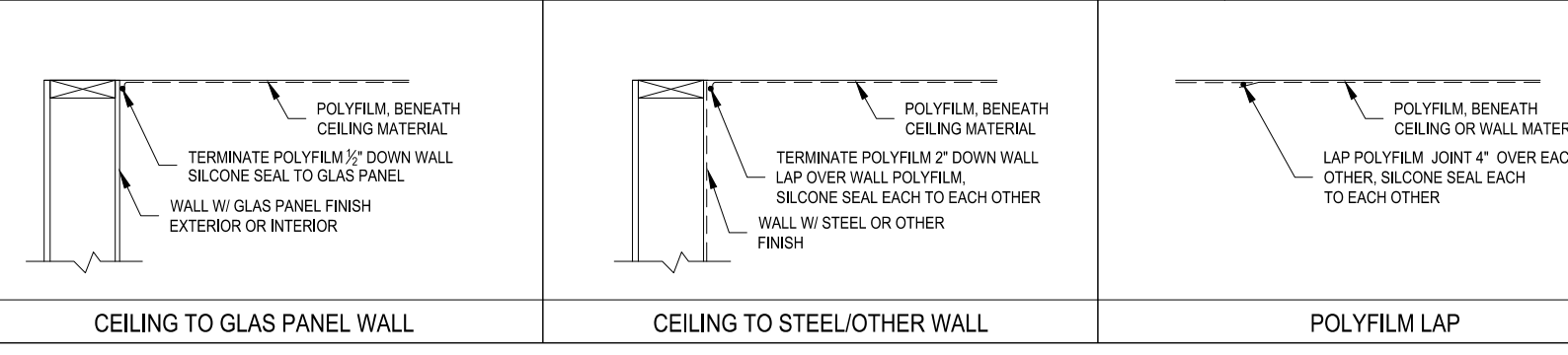
10 - ATTIC ACCESS FRAMING



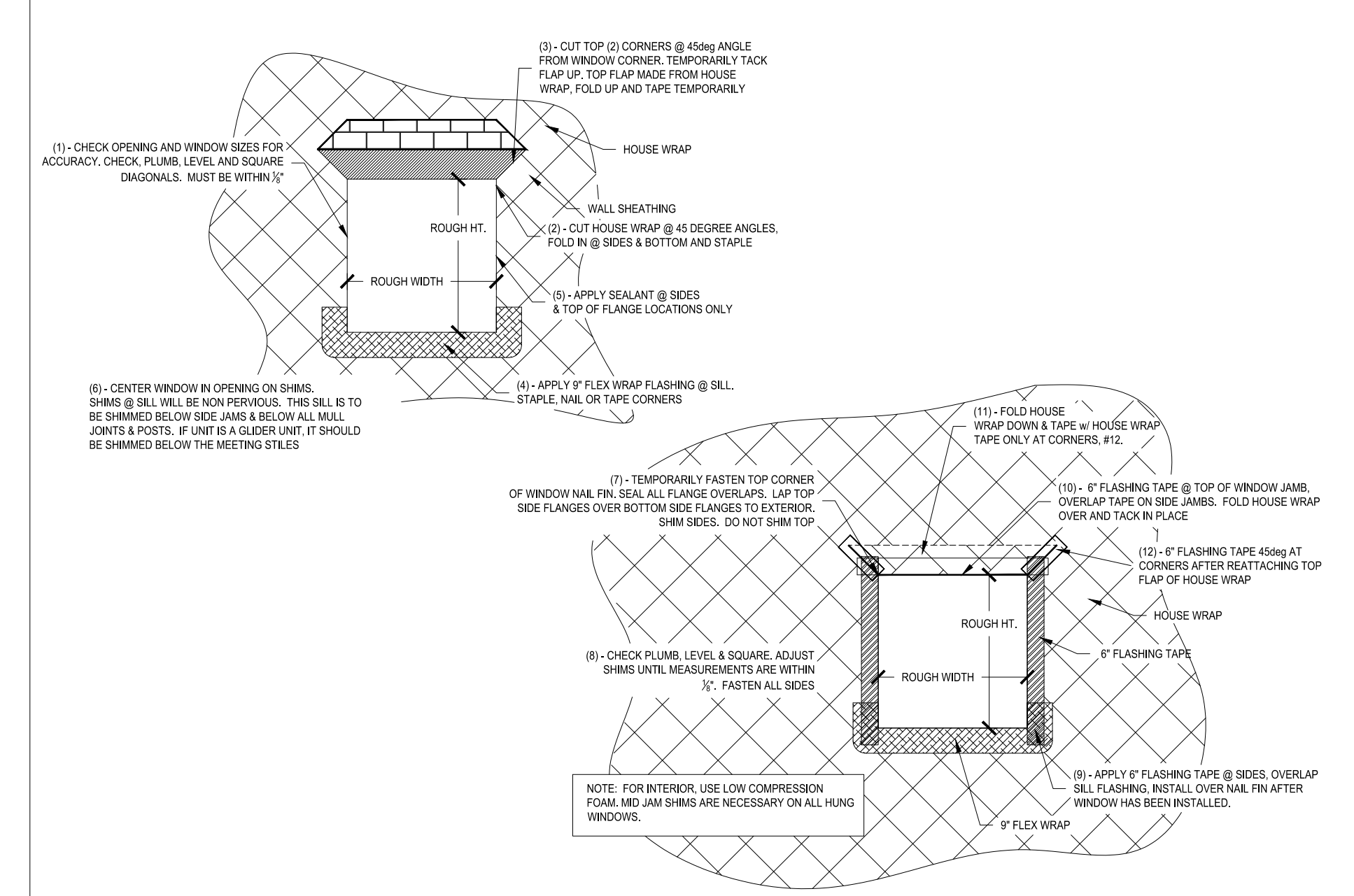
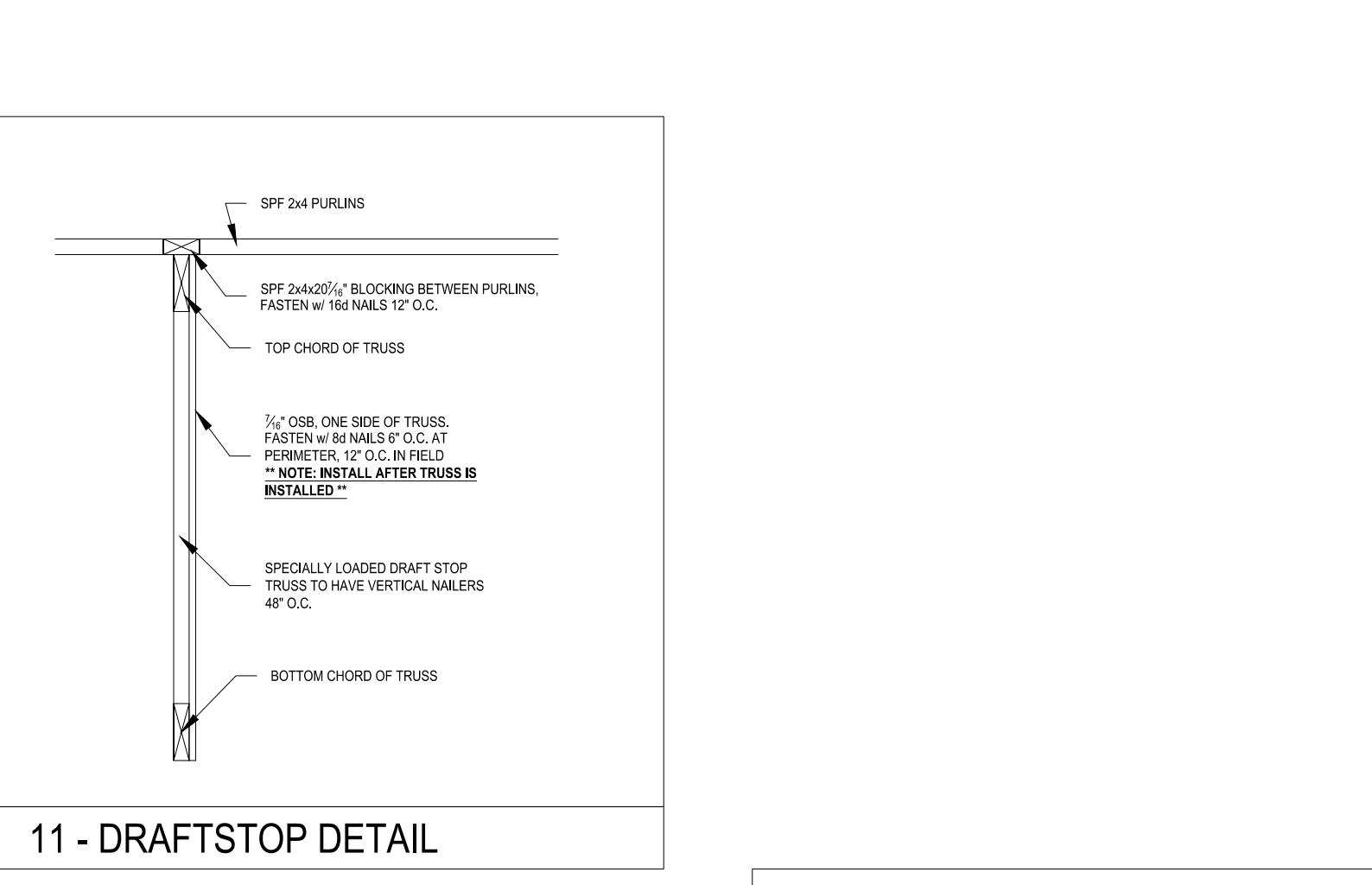
11 - DRAFTSTOP DETAIL



16 - STICKBUILT DIVISION WALL DETAILS



16 - STICKBUILT DIVISION WALL DETAILS (DRYWALL)



20 - WINDOW INSTALLATION DETAIL



PROJECT NUMBER:
 2024/SC/IA91160

CUSTOMER SERVICE:
 STEVEN D.

DRAWN BY:
 BRENT W.
 REVIEWED BY:
 DAVE M.

DATE:
 3/7/2024

REVISIONS:
 6/6/2024

Print Date: 6/06/2024

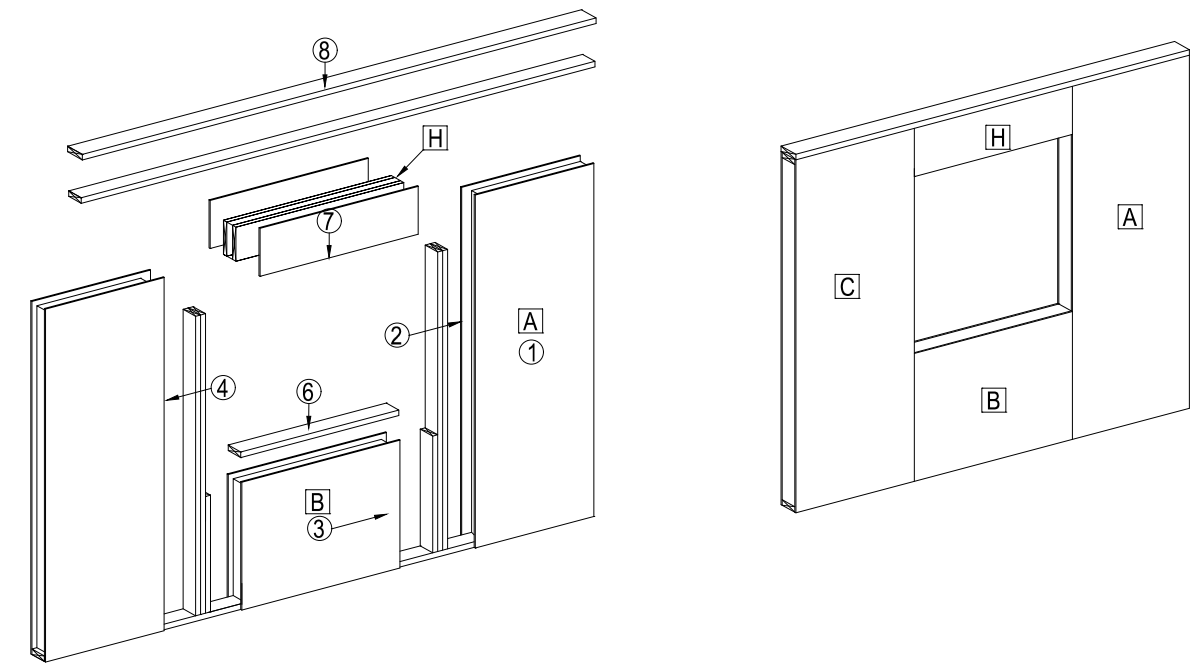
DEALER:
JAMES FOWLER CONTRACTING
 PROJECT TITLE:
WILLIAMS ELECTRIC OFFICE & RENTAL PROPERTY SOLID CORE/LADDER FRAME BUILDING PACKAGE

CONSTRUCTION DETAILS

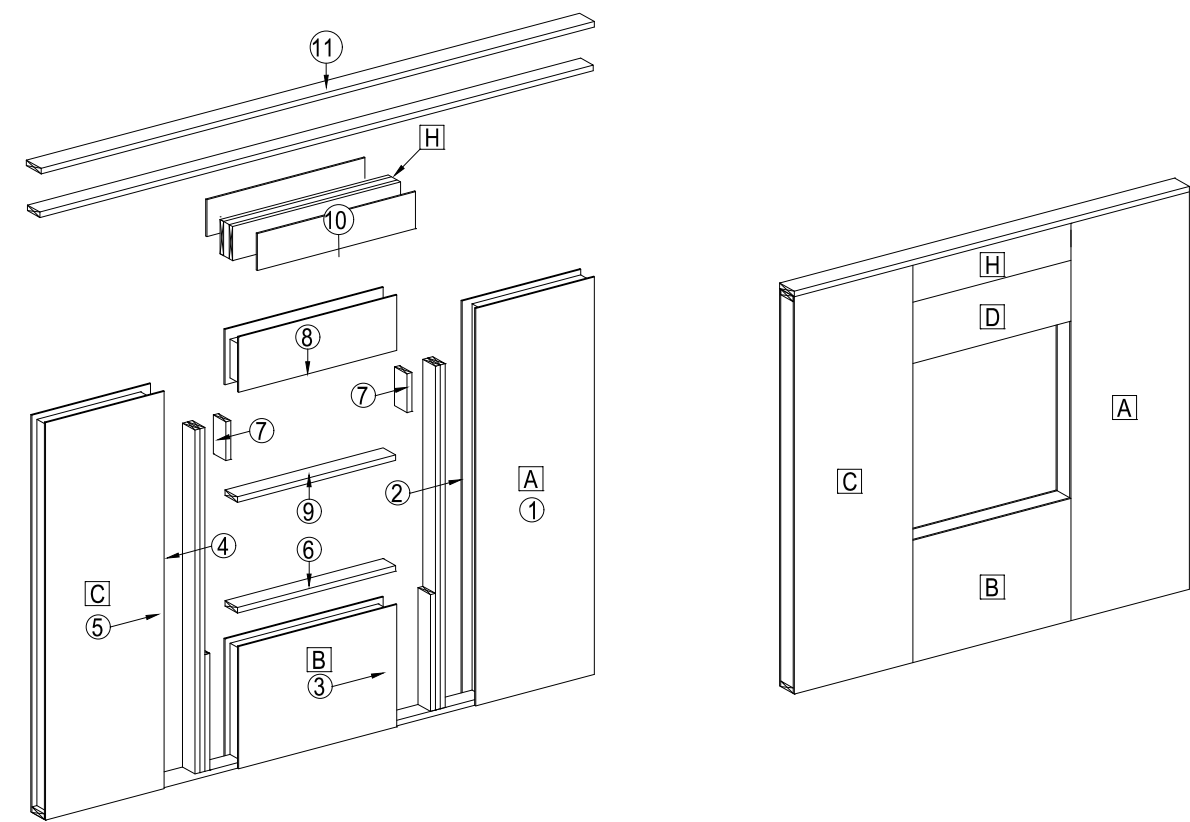
PROJECT STATUS:
 FINAL DRAWINGS

SHEET:
S9.1

- ERECT PANEL "A"
- PRE-ASSEMBLE FULL BEARING AND FILLER STUDS, INSTALL INTO PANEL "A"
- SLIDE PANEL "B" INTO PLACE
- PRE-ASSEMBLE FULL BEARING AND FILLER STUDS, INSTALL INTO PANEL "C"
- SLIDE PANEL "C" INTO PLACE, CHECKING HORIZONTAL R.O. DIMENSION
- INSTALL LOWER OPENING FRAMING
- DROP HEADER INTO OPENING, SHEATH WITH LOOSE OSB
- CONTINUE WITH WALL, INSTALL TOP PLATES



- SEE ABOVE
- INSTALL FILLER PANEL BLOCKING
- SLIDE UPPER PANEL INTO PLACE, VERIFY VERTICAL R.O.
- INSTALL UPPER OPENING FRAMING
- DROP HEADER INTO OPENING, SHEATH WITH LOOSE OSB
- CONTINUE WITH WALL, INSTALL TOP PLATES



9 - TYPICAL HEADER FRAMING DETAIL

WALL PANEL FASTENING SCHEDULE		
COMPONENTS	TYPE OF FASTENER	FREQUENCY
BASE PLATE TO SUBFLOOR	SIMPSON SD52512 SCREWS	(1) ROW 12" O.C. PARALLEL TRUSS (2) SCREWS PER PERP TRUSS
PLATES TO STUDS	16d R.S.	2 PER STUD
CAP PLATE TO TOP PLATE	16d R.S.	2 ROWS 12" O.C.
PANELS TO STUDS	8d R.S.	6" O.C. INT. & EXT.
PANELS TO SPLINES / STUDS	8d R.S.	6" O.C. INT. & EXT.

WALL PANEL ADHESIVE SCHEDULE		
COMPONENTS	TYPE OF ADHESIVE	FREQUENCY
PANEL TO BASE PLATE	SP SEAL SP SEALANT / ADHESIVE	3/4" BEAD (CONTINUOUS) 1 RUN PER SKIN
PANEL TO SPLINES	SP SEAL SP SEALANT / ADHESIVE	3/4" BEAD (CONTINUOUS) 1 RUN PER SKIN
PANEL TO TOP PLATE	SP SEAL SP SEALANT / ADHESIVE	3/4" BEAD (CONTINUOUS) 1 RUN PER SKIN
TOP PLATE TO PLATE	SP SEAL SP SEALANT / ADHESIVE	(2) CONTINUOUS 3/4" BEADS

ROOF TRUSS FASTENING SCHEDULE		
COMPONENTS	TYPE OF FASTENER	FREQUENCY
TRUSS TO TOP PLATE	PER ROOF PLAN	PER HANGER SCHEDULE
FASCIA TO TRUSS	16d R.S.	(3) PER CONNECTION
TRUSS HEEL SHEATHING	8d NAILS	4" O.C. TO ALL MEMBERS
ROOF SHEATHING	8d NAILS	6" O.C. EDGES 12" O.C. CENTERS
GABLE END SHEATHING	8d NAILS	4" O.C.
BOTTOM CHORD BRACING LATERAL BRACING DIAGONAL BRACING	16d CC SINKER	(2) PER CONNECTION
X-BRACING	SIMPSON LUS26 TECO NAILS	(4) PER X-BRACE
OUTLOOKER	SIMPSON H1 (3) 16d	ALL OUTLOOKERS

9B - HOUSE FASTENING SCHEDULE

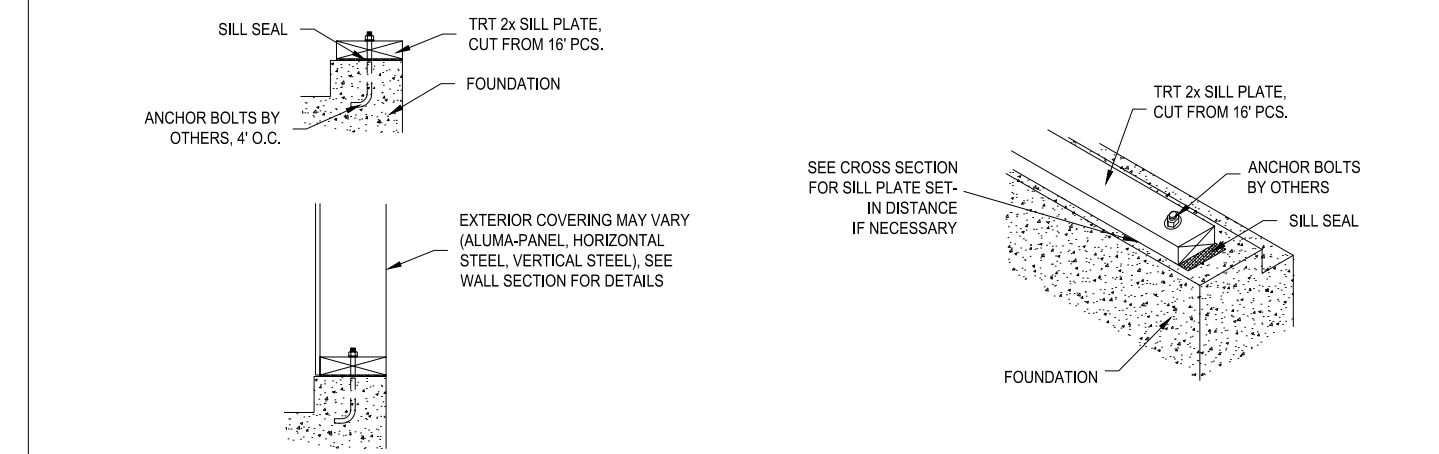
FLOOR (TRUSS) FASTENING SCHEDULE		
COMPONENTS	TYPE OF FASTENER	FREQUENCY
SUBFLOOR TO TRUSS	8d R.S.	4" O.C. EDGES 6" O.C. CENTER
1/2" OSB RM BOARD TO TRUSS	8d R.S.	6" O.C. ALL MEMBERS
TRUSS TO SILL PLATE	16d R.S.	(2) ROWS 4" O.C. (ENDWALL) (6) PER TRUSS (SIDEWALL)
2x4 RIBBON	16d R.S.	1 NAIL PER TRUSS
2x6 STRONG BACK	16d R.S.	(3) NAILS PER VERTICAL

FLOOR SYSTEM ADHESIVE SCHEDULE		
COMPONENTS	TYPE OF ADHESIVE	FREQUENCY
RM BOARD TO SILL PLATE	SP SEAL SP SEALANT / ADHESIVE	3/4" BEAD (CONTINUOUS)
FLOOR TRUSS/JOIST TO SILL PLATE	SP SEAL SP SEALANT / ADHESIVE	3/4" BEAD (CONTINUOUS)
SUBFLOOR TO RM BOARD & FLOOR TRUSS/JOIST	SP SEAL SP SEALANT / ADHESIVE	3/4" BEAD (CONTINUOUS)

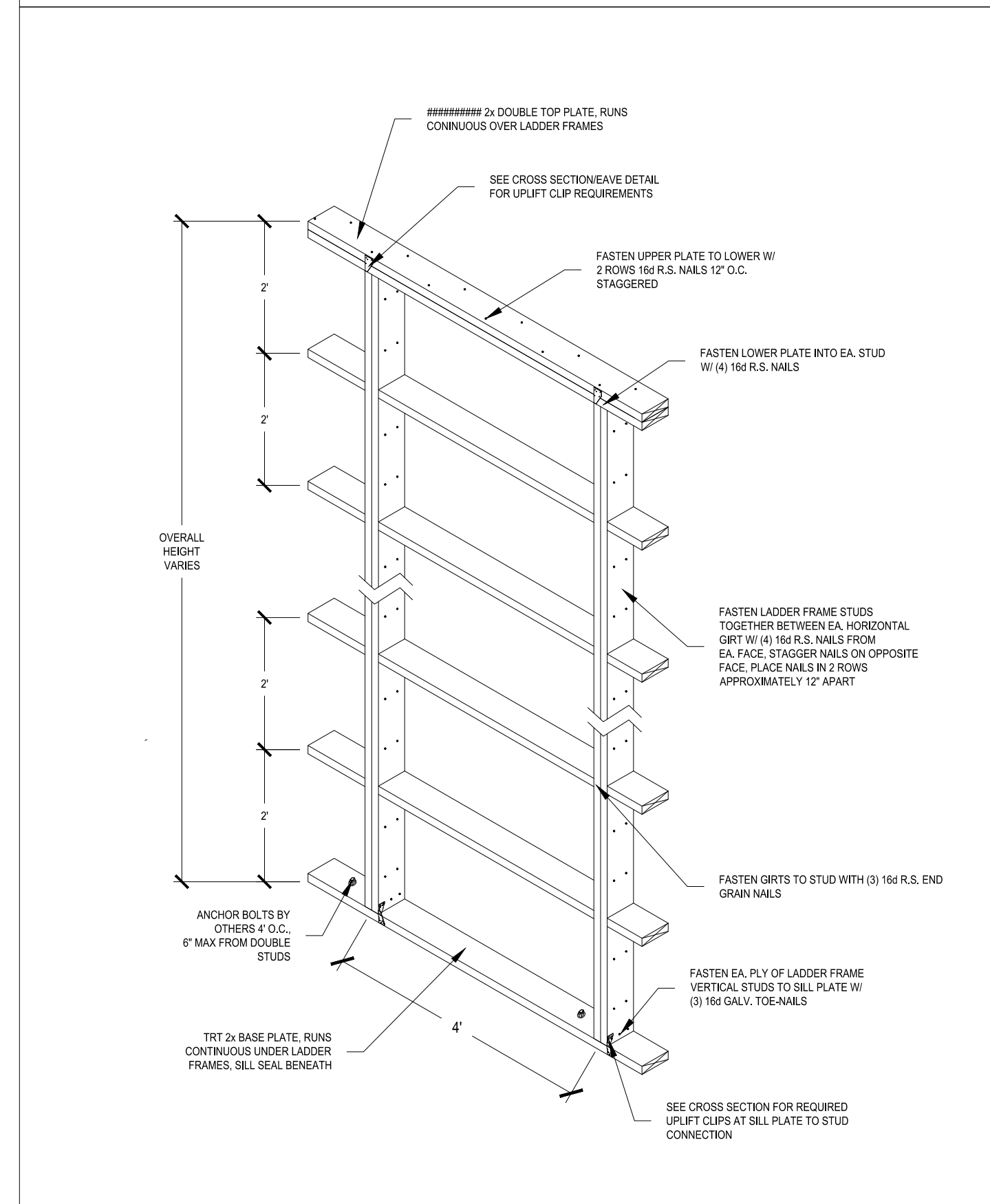
9C - FLOOR TRUSS FASTENING SCHEDULE

SOLID CORE BUILDING FASTENING SCHEDULE		
COMPONENT	TYPE OF FASTENER	FREQUENCY
SILL PLATE / FOUNDATION	5/8" BENT ANCHOR BOLTS W/ MINIMUM 8" EMBEDMENT, WASHERS TO HAVE A MINIMUM OUTSIDE DIAMETER OF 1/2"	4" O.C. AND 6" FROM ALL ENDS OF PLATES (BY OTHERS)
TOP PLATE / STUDS	16d NAILS	2/ STUD
PANELS / SILL PLATE - NAILS	8d GALV. NAIL (1 3/4" S.S. IN FRP OR ALUM. SKINS)	6" O.C. INTERIOR AND EXTERIOR
PANELS / SILL PLATE - SEALANT	SP SEAL SP SEALANT / ADHESIVE - 3/4" BEAD	1 RUN / SKIN
PANELS / STUDS - NAILS	8d NAILS	6" O.C. INTERIOR AND EXTERIOR
PANELS / STUDS - SEALANT	SP SEAL SP SEALANT / ADHESIVE - 3/4" BEAD	1 RUN / SKIN
PANELS / TOP PLATE - NAILS	8d NAILS (1 3/4" S.S. IN FRP OR ALUM. SKINS)	6" O.C. INTERIOR AND EXTERIOR
PANELS / TOP PLATE - SEALANT	SP SEAL SP SEALANT / ADHESIVE - 3/4" BEAD	1 RUN / SKIN
ENDWALL BLOCKING / TOP PLATE	16d NAILS	4" O.C.
GABLE END TRUSS / ENDWALL BLOCKING	16d NAILS	4" O.C.
REGULAR TRUSS / TOP PLATE	SEE EA/EV DETAIL	SEE EA/EV DETAIL
ROOF PURLINS / TRUSSES	16d R.S.	2 PER CONNECTION
BOTTOM CHORD BRACING / TRUSSES	16d R.S.	2 PER CONNECTION
LATERAL BRACING / TRUSSES	16d R.S.	2 PER CONNECTION
DIAGONAL BRACING / TRUSSES	16d R.S.	2 PER CONNECTION
FASCIA BOARD / TRUSSES	16d NAILS	2 PER TRUSS
POST TRIM / FASCIA BOARD	#10x1-1/2" ROOF SCREWS PAINTED	18" O.C.
ANGLE TRIM / BOTTOM PURLIN	8d NAILS	18" O.C.
ROOF STEEL / ROOF PURLIN	#10x1-1/2" ROOF SCREWS PAINTED	(1) IN FLAT RESIDE RB IN FLAT INTERMEDIATE (1) ON SIDE OF RB IN FLAT RIDGE & EA/EV
DOUBLE ANGLE / GABLE TRUSS	8d NAILS	18" O.C.
GABLE SHEATHING / GABLE END TRUSS	8d NAILS	6" O.C. AT EDGES, 12" O.C. IN FIELD
GABLE END STEEL / GABLE TRUSS	#10x1-1/2" ROOF SCREWS PAINTED	18" FLAT
RAKE TRIM / GABLE TRUSS	#10x1-1/2" ROOF SCREWS PAINTED	24" O.C.
RAKE TRIM / ROOF PURLIN	#10x1-1/2" ROOF SCREWS PAINTED	24" O.C.
OUTSIDE CORNER TRIM / PANELS	#10x1-1/2" ROOF SCREWS PAINTED	24" O.C.
RIDGE CAP / TOP PURLIN	#10x2" ROOF SCREWS PAINTED	6" O.C.
EXTERIOR PANEL JOINTS	SP SEAL SP SEALANT / ADHESIVE	3/4" X 1/2" BEAD
INSULATION STOP/TRUSSES	1-1/2" ROOFING NAIL	9 PER STOP
CEILING NAILERS/TRUSSES	16d NAILS	3 EA END
STEEL CEILING/TRUSSES	#10x1" ROOF SCREWS PTD WHITE	6" O.C. EA FLAT
DIVIDE STUDS/PLATES	16d TOE-NAIL	2 TOP & BOTTOM
GLASS PANEL/STUDS & PLATES	8d NAILS & 1-3/4" STAINLESS NAIL	6" O.C. PERIMETER & 12" O.C. INTER
INTERIOR PANEL JOINTS	SP SEAL SP SEALANT / ADHESIVE	3/4" X 1/2" BEAD
ALUMINUM BATTEN/PANEL JOINTS	1-3/4" STAINLESS NAIL	HOLES PROVIDED 6" O.C. CONTACT AREAS
VENTED SOFFIT PANEL TO TRUSSES AND FASCIA BLOCK	#10x1-1/2" ROOF SCREW	12" O.C. 2 RUNS
2" METAL TRIM	8d NAILS	24" O.C.

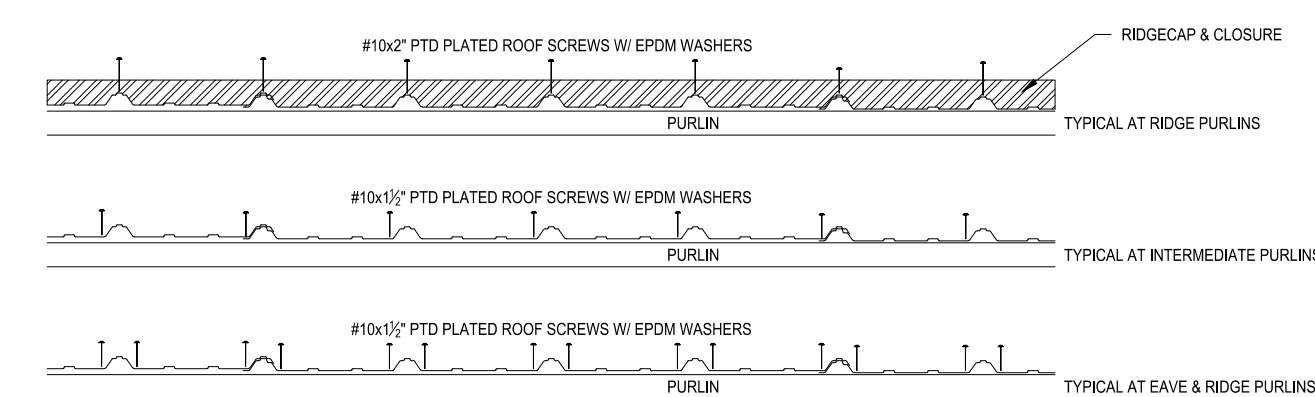
9A - SHOP FASTENING SCHEDULE



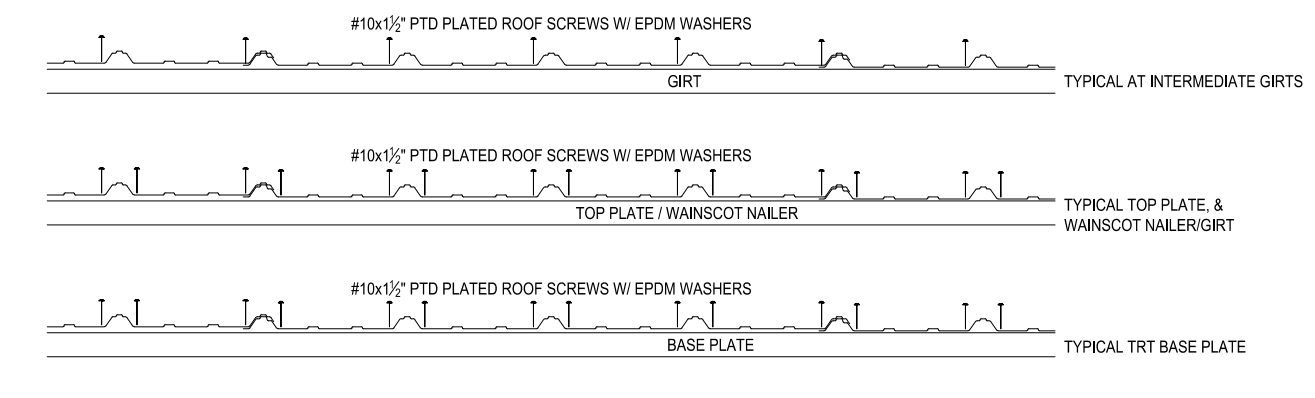
1 - WALL BASE DETAIL



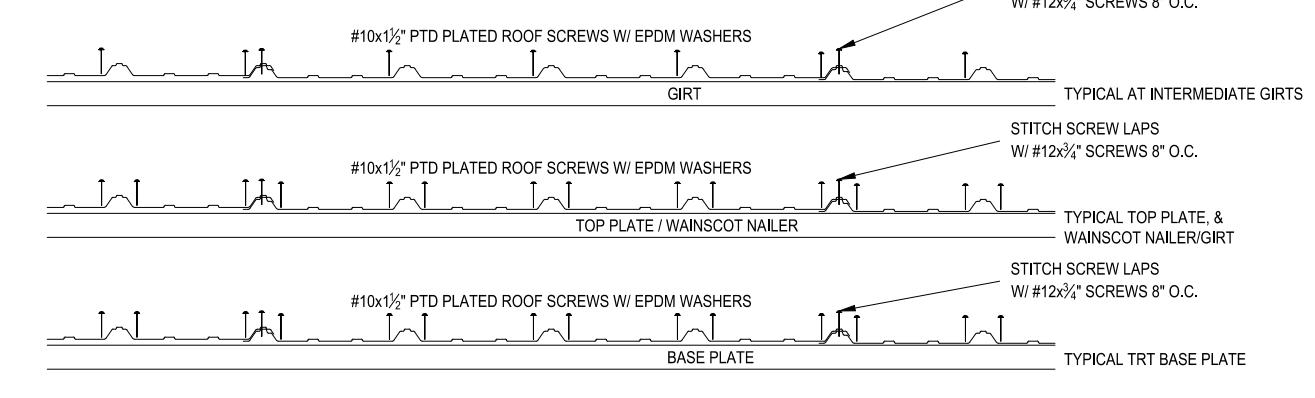
2 - LADDER FRAME CONNECTIONS



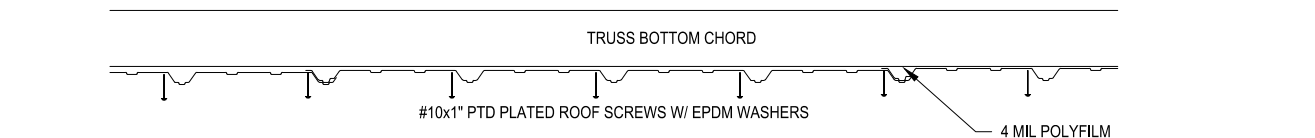
3 - ROOF STEEL FASTENING



4 - SIDEWALL STEEL FASTENING



5 - ENDWALL STEEL FASTENING



6 - CEILING STEEL FASTENING



PROJECT NUMBER:
2024/SC/IA91160

CUSTOMER SERVICE:
STEVEN D.

DRAWN BY:
BRENT W.

REVIEWED BY:
DAVE M.

DATE:
3/7/2024

REVISIONS:
6/6/2024

Print Date: 6/06/2024

DEALER:
JAMES FOWLER CONTRACTING
PROJECT TITLE:
WILLIAMS ELECTRIC OFFICE & RENTAL PROPERTY
SOLID CORE/LADDER FRAME BUILDING PACKAGE

SHEET TITLE:
CONSTRUCTION DETAILS

PROJECT STATUS:
FINAL DRAWINGS

SHEET:
S9.2