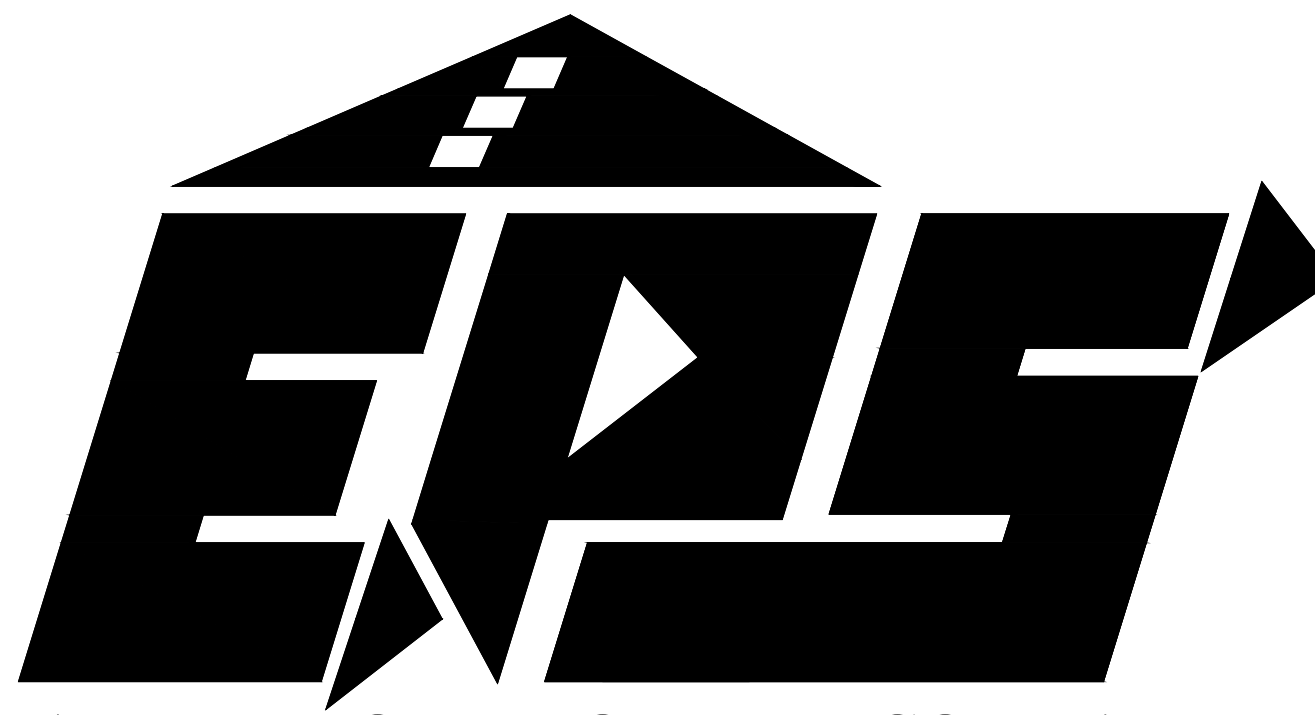


**DESIGN LOADS**

CODE BODY: MN 2020 (IBC 2018)\_  
 GROUND SNOW LOAD: 40 PSF  
 RISK CATEGORY: II  
 C<sub>t</sub>: 1.1  
 C<sub>e</sub>: 1.0  
 I<sub>s</sub>: 1.0  
 C<sub>s</sub>: 1.0  
 ROOF LIVE LOAD: 31 PSF  
 ROOF DEAD LOAD: 15 PSF (10 PSF SHOP)  
 CEILING LIVE LOAD: 0 PSF  
 CEILING DEAD LOAD: 15 PSF (10 PSF SHOP)  
 V<sub>ult</sub>: 111 mph  
 V<sub>asd</sub>: 86 mph  
 EXPOSURE: C  
 k<sub>ft</sub>: 0.91  
 MEZZANINE LIVE LOAD: 125 PSF  
 MEZZANINE DEAD LOAD: 10 PSF  
 MEZZ. CEILING DEAD LOAD: 10 PSF



AN EMPLOYEE-OWNED COMPANY

ENERGY PANEL STRUCTURES  
 102 EAST INDUSTRIAL PARK  
 GRAETTINGER, IA 51342  
 PHONE: 712/859-3219  
 FAX: 712/859-3275  
 WWW.EPSBUILDINGS.COM

**SHEET DRAWING INDEX**

S0	TITLE SHEET
S1.11	FIRST LEVEL WALL LAYOUT
S1.20	FLOOR TRUSS LAYOUT
S1.50	ROOF FRAMING PLAN
S2.0	BUILDING SECTIONS
S2.1	BUILDING SECTIONS
S3.0	BUILDING DETAILS
S3.1	COOLER BUILDING DETAILS
S4.10	PANEL ELEVATIONS
S4.11	PANEL ELEVATIONS
S4.12	PANEL ELEVATIONS
S4.20	STEEL LAYOUTS
S9.0	CONSTRUCTION DETAILS
S9.1	CONSTRUCTION DETAILS
B1	TRUSS INSTALLATION
B2	TRUSS INSTALLATION
B3	TRUSS INSTALLATION
B7	TRUSS INSTALLATION
B10	TRUSS INSTALLATION



ENERGY PANEL STRUCTURES  
 102 EAST INDUSTRIAL PARK  
 GRAETTINGER, IA 51342  
 PHONE: 712-859-3219  
 FAX: 712-859-3275  
 WWW.EPSBUILDINGS.COM

PROJECT NUMBER:  
 2025/SC/IA95698

CUSTOMER SERVICE:  
 BRIAN D.  
 DRAWN BY:  
 CHRIS K.  
 REVIEWED BY:  
 DAVE M.

DATE:  
 04/08/25

REVISIONS:  
 04/11/25

-

-

Print Date: 4/11/2025

PROFESSIONAL ENGINEER  
 I hereby certify that this plan specification or report was prepared by me or under my direct supervision and that I am a duly Licensed Professional Engineer under the laws of the State of Minnesota.  
 Name: Chris Kramer License: 12199  
 Date: 04/10/25

SEE RED JOBSITE PACKET FOR THE FOLLOWING ADDITIONAL MATERIAL USE GUIDELINES TO ENSURE PROPER INSTALLATION OF THESE ITEMS WHEN APPLICABLE:

- 'BLOCK-IT'/'TYPAR' HOUSE WRAP
- ACRYLIC THREADED ROD ANCHORAGE
- PLYCO WALKDOORS
- SILVERLINE WINDOWS
- GERKIN WINDOWS

THE ATTACHED DRAWING SET REPRESENTS A STRUCTURAL FRAMING PLAN SET. FOR ALL OTHER PRODUCTS THAT ARE ATTACHED IN OR OUTSIDE OF THE STRUCTURAL FRAMING. SEE MANUFACTURERS' WEBSITES FOR COMPLETE INSTALLATION INSTRUCTIONS IF NOT PROVIDED. EXAMPLE ITEMS WOULD INCLUDE, BUT NOT LIMITED TO: WINDOWS, WALK DOORS, SIDING AND SHINGLES.

**BUILDING COLORS**

ROOF METAL	BURGUNDY	G100	WAINSCOT CORNER	BURGUNDY
GABLES	LIGHT STONE	G100	WAINSCOT CAP	BURGUNDY
SIDES	LIGHT STONE	G100	CORNER	LIGHT STONE
WAINSCOT	BURGUNDY	G100	EAVE/FASCIA	BURGUNDY
SOFFIT	BURGUNDY		GABLE/RAKE	BURGUNDY
RIDGE CAP	BURGUNDY		DOOR TRIM	BURGUNDY
CUPOLA ROOF	NA		ACCENT PANEL	NA
CUPOLA SIDES	NA		RIDGEVENT	NA
PORCH HEADER	NA		SHUTTERS	NA
PORCH CEILING	NA		LINER COLOR	BONE WHITE

**GENERAL INFORMATION**

DEALER:  
 WELP CONST.  
 305 N. 2ND AVE  
 LAKEFIELD, MN 56130  
 PHONE: 507-662-9357

OWNER:  
 LAKEFIELD LIQUOR  
 309 450TH AVE  
 LAKEFIELD, MN 56130

BUILDING TYPE:  
 SOLID CORE

BUILDING USAGE:  
 COMMERCIAL

BUILDING DIMENSIONS:  
 64' x 128' x 16'6"  
 64' x 58' x 12'

AREA:  
 11,904 SQ. FT.

SITWORK: THE SITE SHALL BE GRADED TO PROVIDE DRAINAGE AWAY FROM THE BUILDING. SLOPE AWAY FROM WALL 1/2" PER FOOT MIN. 6" FROM WALL.

CONCRETE WORK: THE CONCRETE WORK SHALL CONSIST OF ALL NECESSARY POUR-IN-PLACE CONCRETE FOOTINGS (OR FOUNDATION) AS PER BUILDING PLANS DESIGNED BY OTHERS. THE CONCRETE SHALL MEET A MINIMUM COMPRESSIVE STRENGTH OF 3,500 PSI AT 28 DAYS. ALL CONCRETE SHALL BE DESIGNED IN ACCORDANCE WITH THE AMERICAN CONCRETE INSTITUTE BUILDING CODE REQUIREMENTS FOR STRUCTURAL CONCRETE (ACI 318-14) AND COMMENTARY (ACI 318R-14).

WOOD FRAMING: ALL WOOD CONSTRUCTION SHALL BE IN CONFORMANCE WITH THE PROVISIONS OF THE 2018 EDITION OF THE NATIONAL DESIGN SPECIFICATION FOR WOOD CONSTRUCTION. UNLESS NOTED OTHERWISE ALL FRAMING LUMBER SHALL BE SPF#2 GRADE.

TRUSSES: WOOD TRUSSES ARE SHOP/PLANT FABRICATED WITH CONNECTOR PLATES PER SPECIFICATIONS. DESIGN CRITERIA ESTABLISHED BY THE TRUSS PLATE INSTITUTE - (ANSI/TPI 1-2014). REFER TO THE BCS(BUILDING COMPONENT SAFETY INFORMATION) MANUAL FOR WOOD TRUSS TEMPORARY BRACING REQUIREMENTS.

METAL CONNECTORS: ALL METAL CONNECTORS ARE OF GALVANIZED STEEL AND DESIGN APPROVED TO MEET OR EXCEED REQUIRED STANDARDS.

ROOFING AND SIDING MATERIAL: THE METAL ROOF AND WALLS SHALL BE EPS FULL FORMED PANEL. THE RIBBED DESIGN HAS 3/4" HIGH PRIMARY RIBS 9" O.C. FOR BEAM STRENGTH AND 2 INTERMEDIATE LOW RIBS 3" O.C. FOR ADDITIONAL STIFFENING. THE EPS ROLL FORM PANEL IS MANUFACTURED TO ASTM SPECS. W/ AN 80,000 PSI MIN. YIELD POINT AND AN 82,000 PSI MINIMUM TENSILE STRENGTH. A FOUR-LAYER COLOR-CLAD PROCESS INCLUDES MIN G-60 GALVANIZED ZINC COATING, BONDERIZED COATING, BAKED ON PRIMER COATING, AND A SILICONIZED MODIFIED POLYESTER BAKED-ON PAINT FINISH.

FASTENERS: ALL ROOF AND WALL METAL SHEATHING SHALL BE FASTENED TO THE BUILDING STRUCTURE W/ TRUE-GRIP SCREWS W/ MILL POINT AND HEX HEAD. THE SCREWS SHALL HAVE A EPDM RUBBER WASHER TO ENSURE WEATHER TIGHTNESS.

SHORING AND BRACING: CONTRACTOR SHALL BE RESPONSIBLE FOR ALL TEMPORARY SHORING AND BRACING.

**TUFFY COOLER / FREEZER**

**RECOMMENDED TEMPERATURE REDUCTION RATES**

- ALL MATERIALS ARE SUBJECT TO CONTRACTION AS THE TEMPERATURE IS LOWERED. THEREFORE, THE TEMPERATURE MUST BE LOWERED GRADUALLY TO MINIMIZE THE POSSIBILITY OF CRACKING THE INSULATION ENVELOPE. ROOM TEMPERATURE SHOULD BE MAINTAINED SLIGHTLY ABOVE FREEZING TEMPERATURE UNTIL ANY MOISTURE HAS EVAPORATED. DOORS SHOULD BE CRACKED OPEN TO EQUALIZE INSIDE AND OUTSIDE PRESSURE.

- SINCE THE CONCRETE SLAB WILL CONTRACT DURING THE TEMPERATURE REDUCTION PERIOD, CURING OR SEALING MUST BE CHECKED AT 35 DEGREES AND POINTED UP IF NECESSARY.  
 - MINIMUM RATE REDUCTION IS 20 DEGREES PER 24 HOURS UNTIL 35 DEGREES IS REACHED. HOLD UNTIL DRY. FURTHER REDUCTION IN TEMPERATURE FOR FREEZERS SHOULD NOT EXCEED 15 DEGREES PER 24 HOURS UNTIL OPERATING TEMPERATURE IS REACHED.

LIGHT FIXTURES AND ELECTRICAL CONDUIT MAY BE FASTENED TO THE PANEL FACING WITH LOADS LESS THAN 15 LBS. HEAVY CONDUIT, REFRIGERATION PIPING, AND SPRINKLER SYSTEM SHOULD BE SUSPENDED FROM HANGER RODS FASTENED THROUGH THE PANELS.

CONSULT A COOLER / FREEZER HVAC PROFESSIONAL FOR PROPER ROOM DESIGN INCLUDING, BUT NOT LIMITED TO, PRESSURE RELIEF, THERMAL BREAKS, FLOOR DESIGN, HVAC SIZING AND LOCATION, ETC.

ALL PANEL PENETRATIONS MUST BE PROPERLY SEALED FOR THERMAL AND VAPOR TRANSMISSION.

CEILING / BOTTOM CHORD IS NOT DESIGNED FOR ANY ADDITIONAL LOAD EXCEPT FOR CEILING MATERIALS UNLESS NOTED OTHERWISE.

THESE CONTRACT DOCUMENTS/DRAWINGS ARE THE PROPERTY OF ENERGY PANEL STRUCTURES AND ARE INTENDED FOR THE EXPRESS USE FOR CONSTRUCTION OF THIS PROJECT BY AN ENERGY PANEL STRUCTURES' AUTHORIZED INDEPENDENT DEALER. THESE DOCUMENTS SHALL NOT BE USED FOR ANY OTHER CONSTRUCTION PROJECT, OR BY ANY OTHER ENTITY WITHOUT THE EXPRESS WRITTEN CONSENT OF ENERGY PANEL STRUCTURES. IN THE EVENT THAT ANY OF THE DESIGN DRAWINGS OR SPECIFICATIONS ARE REUSED OR MODIFIED WITHOUT THE EXPRESS WRITTEN AUTHORIZATION OF ENERGY PANEL STRUCTURES, THEN ENERGY PANEL STRUCTURES WILL NOT BE LIABLE FOR SUCH REUSE OR MODIFICATION, AND IT WILL BE SUBJECT OF THE PERSON OR ENTITY TO CLAIM FOR A COPYRIGHT INFRINGEMENT, COSTS, DAMAGES, AND ATTORNEY FEES.

\* THIS SET OF PLANS ARE INTENDED TO BE USED BY CONTRACTORS WITH BUILDING CONSTRUCTION KNOWLEDGE.

\* ENERGY PANEL STRUCTURES CAN NOT BE HELD RESPONSIBLE FOR MISUSE OR MISINTERPRETATION OF INFORMATION INCLUDED IN THESE DRAWINGS, OR THE USE OF THIS SET OF PLANS BY PEOPLE WITHOUT BUILDING CONSTRUCTION KNOWLEDGE.

\* RESPONSIBILITY OF THIS SET OF PLANS IS LIMITED TO THE BUILDING DESIGN SHOWN ON THE DRAWINGS. BUILDING DESIGN IS BASED ON NUMBER, SIZE AND LOCATION OF OPENINGS SHOWN ON THE DRAWINGS. NO RESPONSIBILITY IS ASSUMED FOR ADDITIONAL OPENINGS NOT SHOWN ON THE DRAWINGS OR CHANGES IN THE SIZES OR LOCATION OF OPENINGS.

\* ALL DOOR AND WINDOW OPENINGS SHOWN ON THIS SET OF PLANS ARE THE ACTUAL SIZE OF THE OPENING PROVIDED. IT IS THE GENERAL CONTRACTOR/OWNER'S RESPONSIBILITY TO VERIFY ALL LOCATIONS AND SIZES OF OPENINGS PRIOR TO CONSTRUCTION.

\* IMPORTANT!! THIS BUILDING IS DESIGNED USING THE ROOF AS A DIAPHRAGM(DEEP THIN BEAM) TO TRANSFER SIDEWALL AND ROOF WIND LOADS TO THE ENDWALL SHEAR WALLS SHOWN. STEEL PANELS ARE AN INTEGRAL PART OF THE BUILDING STRUCTURE AND ANY FUTURE FIELD MODIFICATIONS MADE MAY BE DETRIMENTAL TO THE BUILDING'S STRUCTURAL PERFORMANCE.

\* THIS IS A STRUCTURAL FRAMING DRAWING AND IS TO BE USED FOR THAT PURPOSE ONLY. CODES REGARDING FIRE SAFETY, INTERIOR FINISHES, PERSONAL SAFETY & INJURY ARE NOT ADDRESSED IN THIS DRAWING AND ARE THE RESPONSIBILITY OF THE OWNER.

\* THE ATTIC OF THIS STRUCTURE MUST BE PROPERLY VENTILATED. CONSULT AN HVAC ENGINEER FOR PROPER SIZING OF EAVE INLETS, RIDGE OPENINGS, ENDWALL LOUVERS, OR MECHANICAL SYSTEMS. FAILURE TO PROPERLY VENTILATE THE ATTIC MAY CAUSE PARTITION TO SEPARATE AT ROOF/CEILING, CONDENSATION ON ROOF MATERIALS, LARGER AIR CONDITIONING LOAD, MOLD OR MILDEW, CORROSION OF TRUSS PLATES, PREMATURE DEGRADATION OF STRUCTURAL BUILDING COMPONENTS.

\* SIP PANEL WALL CONSTRUCTION BUILDINGS ARE DESIGNED FOR MINIMAL AIR INFILTRATION. IT IS RECOMMENDED THAT GENERAL CONTRACTOR/OWNER WORKS IN CONJUNCTION WITH AN HVAC PROFESSIONAL TO DESIGN A SYSTEM TO INSURE AIR QUALITY AND MOISTURE CONTROL. AIR TO AIR EXCHANGERS ARE RECOMMENDED IN SUCH TYPE STRUCTURES.

\* THE CEILING SYSTEM PROVIDED HAS NOT BEEN DESIGNED FOR HUMAN TRAFFIC. CONTRACTORS - IT IS YOUR RESPONSIBILITY TO WARN OTHER TRADES.

\* EPS WALLS ARE NOT DESIGNED FOR LATERAL LOADS IMPOSED BY CONCRETE FOUNDATION WALLS. CONCRETE WALLS TO BE DESIGNED TO ABSORB ALL LOADS IMPOSED BY EPS STRUCTURE AND 100% OF ALL MATERIAL(BACKFILL/ETC) (IF ANY) STORED AGAINST THEM. CONCRETE WALL TO IMPOSE NO HORIZONTAL LOAD TO EPS STRUCTURE.

\* ALL PANELS SHALL BE STORED IN A PROTECTED AREA AND SUPPORTED EVERY 4' TO PREVENT DEFORMATION AND CONTACT WITH THE GROUND. DO NOT USE BLACK OR DARK COLORED TARP. AFTER INSTALLATION, ALL PANELS SHALL BE COVERED TO PREVENT CONTACT WITH WATER ON ALL EXPOSED PANEL EDGES.

**FLOOR SHEATHING**

- FLOOR SHEATHING SHALL BE 23/32" TONGUE AND GROOVE APA-RATED STRUCTURAL USE PANEL (EXPOSURE 1). EACH PANEL SHALL BE IDENTIFIED WITH THE GRADE TRADEMARK OF THE APA-ENGINEERED WOOD ASSOCIATION AND SHALL MEET THE REQUIREMENTS OF THE PRODUCT STANDARD. APPLICATION AND NAILING OF STRUCTURAL USE PANELS SHALL BE IN ACCORDANCE WITH THE RECOMMENDATIONS OF THE APA ENGINEERED WOOD ASSOCIATION UNLESS REQUIREMENTS NOTED ON THESE CONTRACT DRAWINGS ARE MORE RESTRICTIVE.
- FLOOR PANELS SHALL BE ORIENTED WITH THE FACE GRAIN PERPENDICULAR TO THE JOISTS SUPPORTS AND PANEL JOINTS SHALL BE STAGGERED.
- FLOOR SHEATHING SHALL BE GLUED TO ALL SUPPORTS USING COMMERCIAL GRADE ADHESIVE FOR USE WITH PLYWOOD SHEATHING CONFORMING TO APA SPECIFICATIONS AFG-01, APPLIED IN ACCORDANCE WITH THE GLUE ON FLOOR JOISTS AND CONTINUOUS OR STITCH GLUE IN GROOVE OF TONGUE-AND-GROOVE SHEATHING PANELS.
- MINIMUM FLOOR DIAPHRAGM NAILING SHALL BE AS FOLLOWING, UNLESS NOTED OTHERWISE:
  - NAILS USED TO FASTEN THE FLOOR SHEATHING SHALL BE COMMON WIRE NAILS.
  - ALL PANEL SUPPORTED EDGES TO FLOOR JOISTS AND RIM JOIST FASTENED WITH 8d AT 6" ON CENTER.
  - OTHER PANEL INTERMEDIATE PANEL SUPPORTS WITH 8d AT 12"
- INSTALL PLYWOOD WITH 1/8 INCH SPACING AT ALL SIDES OF SHEETS AS RECOMMENDED BY THE APA.
- SHEATHING PANELS SHALL NOT BE LESS THAN 4X8' EXCEPT AT BOUNDARIES AND CHANGES IN FRAMING WHERE THE MINIMUM PANEL DIMENSIONS SHALL BE 24" UNLESS ALL EDGES OF THE UNDERSIZED PANELS ARE SUPPORTED BY MINIMUM 2x FRAMING MEMBERS OR SUPPLEMENTAL BLOCKING.

DEALER:  
**WELP CONST.**  
 PROJECT TITLE:  
**LAKEFIELD LIQUOR**  
**SOLID CORE BUILDING PACKAGE**

SHEET TITLE:  
**TITLE SHEET**

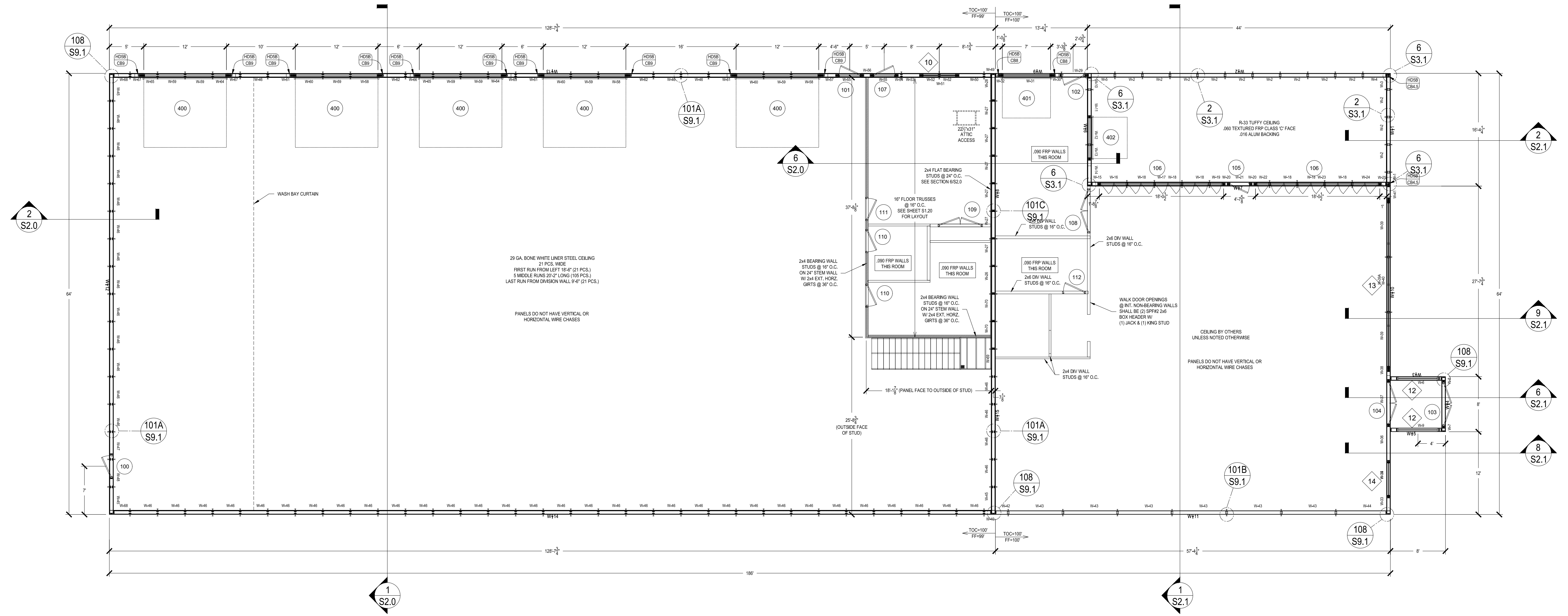
PROJECT STATUS:

SHEET:

**S0**

Shear Wall Holddowns

HC98	SIMPSON HD98 BASE ANCHOR FASTEN TO STUDS WITH (2) 1/8" BOLTS FASTEN TO CONCRETE WITH (1) 1/2" DIA. EMBEDMENT THREADED ROD. EPOXY IN PLACE W/ SIMPSON AT-4P10.
CB	NOTE: LOWER NOTE DENOTES BOLT TYPE & LENGTH CB - GARAGE BOLT; MB - MACHINE BOLT



1 PLAN VIEW  
SCALE: 1/8" = 1'-0"

DOOR OPENING/HEADER SCHEDULE										
Remarks	Number	Quantity	Rough Width	Rough Height	Head Height	Header	Bearing Studs (Each Side)	Full Studs (Each Side)	Head Detail	Jamb Detail
PLYCO 92 - WHITE	100	1	3'-4 1/2"	7'-2 1/2"	6'-2 1/2"	SIP HEADER (FRAME OPENING W/ 2x MATERIAL)	--	--	--	1A/S3.0
PLYCO 92 - WHITE	101	1	3'-4 1/2"	7'-2 1/2"	6'-2 1/2"	(2) SP MSR 2400 2x10 HEADER	2	1	10/S3.0	1A/S3.0
PLYCO 92 - WHITE	102	1	3'-4 1/2"	7'-2 1/2"	7'-2 1/2"	(2) SP MSR 2400 2x10 HEADER	2	1	10/S3.0	1B/S3.0
ENTRANCE DOOR (BY OTHERS)	103	1	6'-4 1/2"	9'-4 1/4"	9'-4 1/4"	FRAME OPENING W/ 2x MATERIAL	--	2	--	--
ENTRANCE DOOR (BY OTHERS)	104	1	6'-4 1/2"	7'-2 1/4"	7'-2 1/4"	SIP PANEL ABOVE	--	2	--	--
COOLER DOOR (BY OTHERS)	105	1	3'-1 5/8"	6'-9 1/4"	6'-9 1/4"	SIP PANEL ABOVE	--	1	--	1C/S3.0
COOLER DOOR (BY OTHERS)	106	2	18'-0 1/2"	6'-3 1/4"	7'-1 1/4"	(2) PLY 1-3/4" x 11-7/8" LVL BOX	1	1	4/S3.0	1C/S3.0
PLYCO 92 - WHITE	107	1	3'-4 1/2"	7'-2 1/2"	6'-2 1/2"	(2) SP MSR 2400 2x10 HEADER	2	1	10/S3.0	1D/S3.0
PLYCO 20 - DOUBLE - WHITE	108	1	6'-5 5/8"	6'-9 3/4"	6'-9 3/4"	(2) SPF#2 2x6 BOX HEADER	1	1	--	1B/S3.0 SIM
PLYCO 20 - DOUBLE - WHITE	109	1	6'-5 5/8"	6'-9 3/4"	6'-9 3/4"	(2) SPF#2 2x6 BOX HEADER	1	1	--	--
PLYCO 20 - WHITE	110	2	3'-4 1/2"	6'-9 3/4"	6'-9 3/4"	(2) SPF#2 2x8 BOX HEADER	1	1	--	1B/S3.0
PLYCO 20 - WHITE	111	1	3'-4 1/2"	6'-9 3/4"	6'-9 3/4"	(2) SPF#2 2x8 BOX HEADER	1	1	--	1D/S3.0
PLYCO 20 - WHITE	112	1	3'-4 1/2"	6'-9 3/4"	6'-9 3/4"	(2) SPF#2 2x6 BOX HEADER	1	1	--	1B/S3.0 SIM
OH DOOR (BY OTHERS)	400	5	12'-0"	14'-0"	13'-0"	(2) PLY 1-3/4" x 14" LVL	3	2	5/S3.0	3A/S3.0
OH DOOR (BY OTHERS)	401	1	7'-0"	8'-0"	8'-0"	(2) 11'-7/8" LVL BOX UPPER & (2) SP MSR2400 2x10 LOWER	SEE ELEV.	2	8/S3.0	3B/S3.0
OH DOOR (BY OTHERS)	402	1	6'-0"	7'-0"	7'-0"	(2) SP MSR 2400 2x10 HEADER	1	1	4/S3.0	3C/S3.0

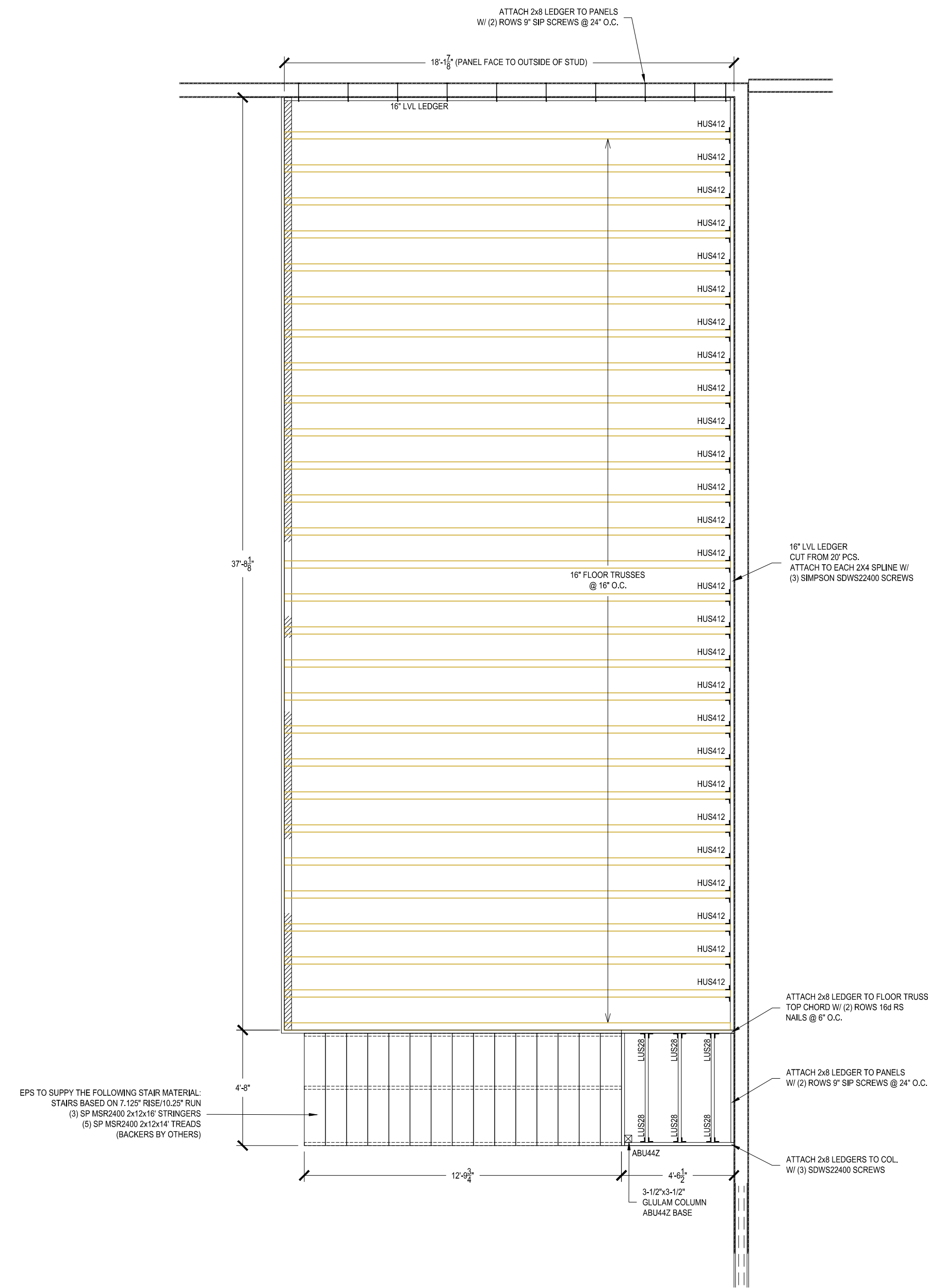
WINDOW SCHEDULE										
Remarks	Number	Quantity	Rough Width	Rough Height	Head Height	Header	Bearing Studs (Each Side)	Full Studs (Each Side)	Head Detail	Jamb Detail
WINDOW (BY OTHERS)	10	1	5'-0"	4'-0"	6'-2 1/2"	(2) SP MSR 2400 2x10 HEADER	2	1	10/S3.0	2A/S3.0
WINDOW (BY OTHERS)	12	2	6'-0"	5'-0"	7'-0"	SIP PANEL ABOVE (FRAME OPENING W/ 2x MATERIAL)	--	--	--	--
WINDOW (BY OTHERS)	13	1	24'-0"	5'-0"	9'-0"	(2) PLY 1-3/4" x 18" LVL BOX	2	3	9/S3.0	--
WINDOW (BY OTHERS)	14	1	5'-0"	5'-10"	9'-0"	SIP PANEL ABOVE (FRAME OPENING W/ 2x MATERIAL)	--	--	--	--

**GENERAL LAYOUT NOTES:**

1. Complete truss engineering and analysis can be found on the Truss Design Drawings which may be used by the Truss Design Engineer as applicable. The trusses identified are designed as individual building components to be incorporated into the building to support the loads specified on the individual truss drawings. The Contractor/owner is to verify that no other load, from the overall building system, is imposed on these trusses.
2. Any discrepancies between the dimensions and conditions specified on this layout versus the approved for construction prints should be reported prior to truss fabrication.
3. Never exceed the design loading shown and never stack materials on inadequately braced trusses.
4. Do NOT cut or alter truss location without prior approval of Energy Panel Structures. All connections must be made in such a way as to prevent splitting. Pre-drill if necessary.
5. Design assumes trusses will be suitably protected from the environment in accord with ANSI/TPI 1 2014.
6. The required permanent bracing for the truss top chord, bottom chord, and webs are specified on the individual truss drawing. See EPS drawings for requirements.
7. For general guidance regarding bracing consult BCSI Guide to good practice for handling, installing, and bracing of metal plate connected wood trusses available from the Truss Plate Institute, 218 North Lee St., Ste. 312, Alexandria, VA 22314 - (703) 683-1010 - [www.tpiinst.org](http://www.tpiinst.org)

**GENERAL SAFETY NOTES:**

1. Failure to follow all notes could cause property damage or personal injury!
2. Until the building is completely erected in accordance with the construction documents, the trusses are unstable and may present a safety hazard. Truss instability may increase with building width, height, and length.
3. Buildings under construction are vulnerable to high winds and present a safety hazard. It is the responsibility of the contractor and truss installation crew to brace components adequately.
4. Review all information provided in the JOBSITE PACKAGE to ensure compliance with industry recommendations.



2nd LEVEL FLOOR HANGER SCHEDULE			
Quantity	Product Description	Fasteners to Header	Fasteners to Joists
1	SIMPSON ABU442	(12) 16d POST	-
27	SIMPSON HUS412	(16) 10d	(10) 10d
6	SIMPSON LUS26	(8) 10d x 1-1/2"	(8) 10d

**1 FLOOR TRUSS LAYOUT**  
SCALE: Custom



PROJECT NUMBER:  
2025/SC/IA95698

CUSTOMER SERVICE:  
BRIAN D.  
DRAWN BY:  
CHRIS K.  
REVIEWED BY:  
DAVE M.

DATE:  
04/08/25

REVISIONS:  
04/11/25

-

Print Date: 4/11/2025

PROFESSIONAL ENGINEER  
I hereby certify that this plan, specification or report was prepared by me or under my direct supervision and that I am a duly Licensed Professional Engineer under the laws of the State of Louisiana.  
Name: Chris K. Number: License: 42199  
Date: 04/10/25

DEALER:  
WELP CONST.  
PROJECT TITLE:  
LAKEFIELD LIQUOR  
SOLID CORE BUILDING PACKAGE

SHEET TITLE:  
**SECOND LEVEL  
FLOOR FRAMING**

PROJECT STATUS:

SHEET:  
**S1.20**

**GENERAL LAYOUT NOTES:**

1. Complete truss engineering and analysis can be found on the Truss Design Drawings which may be sealed by the Truss Design Engineer as applicable. The trusses identified are designed as individual building components to be incorporated into the building to support the loads specified on the individual truss drawings. The Contractor is to verify that no other load, from the overall building system, is imposed on these trusses.
2. Any discrepancies between the dimensions and conditions specified on this layout versus the approved for construction prints should be reported prior to truss fabrication.

**GENERAL SAFETY NOTES:**

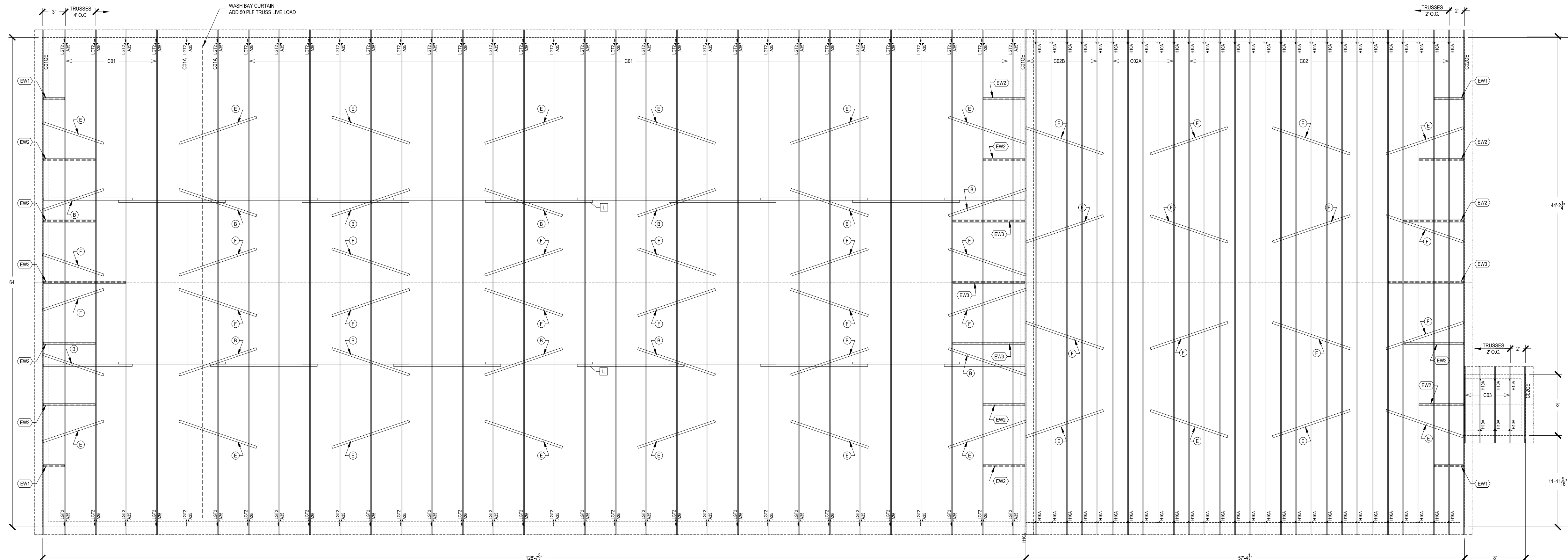
3. Never exceed the design loading shown and never stack materials on inadequately braced trusses.
4. Do NOT cut or alter truss location without prior approval of Energy Panel Structures. All connections must be made in such a way as to prevent splitting. Pre-drill if necessary.
5. Design assumes trusses will be suitably protected from the environment in accord with ANSITP 1-2014.
6. The required permanent bracing for the truss top chord, bottom chord, and webs are specified on the individual truss drawing. See EPS drawings for requirements.

**GENERAL SAFETY NOTES:**

7. For general guidance regarding bracing consult BCSI Guide to good practice for handling, installing, and bracing of metal plate connected wood trusses available from the Truss Plate Institute, 218 North Lee St., Ste. 312, Alexandria, VA 22314 - (703) 683-1010 - www.tpiinst.org

**GENERAL SAFETY NOTES:**

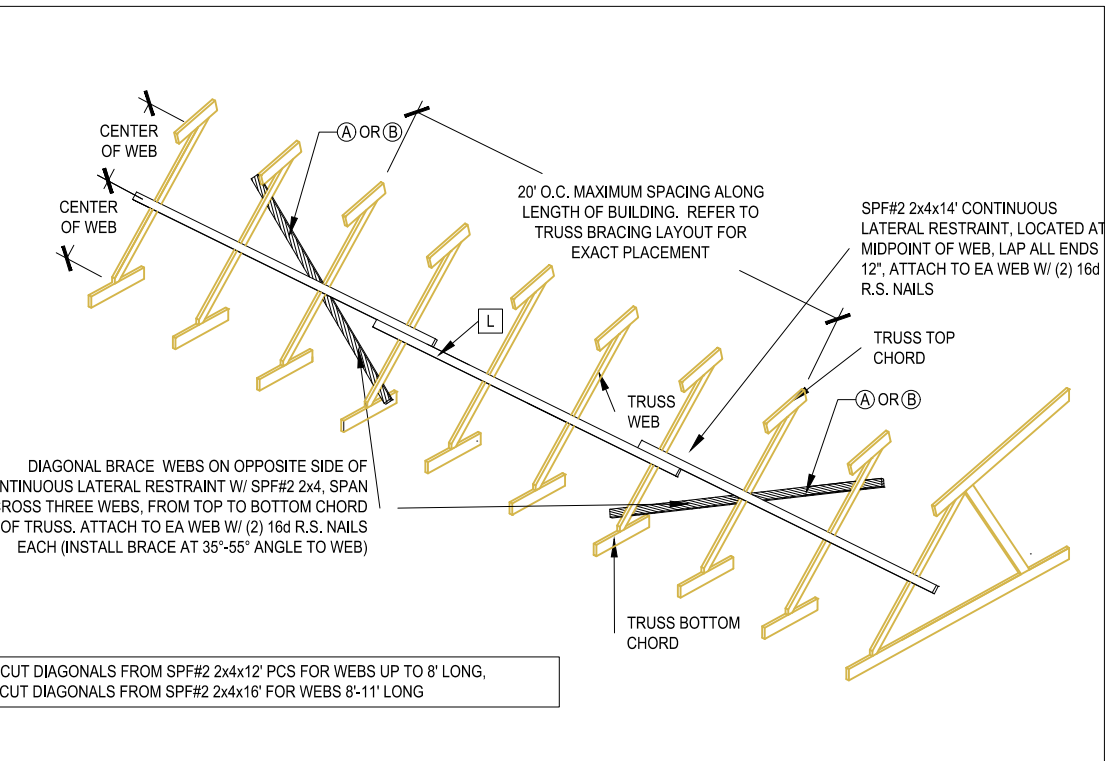
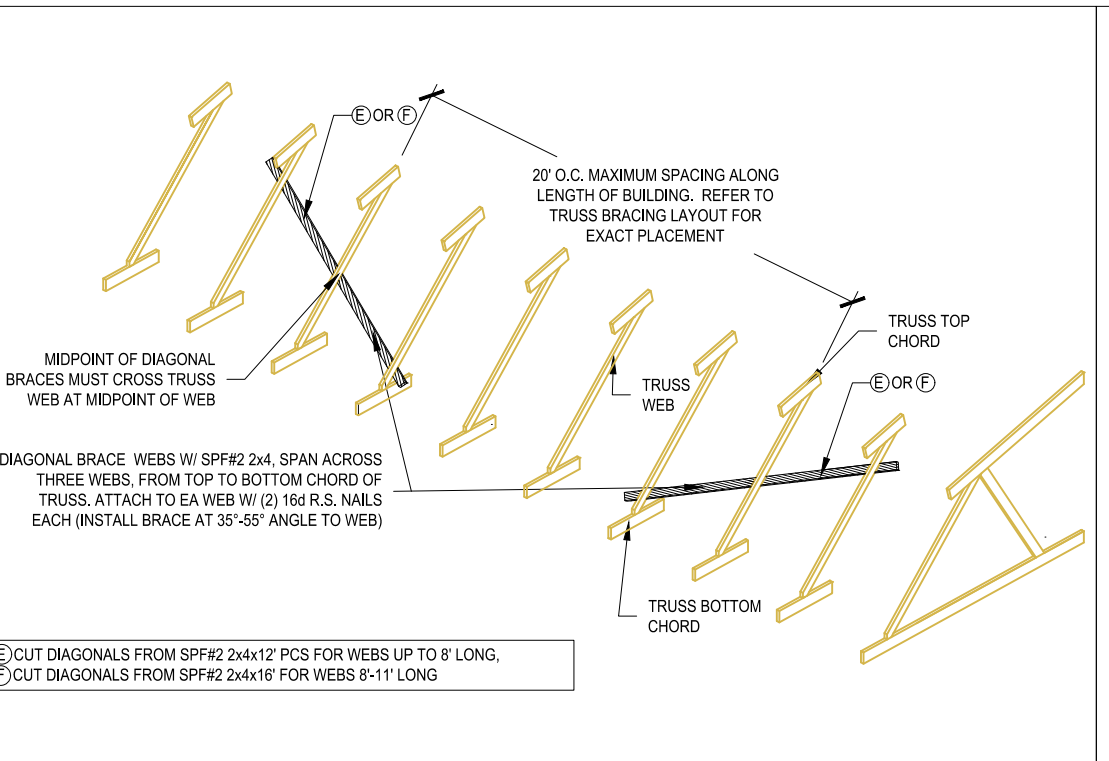
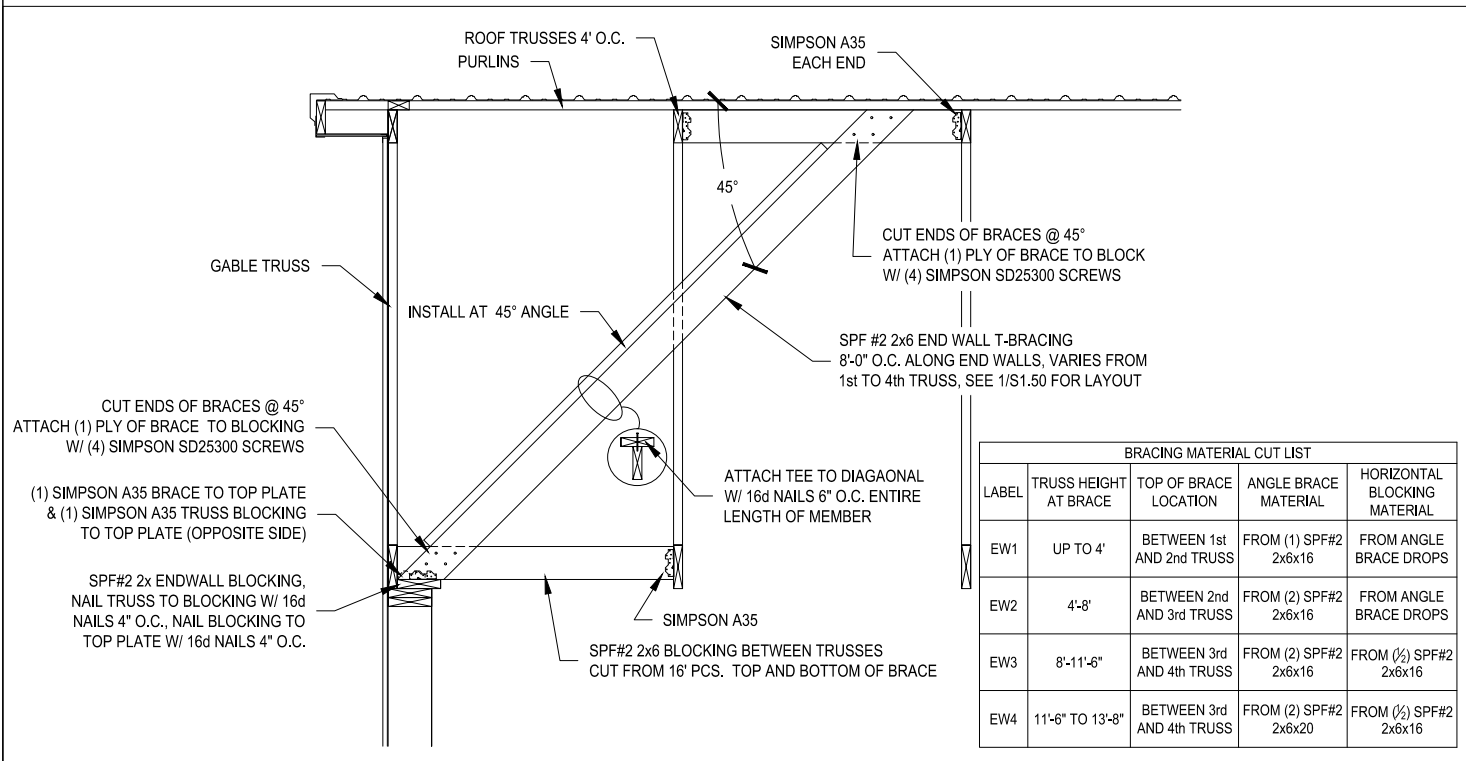
1. Failure to follow all notes could cause property damage or personal injury!
2. Until the building is completely erected in accordance with the construction documents, the trusses are unstable and may present a safety hazard. Truss instability may increase with building width, height, and length.
3. Buildings under construction are vulnerable to high winds and present a safety hazard. It is the responsibility of the contractor and truss installation crew to brace components adequately.
4. Review all information provided in the JOBSITE PACKAGE to ensure compliance with industry recommendations.



ALL ROOF TRUSSES DESIGNED WITH ADDITIONAL 5 PSF T/COL AND 3 PSF BCCL AND 200 MOVABLE IC 71 LOAD FOR SPRINKLER SYSTEM

ROOF HANGER SCHEDULE			
Quantity	Product Description	Fasteners to Header	Fasteners to Joists
64	SIMPSON A35	(8) 10d x 1-1/2"	(8) 10d x 1-1/2"
62	SIMPSON H10A	(9) 10d x 1-1/2"	(9) 10d x 1-1/2"
64	SIMPSON LGT2	(14) 10d x 1-1/2"	(16) 10d x 1-1/2"

**1 - TRUSS PLACEMENT & BRACING LAYOUT**



**2 - ENDWALL T-BRACING**

**3 - ATTIC DIAGONAL BRACES- NO LATERALS**

**4 - (1) RUN LATERAL BRACE, WEB < 11' LONG**

**EPS**  
AN EMPLOYEE-OWNED COMPANY  
ENERGY PANEL STRUCTURES  
102 EAST INDUSTRIAL PARK  
GRAETTINGER, LA 51342  
PHONE: 712-859-3219  
FAX: 712-859-3275  
WWW.EPSBUILDINGS.COM

PROJECT NUMBER:  
**2025/SC/IA95698**

CUSTOMER SERVICE:  
**BRIAN D.**

DRAWN BY:  
**CHRIS K.**

REVIEWED BY:  
**DAVE M.**

DATE:  
**04/08/25**

REVISIONS:  
**04/11/25**

Print Date: 4/11/2025

PROFESSIONAL ENGINEER  
I hereby certify that this plan, specification or report was prepared by me or under my direct supervision and that I am a duly Licensed Professional Engineer under the laws of the State of Louisiana.  
Name: Chris Krnauer License: 42199  
Date: 04/10/25

DEALER:  
**WELP CONST.**

PROJECT TITLE:  
**LAKEFIELD LIQUOR  
SOLID CORE BUILDING PACKAGE**

**ROOF FRAMING  
PLAN**

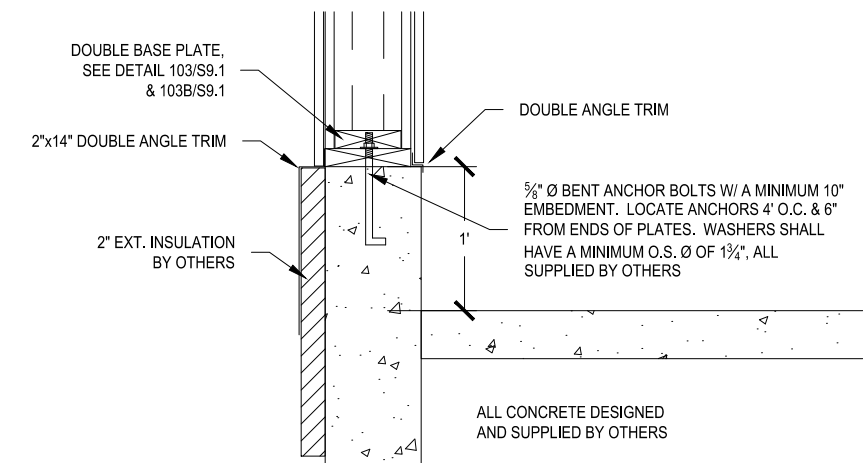
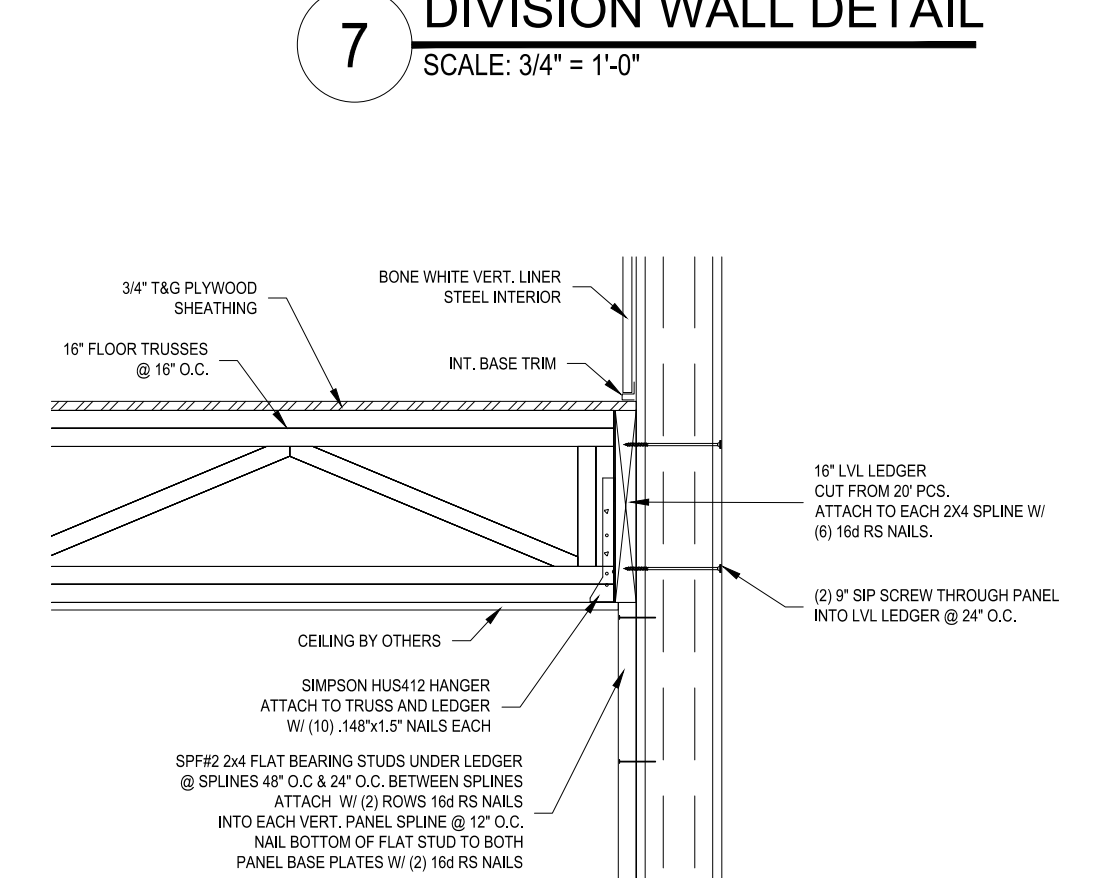
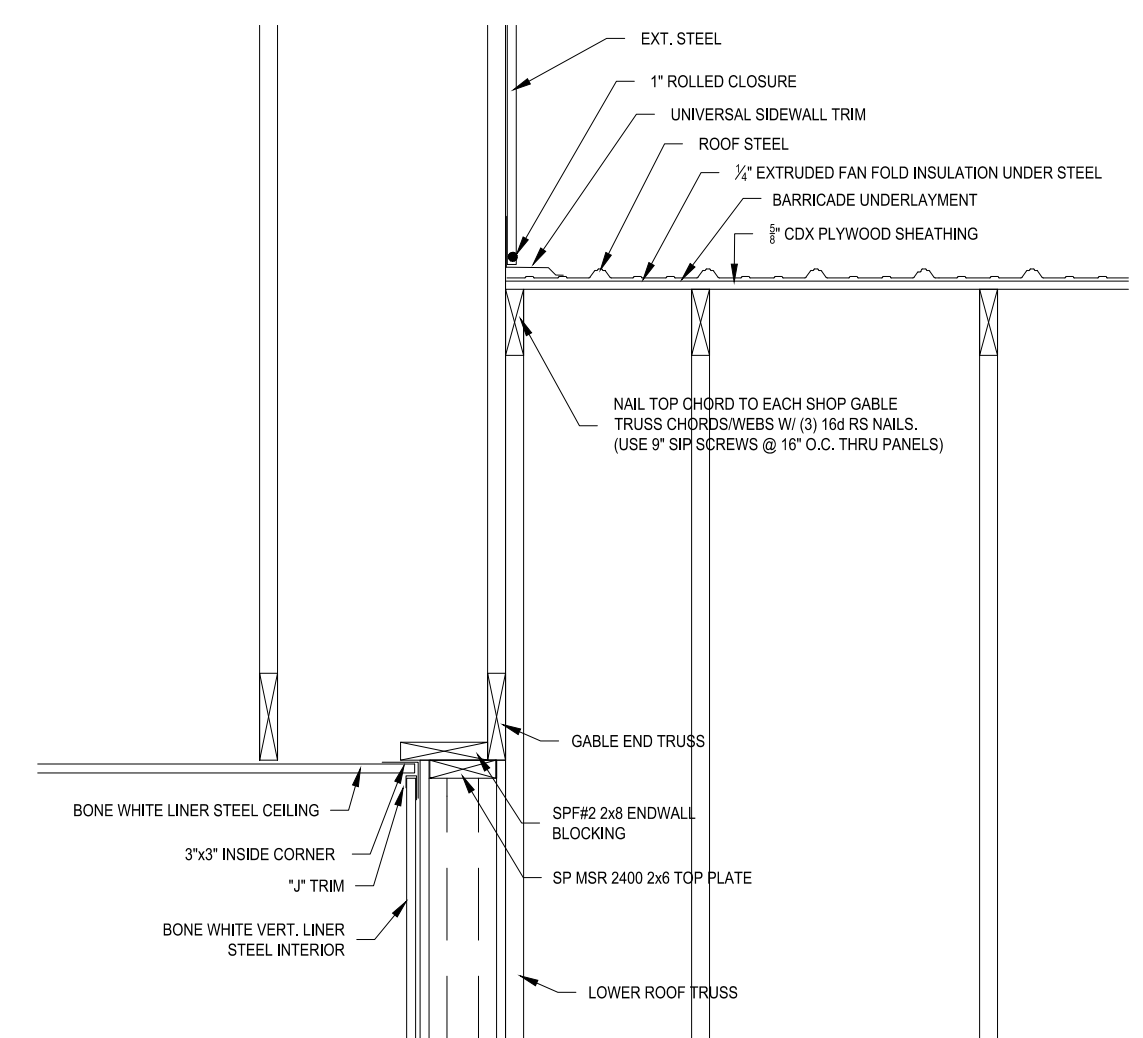
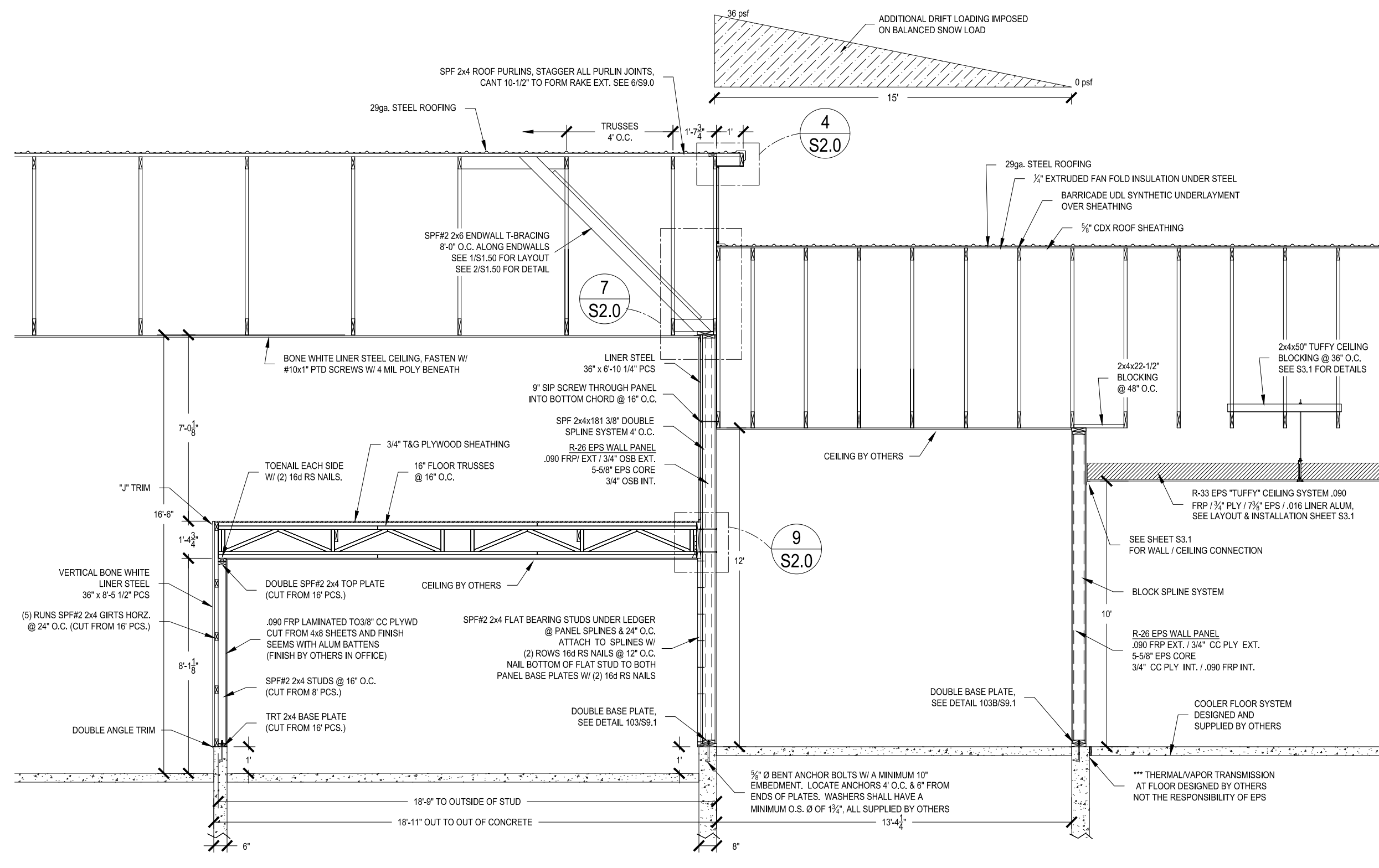
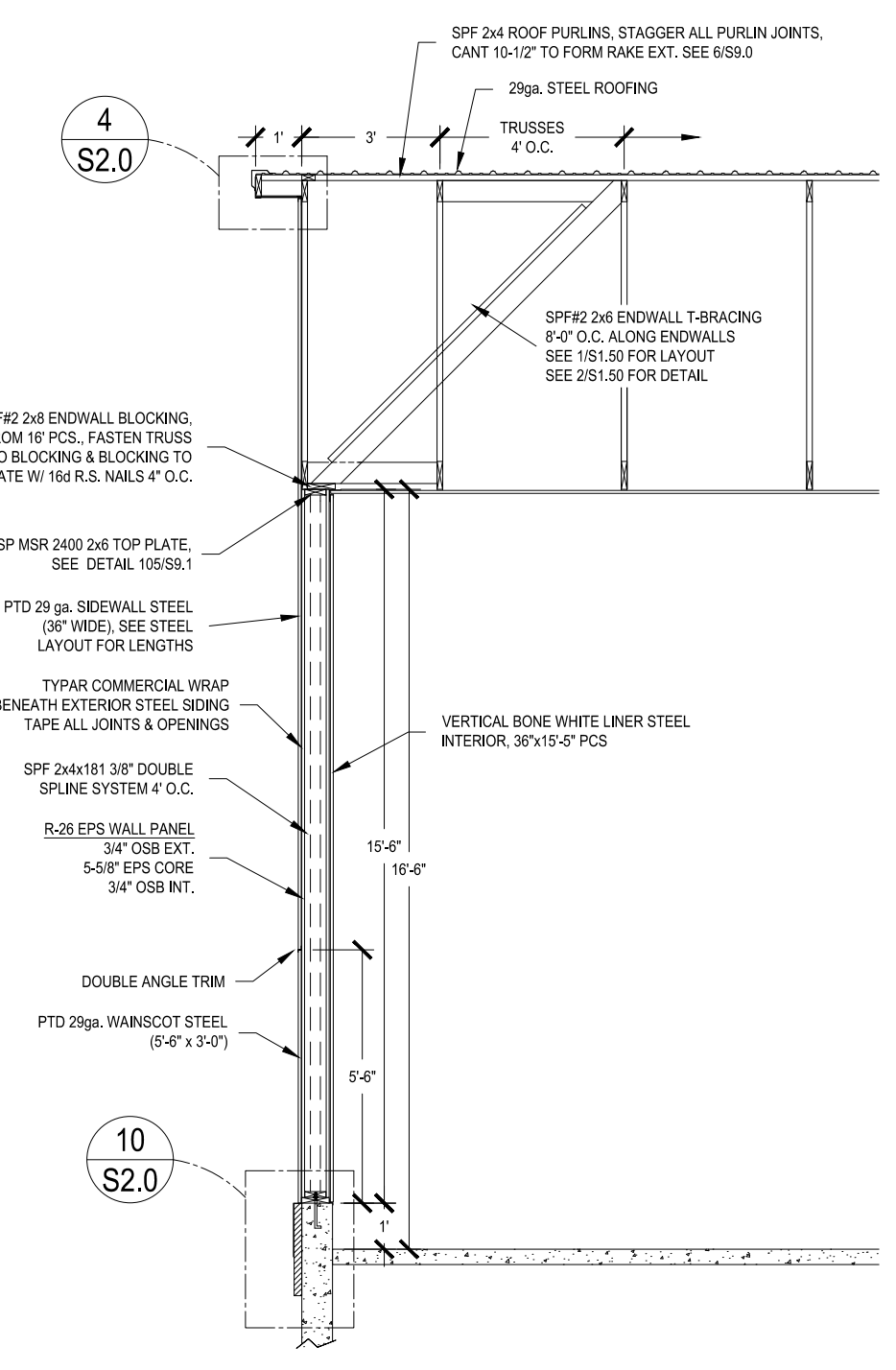
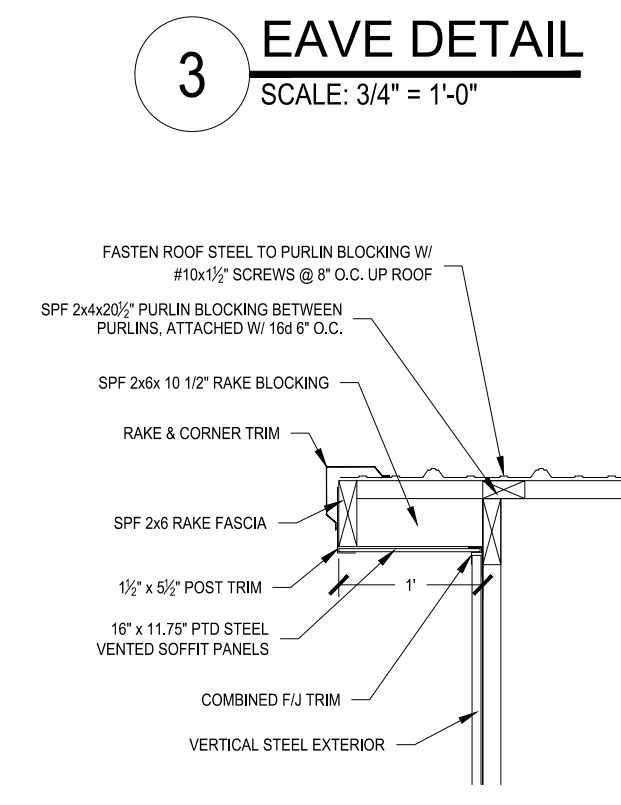
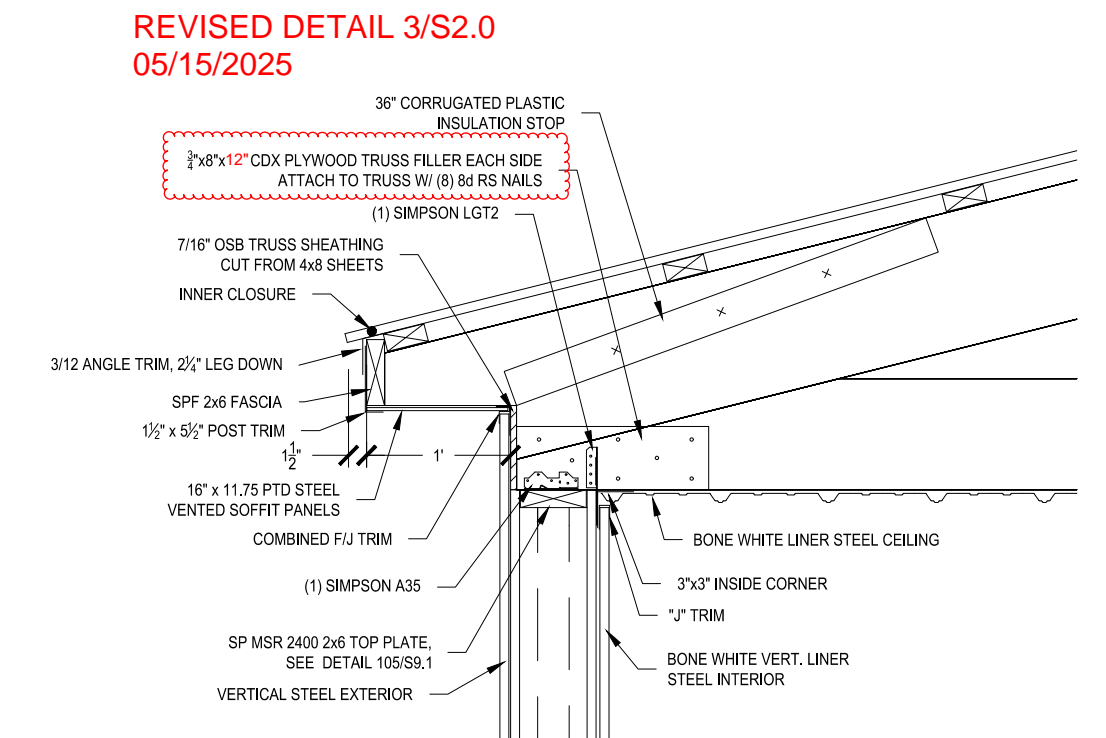
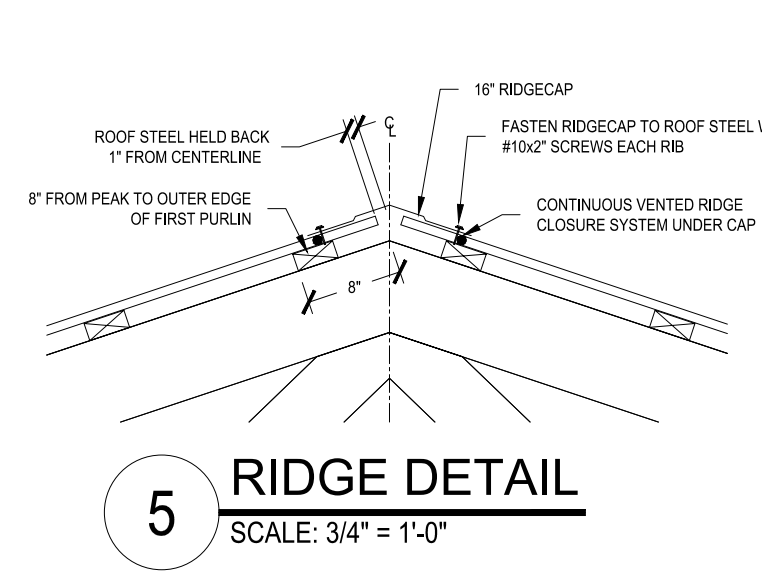
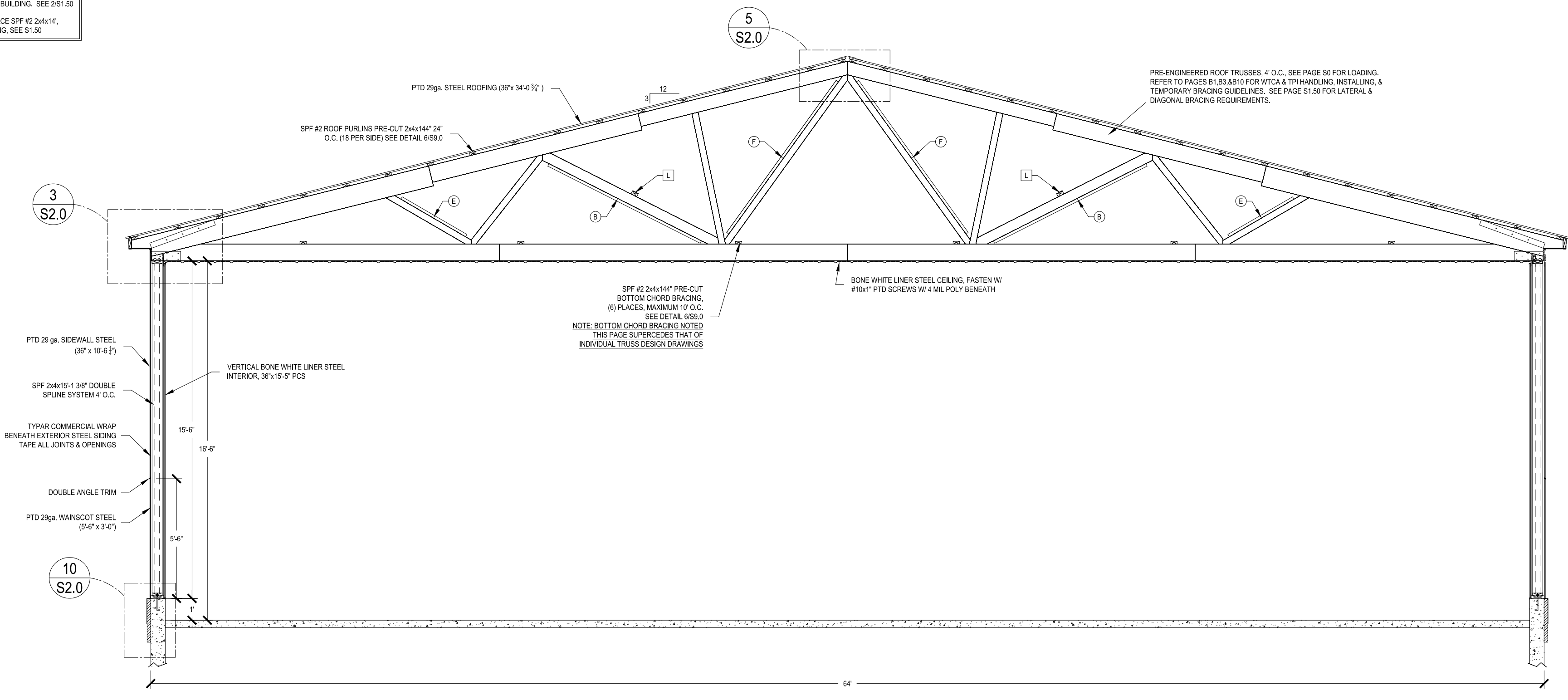
SHEET TITLE:

PROJECT STATUS:

SHEET:  
**S1.50**

THE BELOW TABLE SPECIFIES THE PERMANENT ROOF TRUSS WEB BRACING FOR THE ROOF SYSTEM. USE IN CONJUNCTION WITH INDIVIDUAL TRUSS DESIGN DRAWINGS AND THE BC3M MANUAL.

B	DIAGONAL BRACE (1) SFF #2 2x4x14 MATERIAL @ 20' O.C. ENTIRE LENGTH OF BUILDING. SEE 4/5/15/20
E	DIAGONAL BRACE W/ SFF#2 2x4x12 MATERIAL @ 20' O.C. ENTIRE LENGTH OF BUILDING. SEE 2/5/15/20
L	DIAGONAL BRACE W/ SFF#2 2x4x14 MATERIAL @ 20' O.C. ENTIRE LENGTH OF BUILDING. SEE 2/5/15/20
P	CONTINUOUS LATERAL BRACE SFF #2 2x4x14 ENTIRE LENGTH OF BUILDING. SEE 5/15/20



**EPS**  
AN EMPLOYEE-OWNED COMPANY

ENERGY PANEL STRUCTURES  
102 EAST INDUSTRIAL PARK  
GRATTTINGER, LA 51342  
PHONE: 712-859-3219  
FAX: 712-859-3275  
WWW.EPSBUILDINGS.COM

PROJECT NUMBER:  
2025/SC/IA95698

CUSTOMER SERVICE:  
BRIAN D.

DRAWN BY:  
CHRIS K.

REVIEWED BY:  
DAVE M.

DATE:  
04/08/25

REVISIONS:  
04/11/25

Print Date: 4/11/2025

PROFESSIONAL ENGINEER  
I hereby certify that this plan, specification or report was prepared by me or under my direct supervision and that I am a duly Licensed Professional Engineer under the laws of the State of Minnesota.  
Name: Chris Kramer License: 42199 Date: 04/10/25

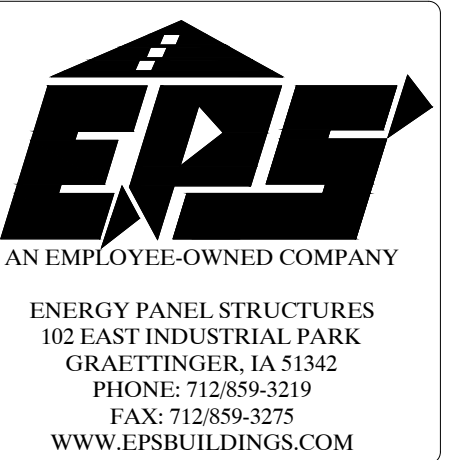
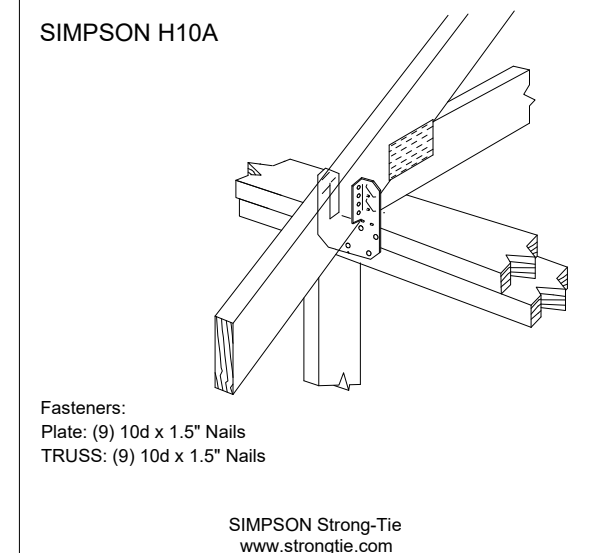
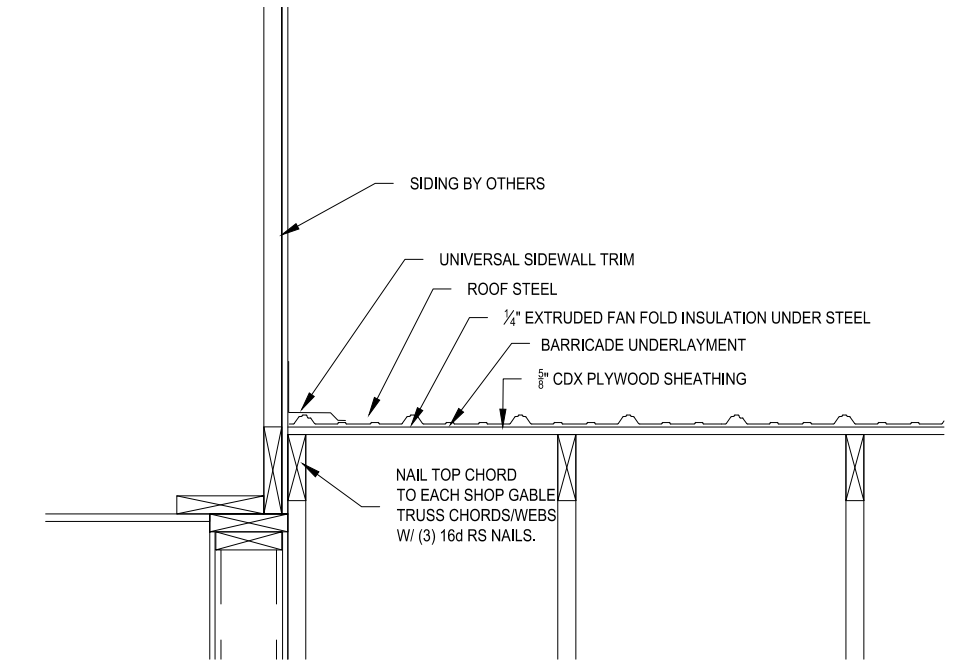
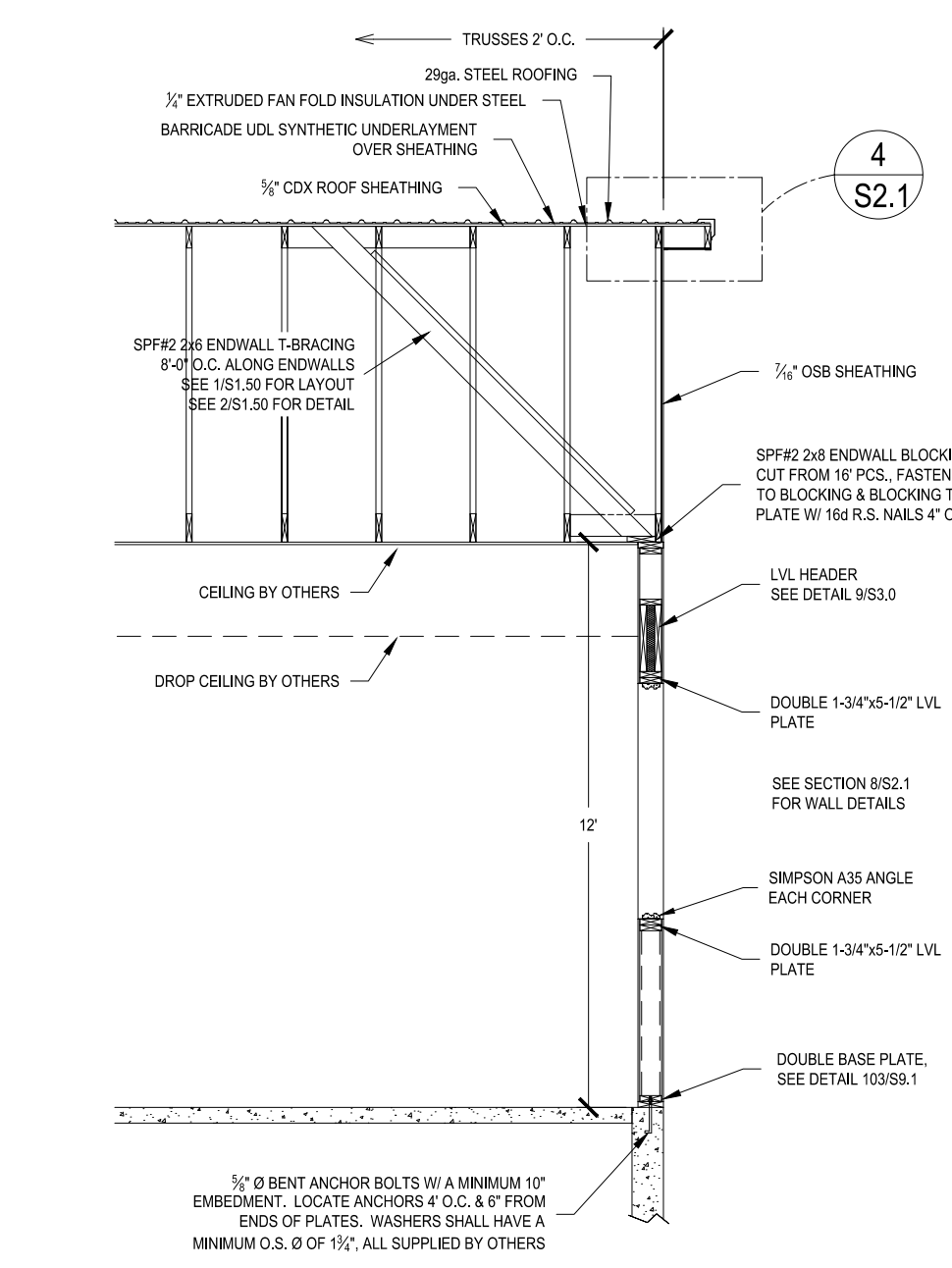
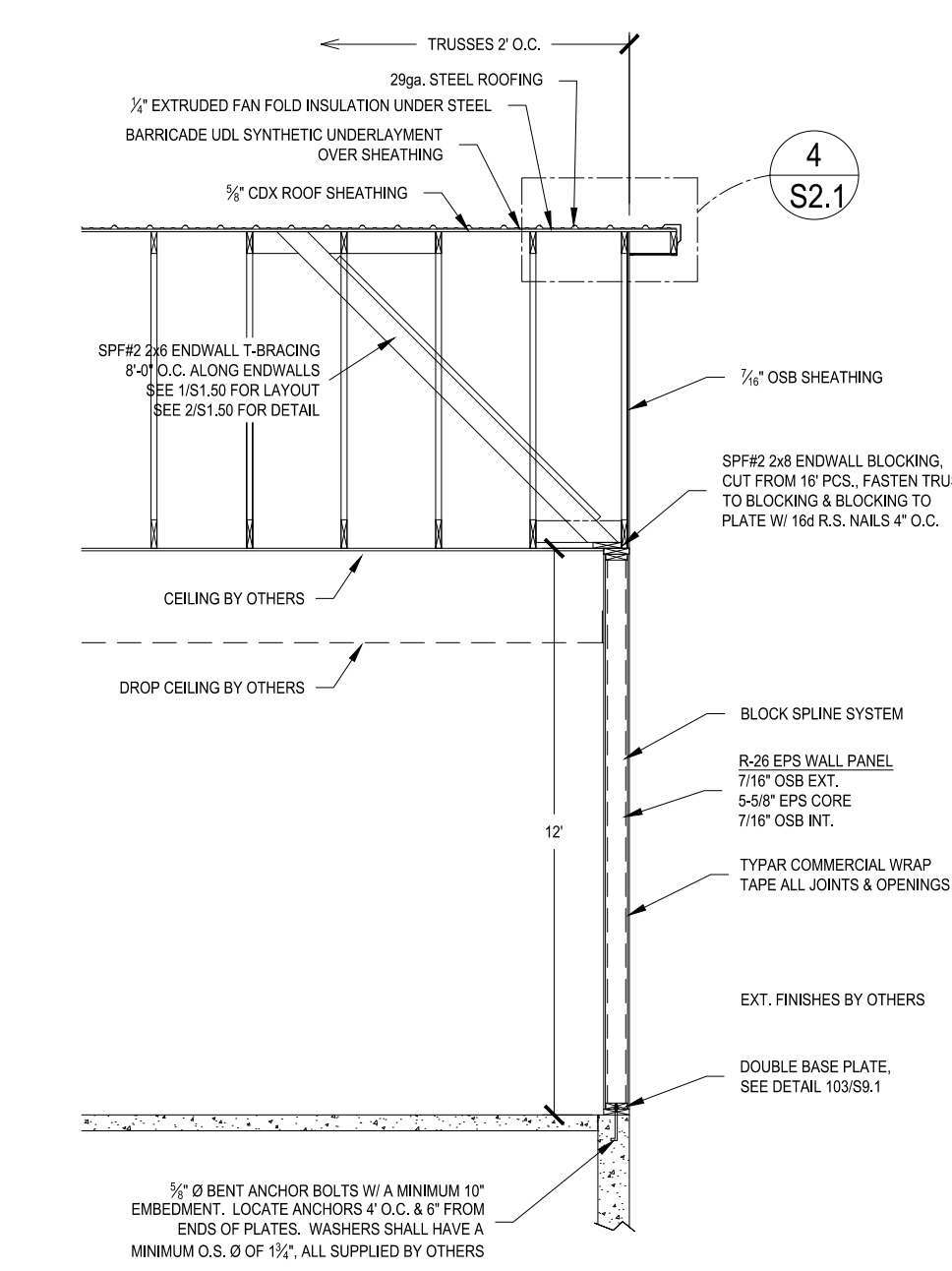
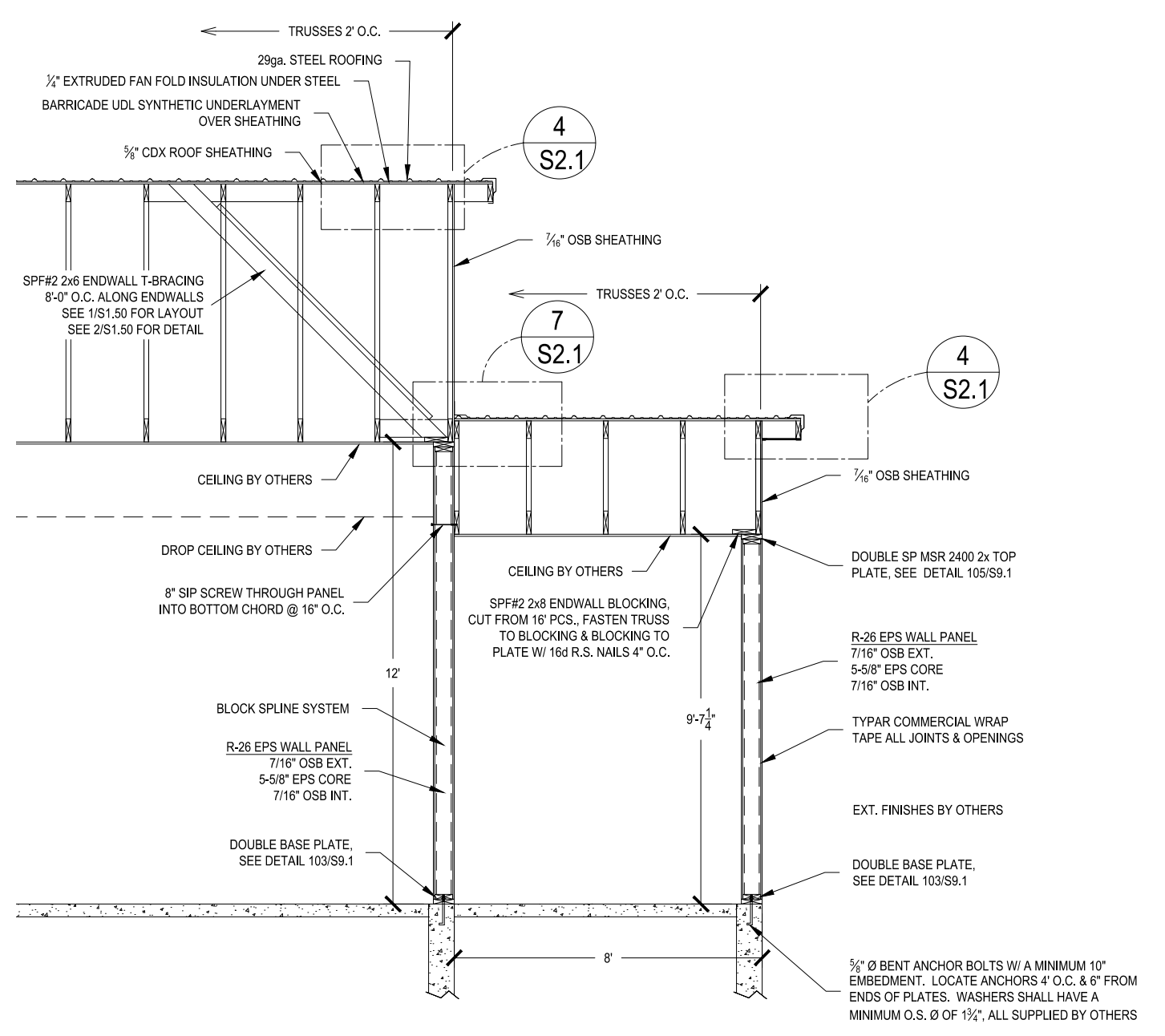
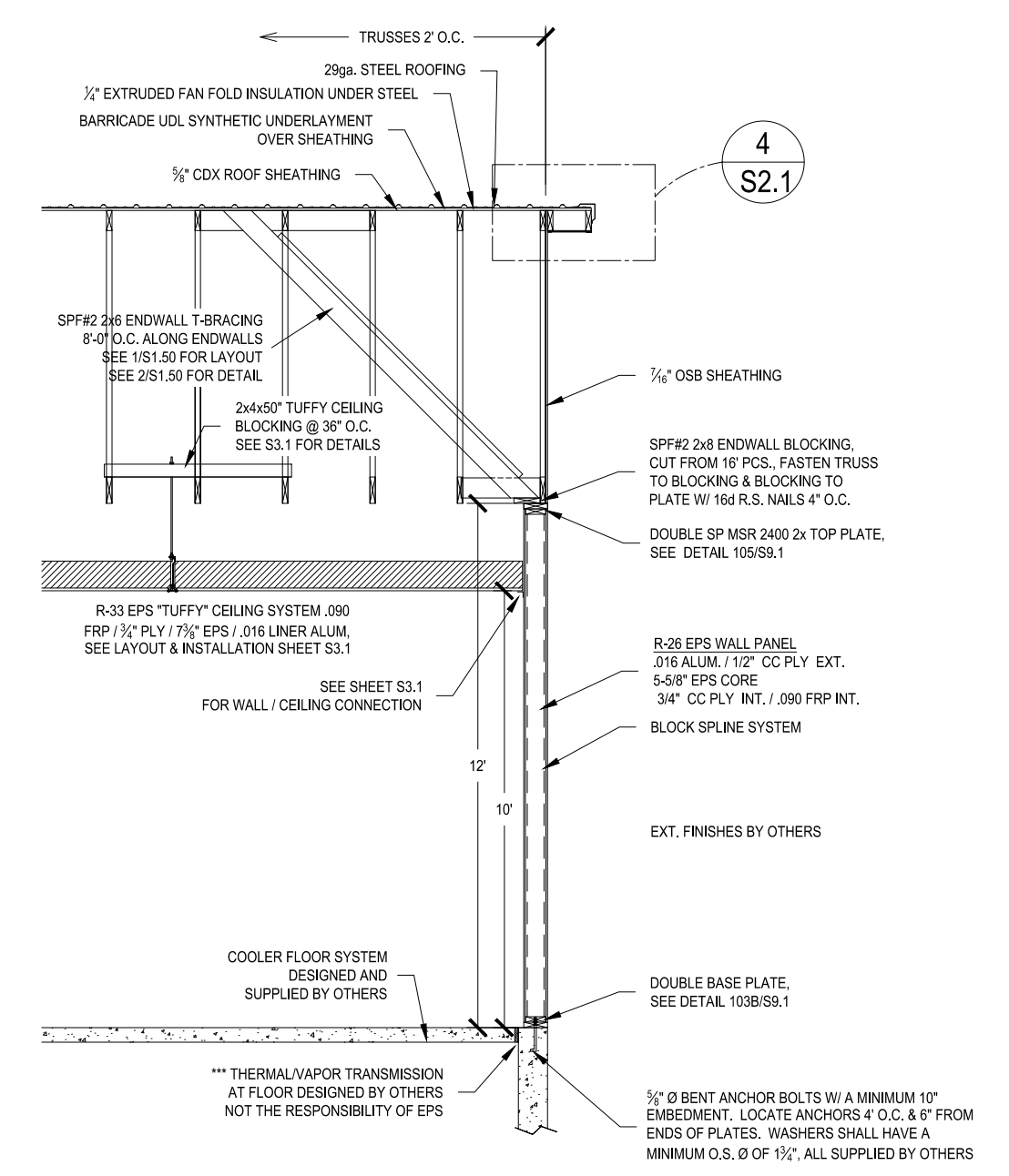
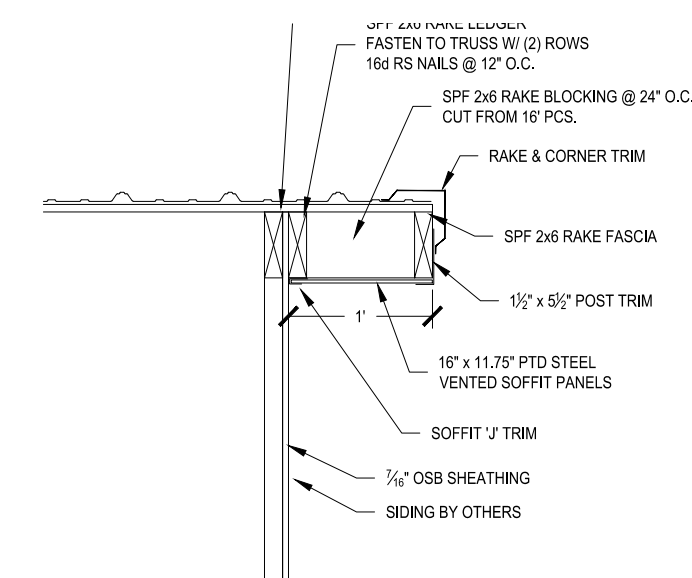
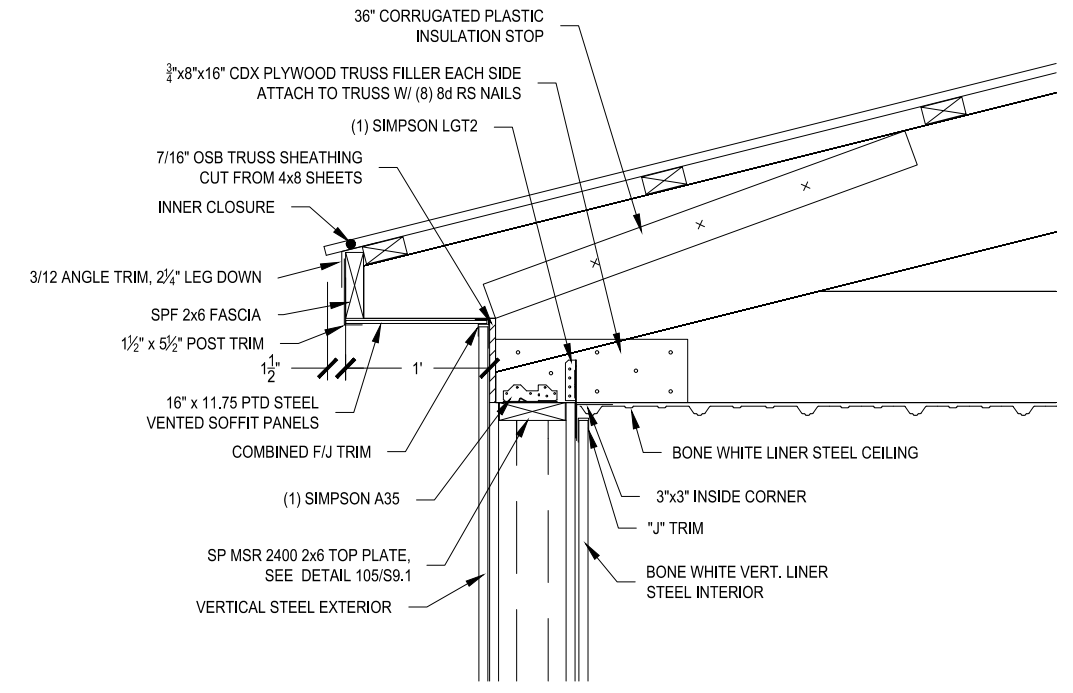
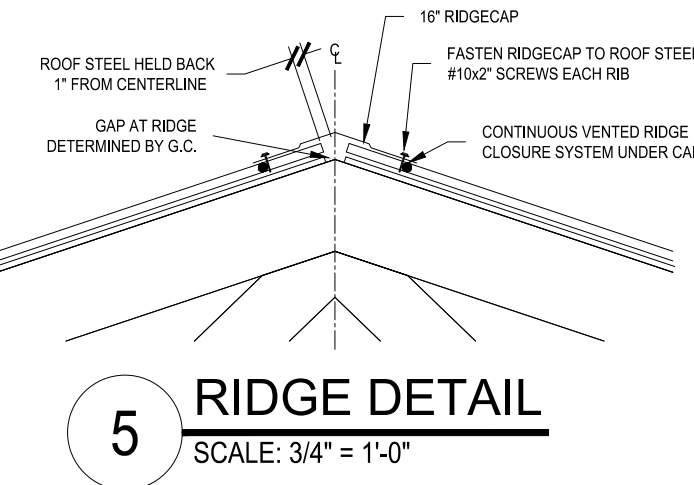
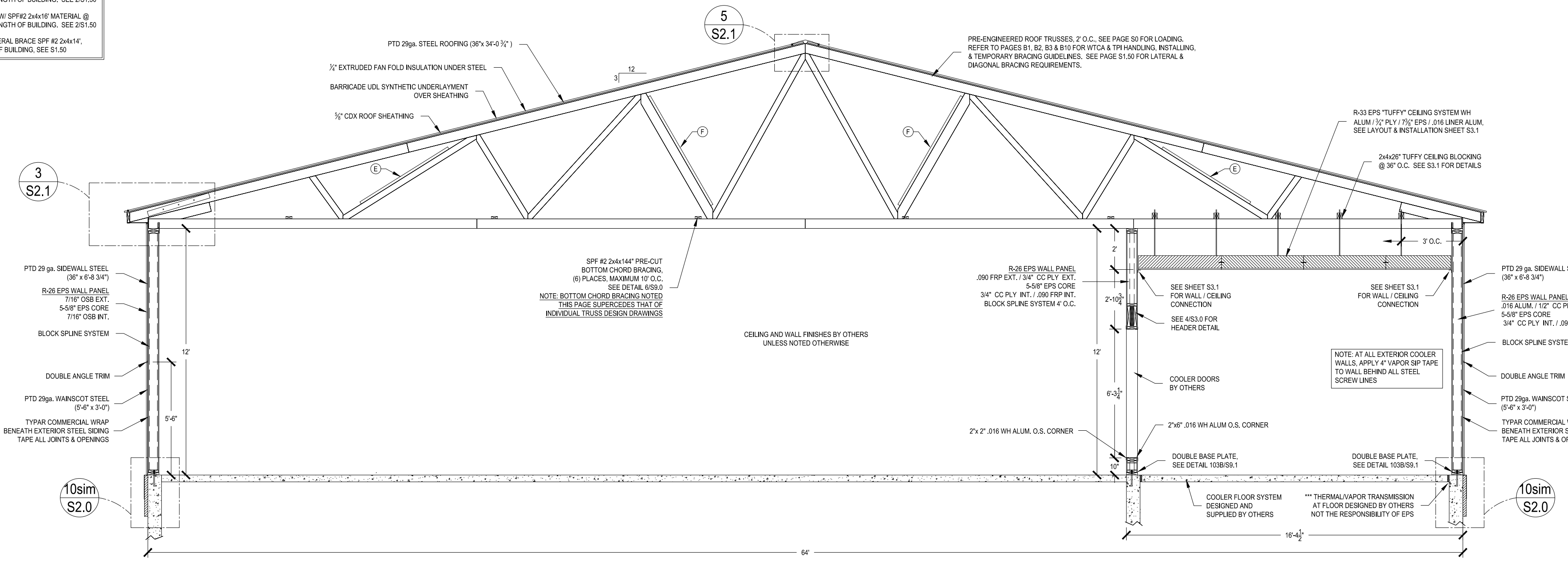
DEALER:  
WELP CONST.

PROJECT TITLE:  
LAKEFIELD LIQUOR  
SOLID CORE BUILDING PACKAGE

**BUILDING SECTIONS**

SHEET TITLE:  
PROJECT STATUS:  
SHEET:  
**S2.0**

THE BELOW TABLE SPECIFIES THE PERMANENT ROOF TRUSS WEB BRACING FOR THIS ROOF SYSTEM. USE IN CONJUNCTION WITH INDIVIDUAL TRUSS DESIGN DRAWINGS AND THE R228 MANUAL.	
(B)	DIAGONAL BRACE (1) SFF #2 2x4x1/4" MATERIAL @ 20' O.C. ENTIRE LENGTH OF BUILDING. SEE 451.50
(C)	DIAGONAL BRACE W/ SFF#2 2x4x1/2" MATERIAL @ 20' O.C. ENTIRE LENGTH OF BUILDING. SEE 281.50
(F)	DIAGONAL BRACE W/ SFF#2 2x4x1/4" MATERIAL @ 20' O.C. ENTIRE LENGTH OF BUILDING. SEE 281.50
(L)	CONTINUOUS LATERAL BRACE SFF #2 2x4x1/4" ENTIRE LENGTH OF BUILDING. SEE 81.50



PROJECT NUMBER:  
2025/SC/IA95698

CUSTOMER SERVICE:  
BRIAN D.

DRAWN BY:  
CHRIS K.

REVIEWED BY:  
DAVE M.

DATE:  
04/08/25

REVISIONS:  
04/11/25

Print Date: 4/11/2025

PROFESSIONAL ENGINEER  
I hereby certify that this plan, specification or report was prepared by me or under my direct supervision and that I am a duly Licensed Professional Engineer under the laws of the State of Minnesota.  
Name: Chris Kramer License: 12199 Date: 04/10/25

DEALER:  
WELP CONST.

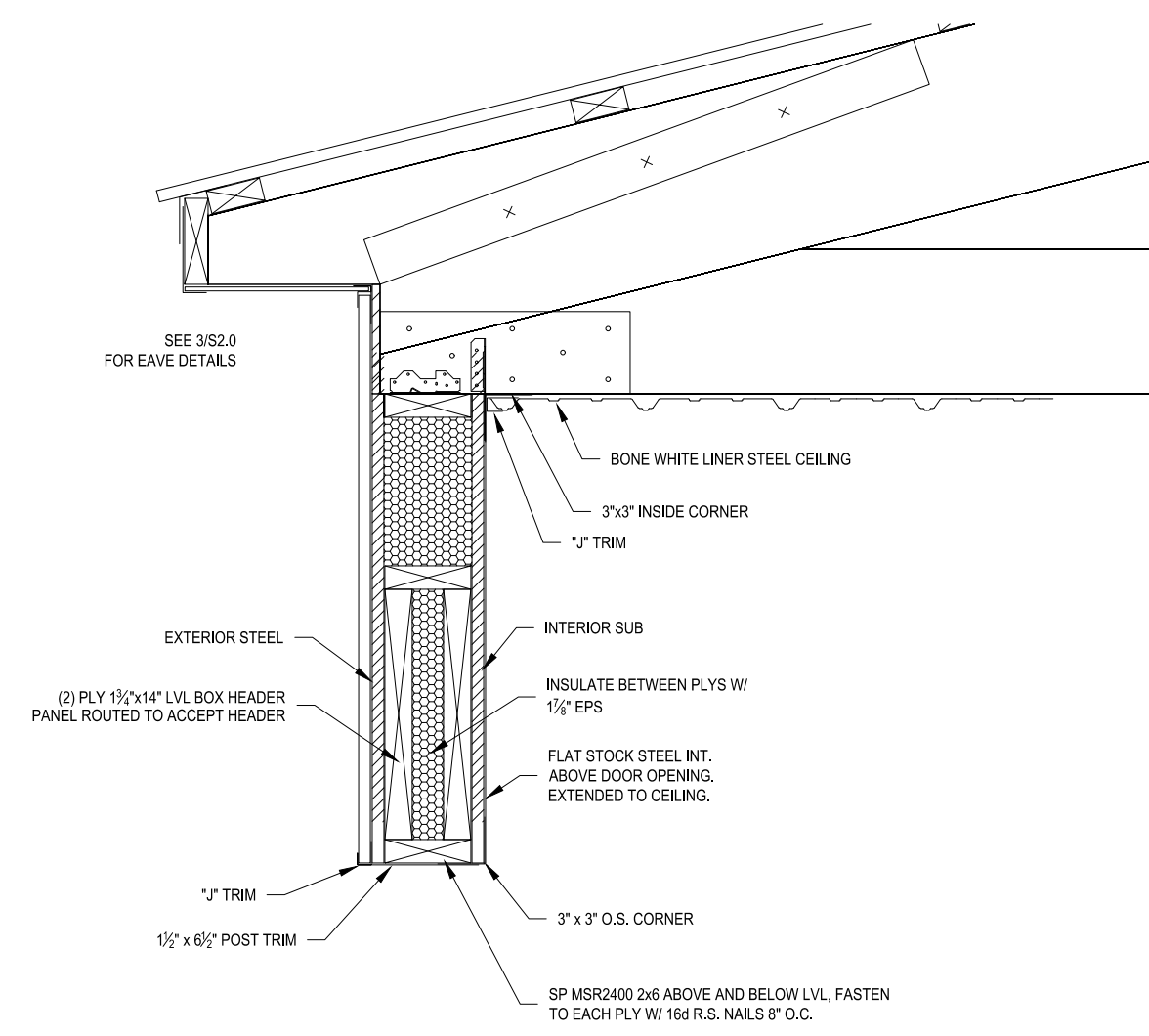
PROJECT TITLE:  
LAKEFIELD LIQUOR  
SOLID CORE BUILDING PACKAGE

BUILDING SECTIONS

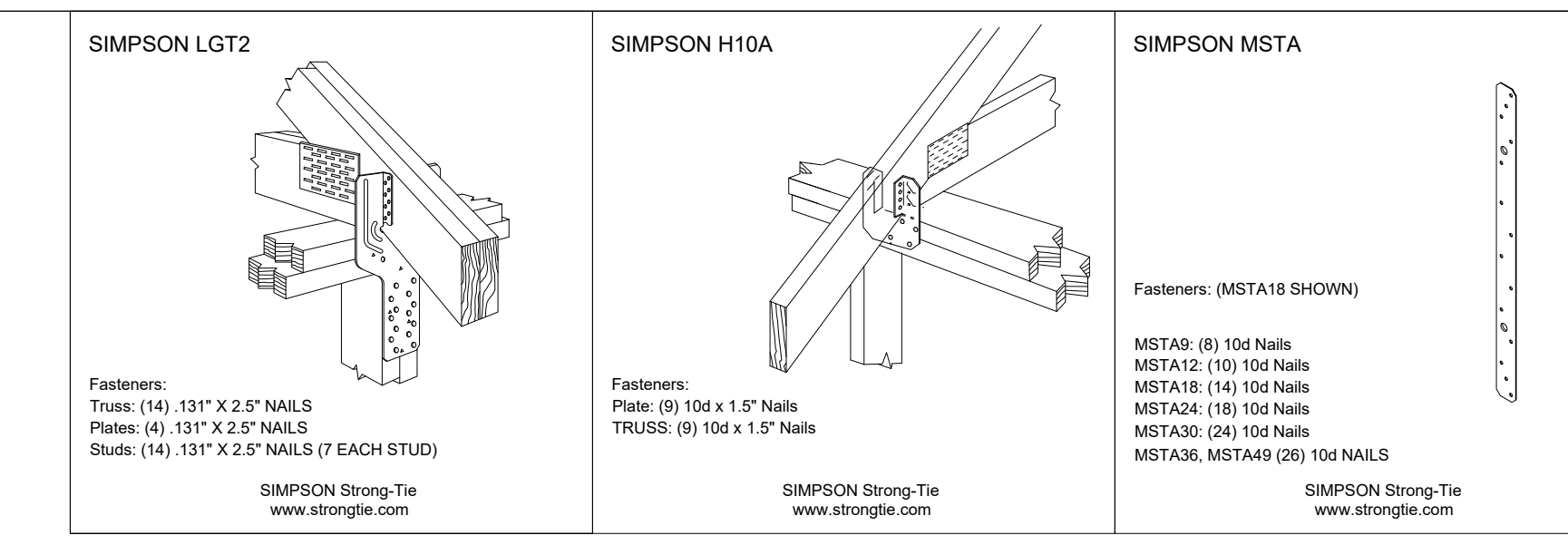
SHEET TITLE:  
PROJECT STATUS:  
SHEET:  
S2.1

DOOR OPENING/HEADER SCHEDULE										
Remarks	Number	Quantity	Rough Width	Rough Height	Head Height	Header	Bearing Studs (Each Side)	Full Studs (Each Side)	Head Detail	Jamb Detls
PLYCO 92 - WHITE	100	1	3'-4 1/2"	7'-2 1/2"	6'-2 1/2"	SIP HEADER (FRAME OPENING W/ 2x MATERIAL)	-	-	-	1A/S3.0
PLYCO 92 - WHITE	101	1	3'-4 1/2"	7'-2 1/2"	6'-2 1/2"	(2) SP MSR 2400 2x10 HEADER	2	1	10/S3.0	1A/S3.0
PLYCO 92 - WHITE	102	1	3'-4 1/2"	7'-2 1/2"	7'-2 1/2"	(2) SP MSR 2400 2x10 HEADER	2	1	10/S3.0	1B/S3.0
ENTRANCE DOOR (BY OTHERS)	103	1	6'-4 1/2"	9'-4 1/4"	9'-4 1/4"	FRAME OPENING W/ 2x MATERIAL	-	2	-	-
ENTRANCE DOOR (BY OTHERS)	104	1	6'-4 1/2"	7'-2 1/4"	7'-2 1/4"	SIP PANEL ABOVE	-	2	-	-
COOLER DOOR (BY OTHERS)	105	1	3'-1 5/8"	6'-9 1/4"	6'-9 1/4"	SIP PANEL ABOVE	-	1	-	1C/S3.0
COOLER DOOR (BY OTHERS)	106	2	18'-0 1/2"	6'-3 1/4"	7'-1 1/4"	(2) PLY 1-3/4" x 11-7/8" LVL BOX	1	1	4/S3.0	1C/S3.0
PLYCO 92 - WHITE	107	1	3'-4 1/2"	7'-2 1/2"	6'-2 1/2"	(2) SP MSR 2400 2x10 HEADER	2	1	10/S3.0	1D/S3.0
PLYCO 20 - DOUBLE - WHITE	108	1	6'-5 5/8"	6'-9 3/4"	6'-9 3/4"	(2) SPF#2 2x6 BOX HEADER	1	1	-	1B/S3.0 SI
PLYCO 20 - DOUBLE - WHITE	109	1	6'-5 5/8"	6'-9 3/4"	6'-9 3/4"	(2) SPF#2 2x6 BOX HEADER	1	1	-	-
PLYCO 20 - WHITE	110	2	3'-4 1/2"	6'-9 3/4"	6'-9 3/4"	(2) SPF#2 2x8 BOX HEADER	1	1	-	1B/S3.0
PLYCO 20 - WHITE	111	1	3'-4 1/2"	6'-9 3/4"	6'-9 3/4"	(2) SPF#2 2x8 BOX HEADER	1	1	-	1D/S3.0
PLYCO 20 - WHITE	112	1	3'-4 1/2"	6'-9 3/4"	6'-9 3/4"	(2) SPF#2 2x8 BOX HEADER	1	1	-	1B/S3.0 SI
OH DOOR (BY OTHERS)	400	5	12'-0"	14'-0"	13'-0"	(2) PLY 1-3/4" x 14" LVL	3	2	5/S3.0	3A/S3.0
OH DOOR (BY OTHERS)	401	1	7'-0"	8'-0"	8'-0"	(2) 11-7/8" LVL BOX UPPER & (2) SP MSR2400 2x10 LOWER	SEE ELEV.	2	8/S3.0	3B/S3.0
OH DOOR (BY OTHERS)	402	1	6'-0"	7'-0"	7'-0"	(2) SP MSR 2400 2x10 HEADER	1	1	4/S3.0	3C/S3.0

WINDOW SCHEDULE										
Remarks	Number	Quantity	Rough Width	Rough Height	Head Height	Header	Bearing Studs (Each Side)	Full Studs (Each Side)	Head Detail	Jamb Detail
WINDOW (BY OTHERS)	10	1	5'-0"	4'-0"	6'-2 1/2"	(2) SP MSR 2400 2x10 HEADER	2	1	10/S3.0	2A/S3.0
WINDOW (BY OTHERS)	12	2	6'-0"	5'-0"	7'-0"	SIP PANEL ABOVE (FRAME OPENING W/ 2x MATERIAL)	-	-	-	-
WINDOW (BY OTHERS)	13	1	24'-0"	5'-0"	9'-0"	(2) PLY 1-3/4" x 18" LVL BOX	2	3	9/S3.0	-
WINDOW (BY OTHERS)	14	1	5'-0"	5'-10"	9'-0"	SIP PANEL ABOVE (FRAME OPENING W/ 2x MATERIAL)	-	-	-	-

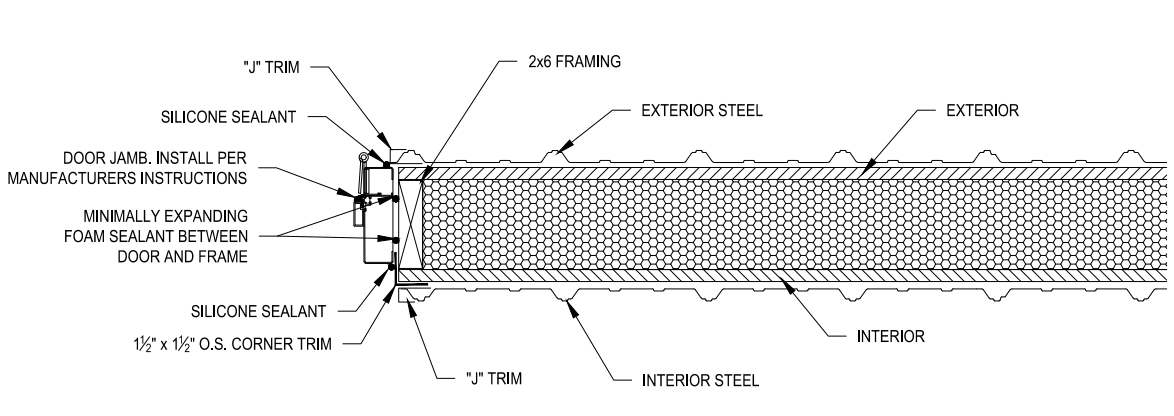


**5 OVERHEAD DOOR HEADER DETAIL**  
SCALE: 1" = 1'-0"

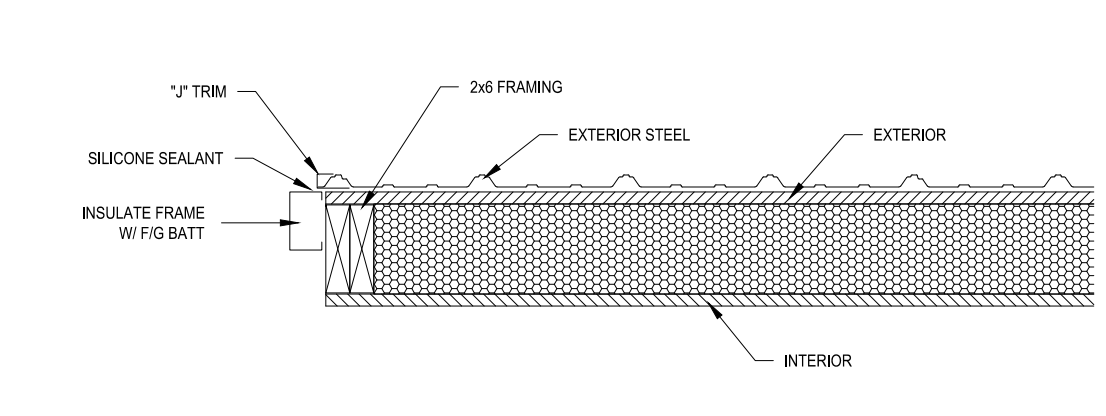


**4 HEADER DETAIL**  
SCALE: 1" = 1'-0"

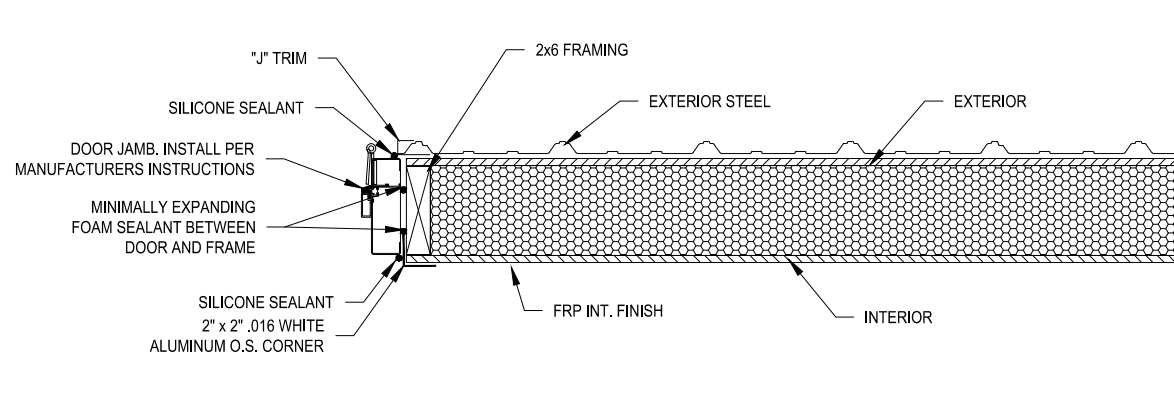
**9 HEADER DETAIL**  
SCALE: 1" = 1'-0"



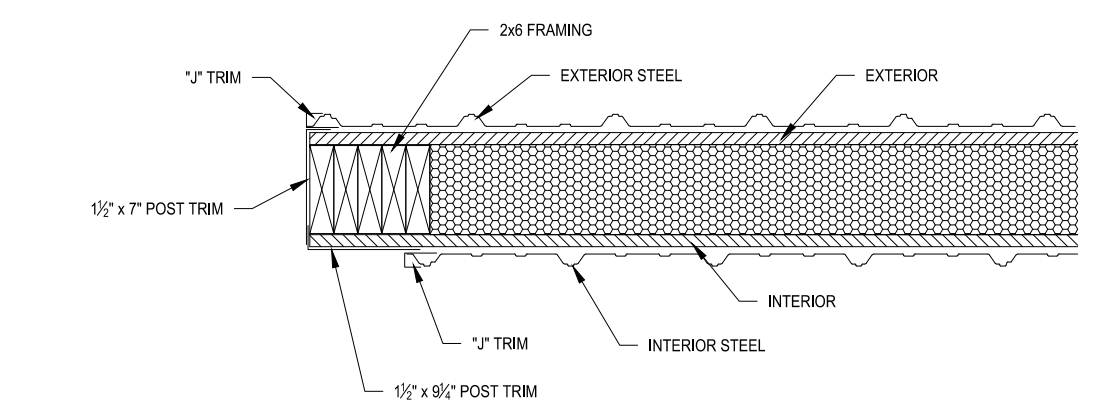
**1A DOOR JAMB - SHOP**  
SCALE: 1" = 1'-0"



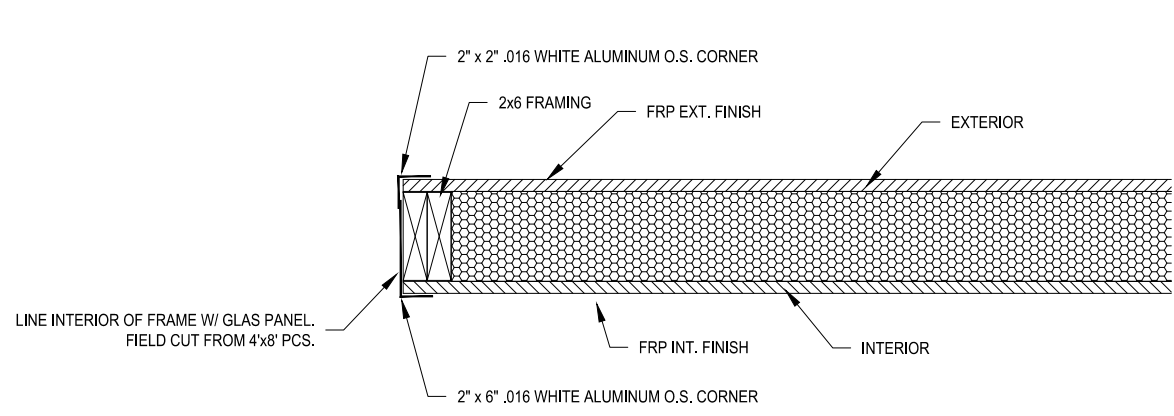
**2A WINDOW JAMB**  
SCALE: 1" = 1'-0"



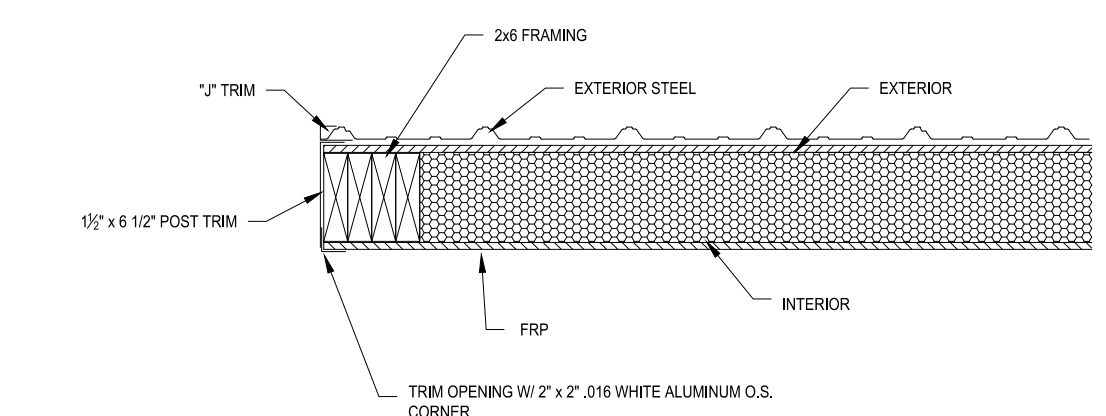
**1B DOOR JAMB - STORAGE**  
SCALE: 1" = 1'-0"



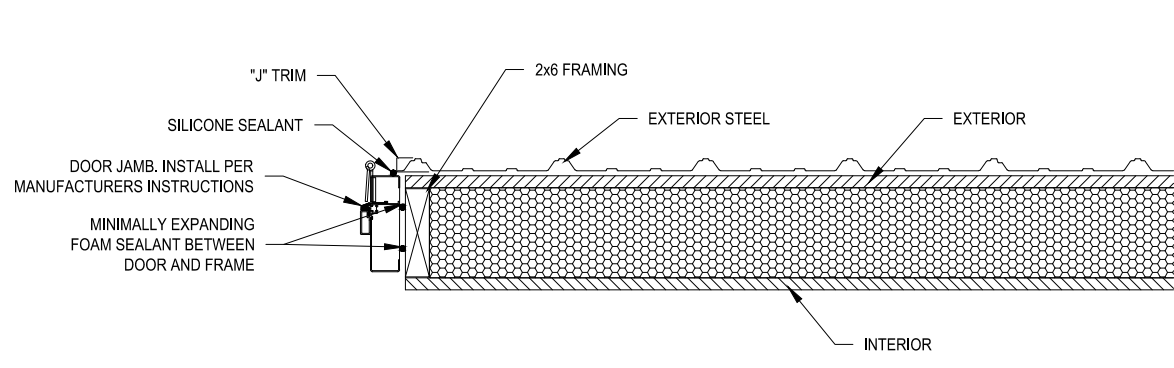
**3A OH DOOR JAMB - SHOP**  
SCALE: 1" = 1'-0"



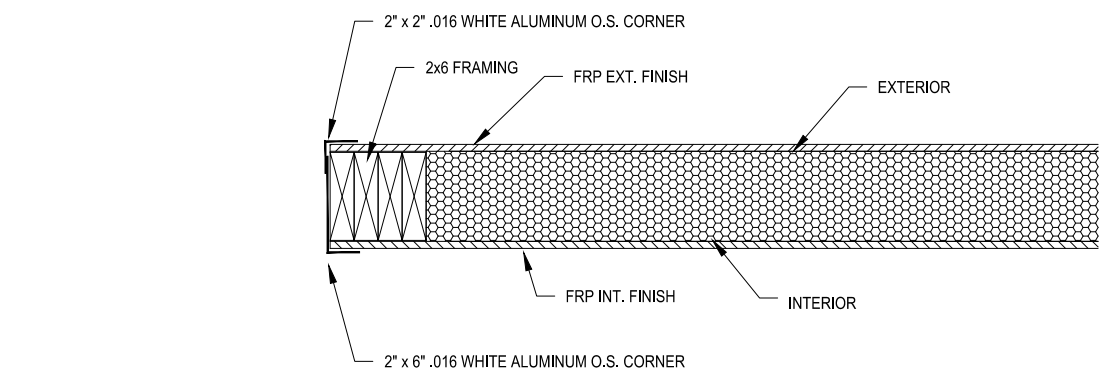
**1C DOOR JAMB - COOLER**  
SCALE: 1" = 1'-0"



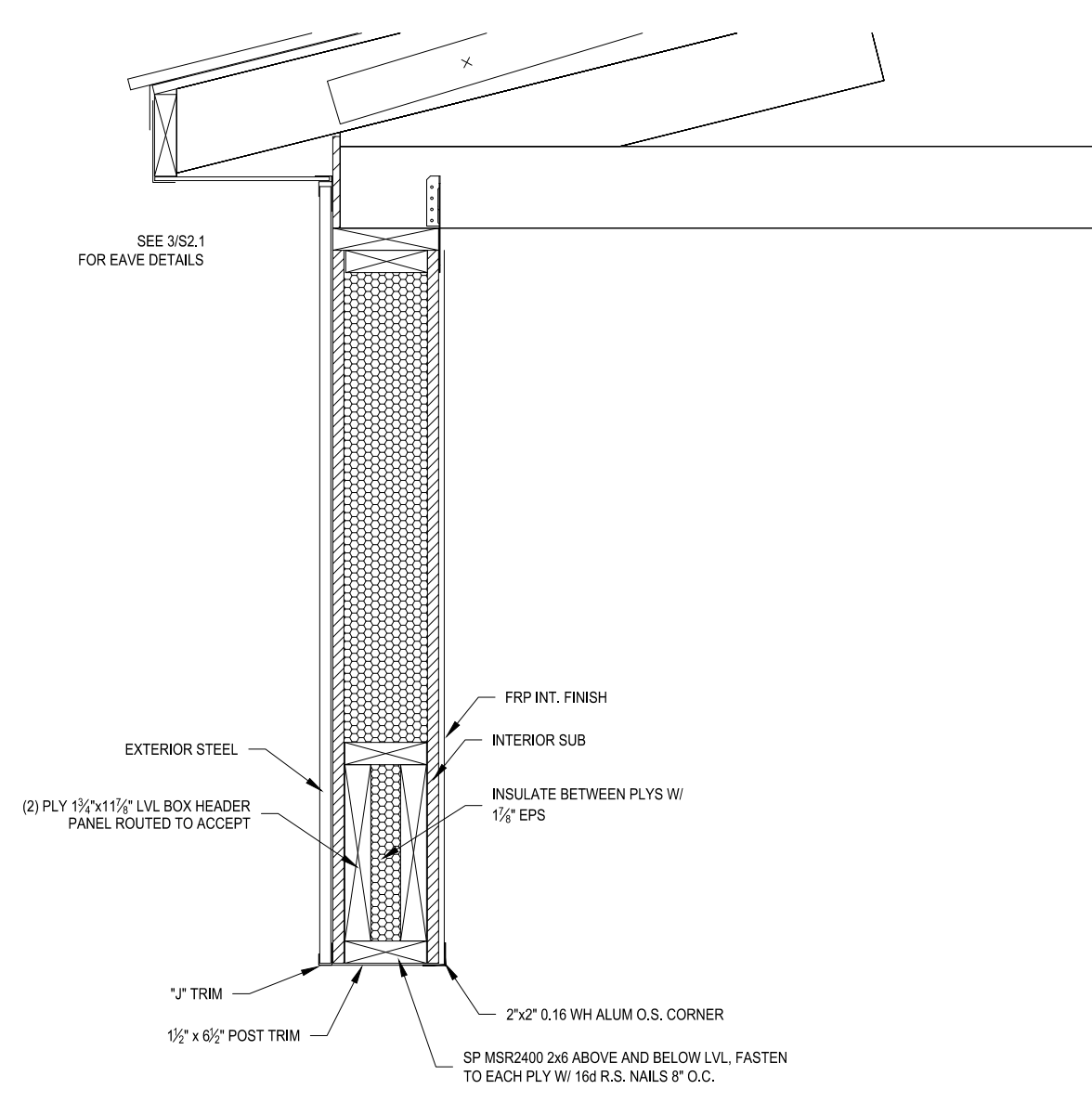
**3B OH DOOR JAMB - STORAGE**  
SCALE: 1" = 1'-0"



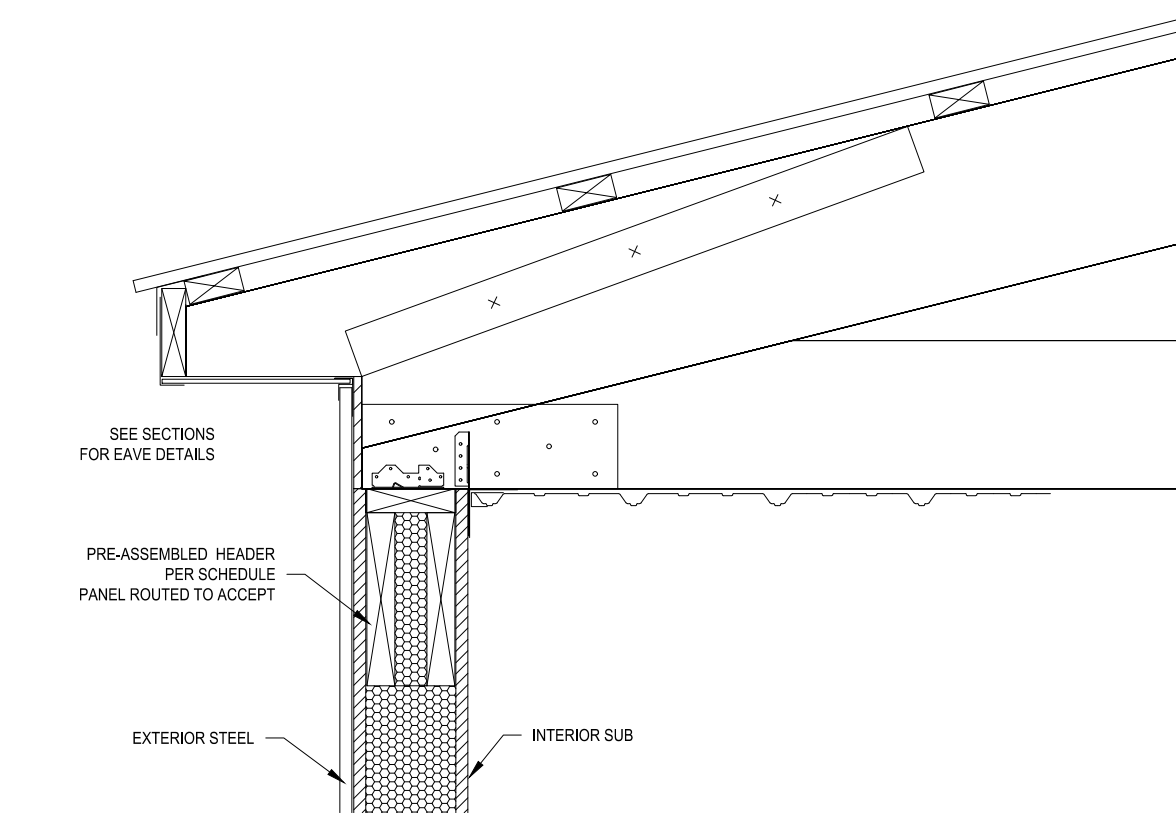
**1D DOOR JAMB - SHOP OFFICE**  
SCALE: 1" = 1'-0"



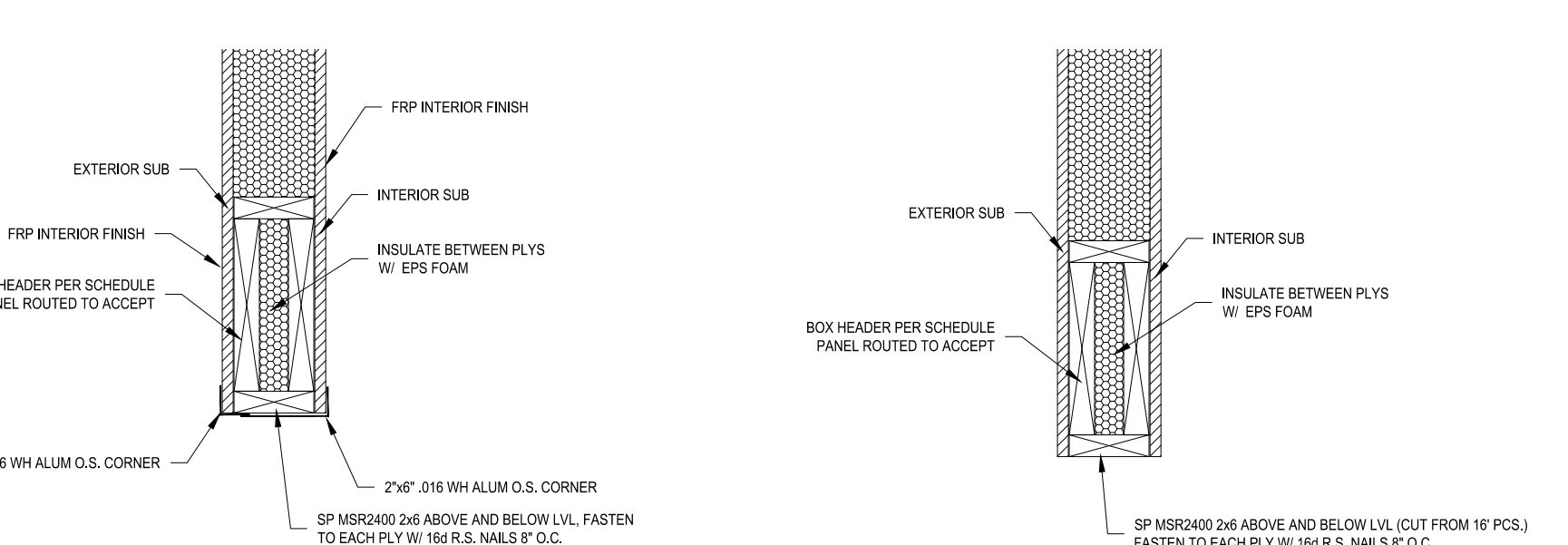
**3C OH DOOR JAMB - COOLER**  
SCALE: 1" = 1'-0"



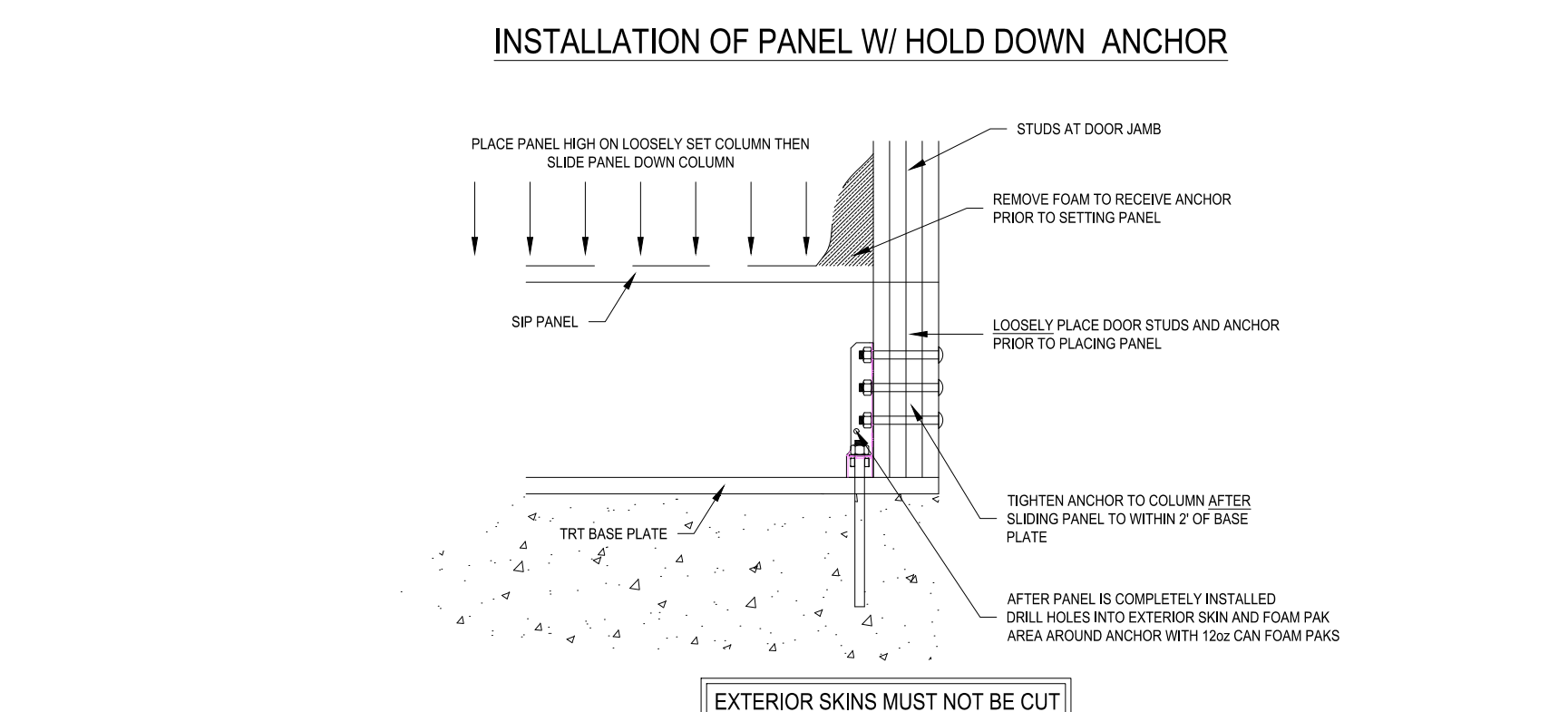
**8 OVERHEAD DOOR HEADER DETAIL**  
SCALE: 1" = 1'-0"



**10 OVERHEAD DOOR HEADER DETAIL**  
SCALE: 1" = 1'-0"



**6 WALL ANCHOR INSTALLATION**  
SCALE: 3/4" = 1'-0"



**7 WINDOW/DOOR SIP PANEL DETAIL**  
SCALE: 3/8" = 1'-0"



PROJECT NUMBER:  
**2025/SC/IA95698**

CUSTOMER SERVICE:  
**BRIAN D.**  
DRAWN BY:  
**CHRIS K.**  
REVIEWED BY:  
**DAVE M.**

DATE:  
**04/08/25**

REVISIONS:  
**04/11/25**

Print Date: 4/11/2025

PROFESSIONAL ENGINEER  
I hereby certify that this plan, specification or report was prepared by me or under my direct supervision and that I am a duly Licensed Professional Engineer under the laws of the State of Minnesota.  
Name: **Chris Kratzler** License: 42199  
Date: **04/10/25**

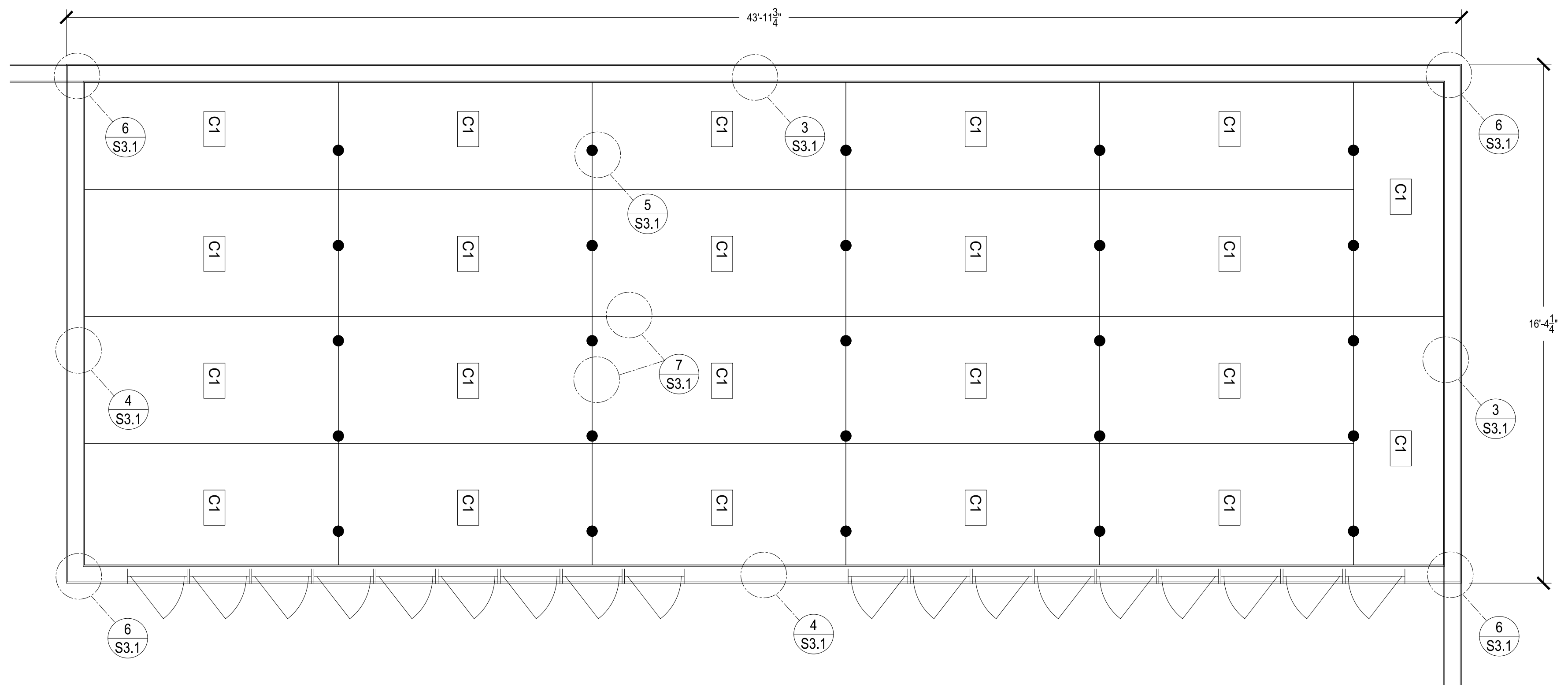
DEALER:  
**WELP CONST.**  
PROJECT TITLE:  
**LAKEFIELD LIQUOR**  
**SOLID CORE BUILDING PACKAGE**

**BUILDING DETAILS**

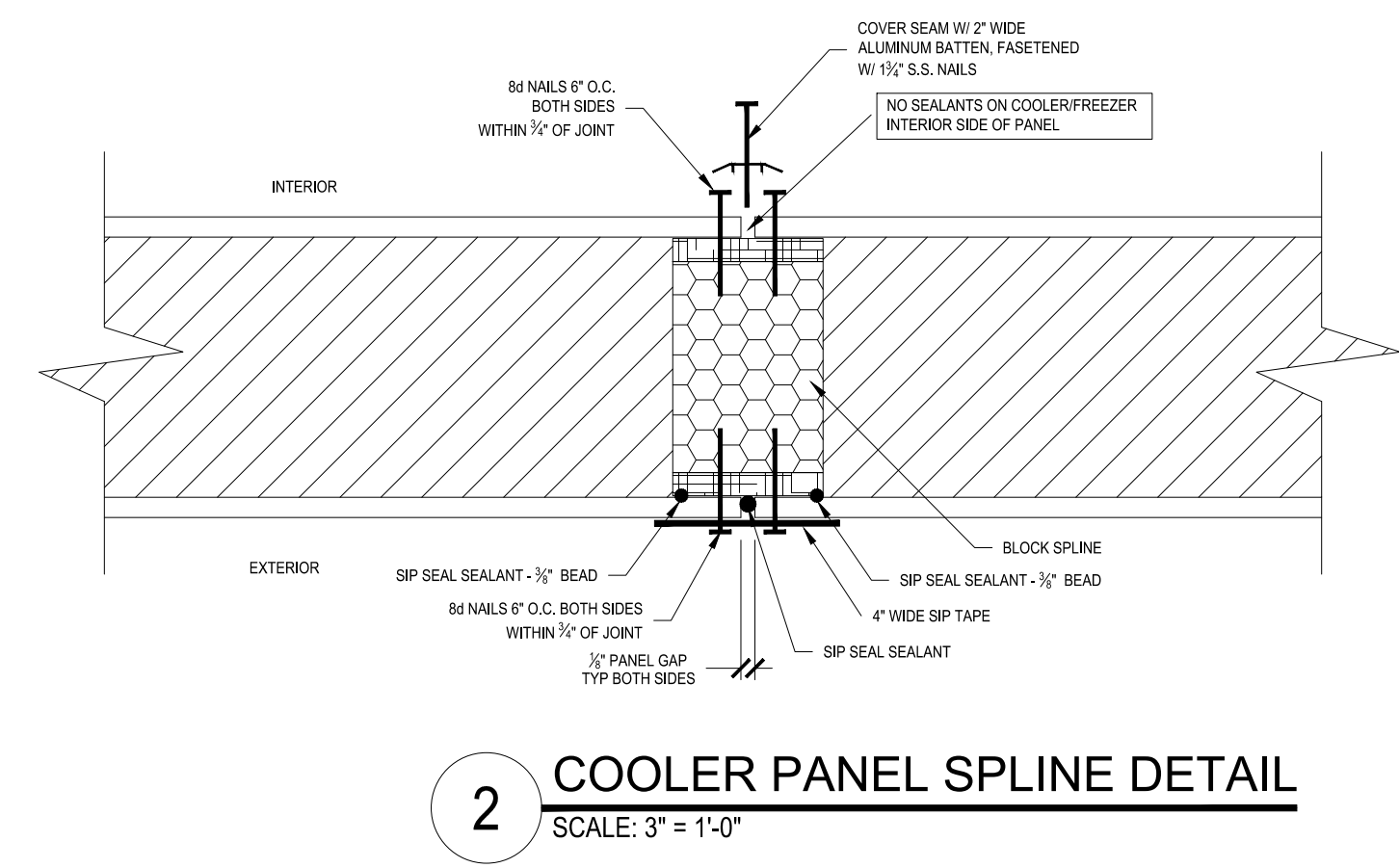
PROJECT STATUS:

SHEET TITLE:

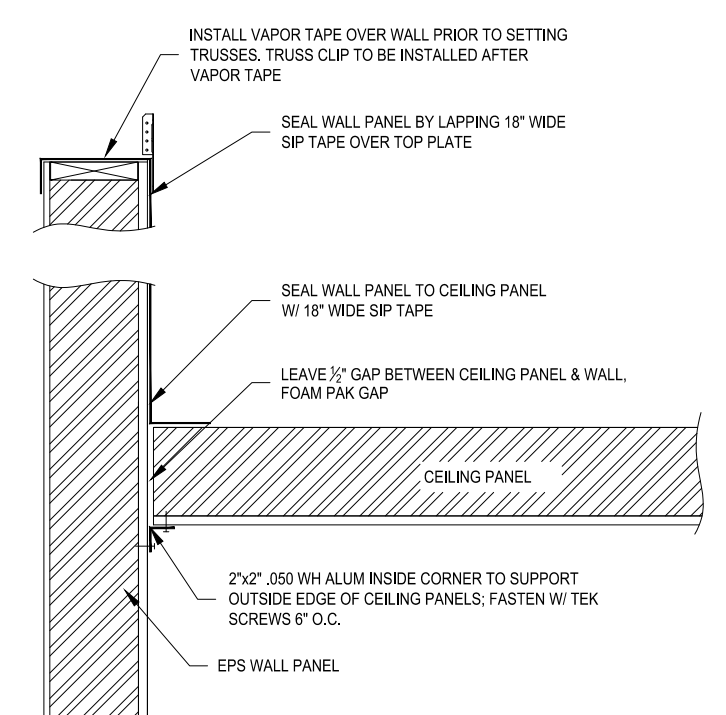
SHEET:  
**S3.0**



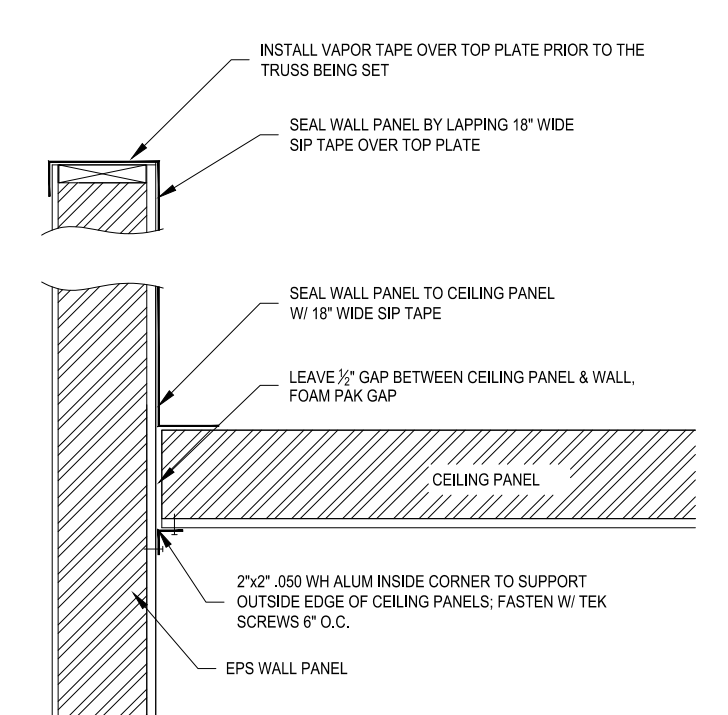
**1 TUFFY CEILING PANEL LAYOUT**  
SCALE: 3/8" = 1'-0"



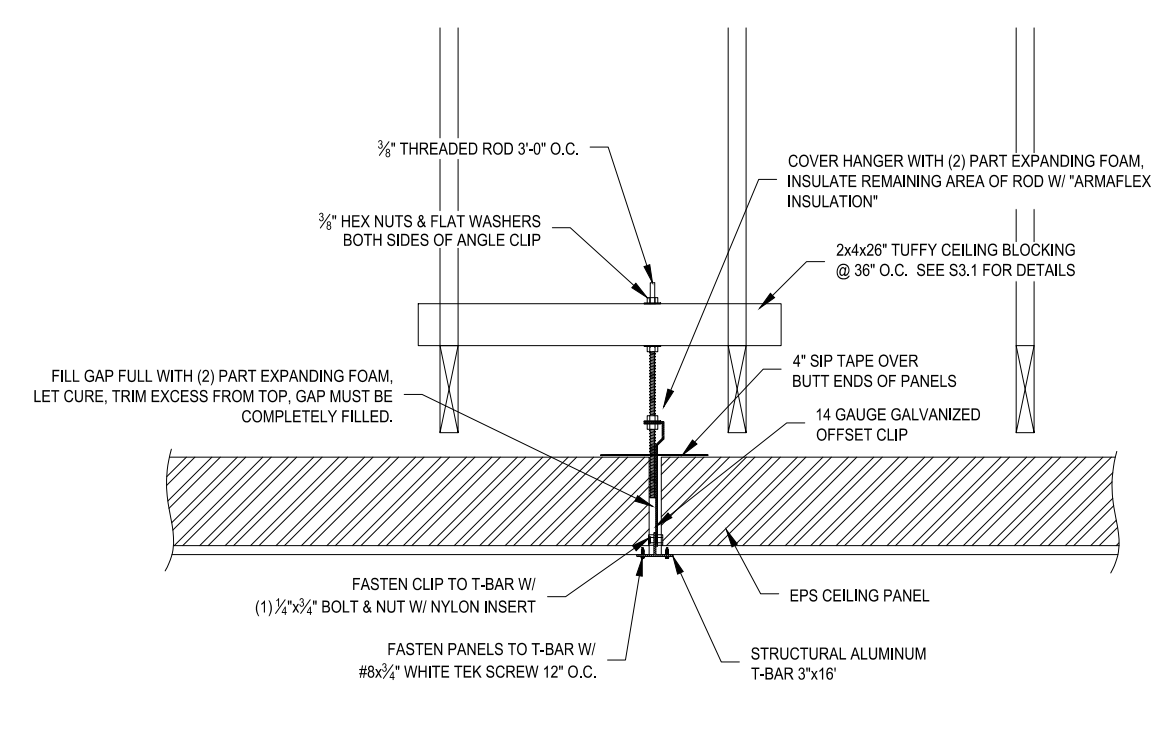
**2 COOLER PANEL SPLINE DETAIL**  
SCALE: 3" = 1'-0"



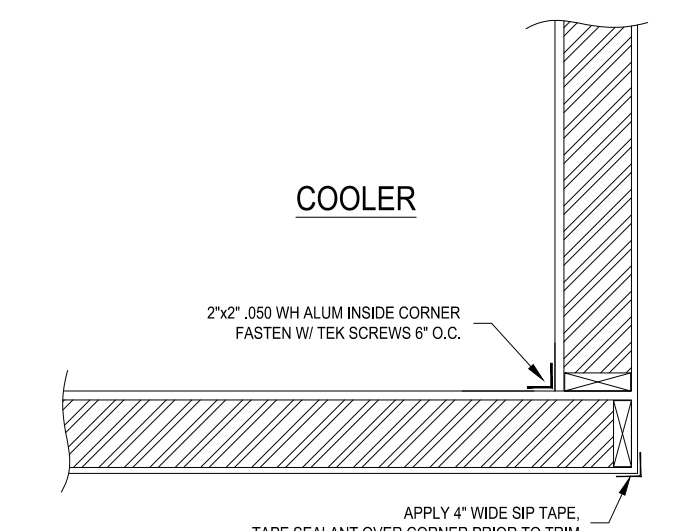
**3 COOLER EXT. WALL/CEILING DETAIL**  
SCALE: 3/4" = 1'-0"



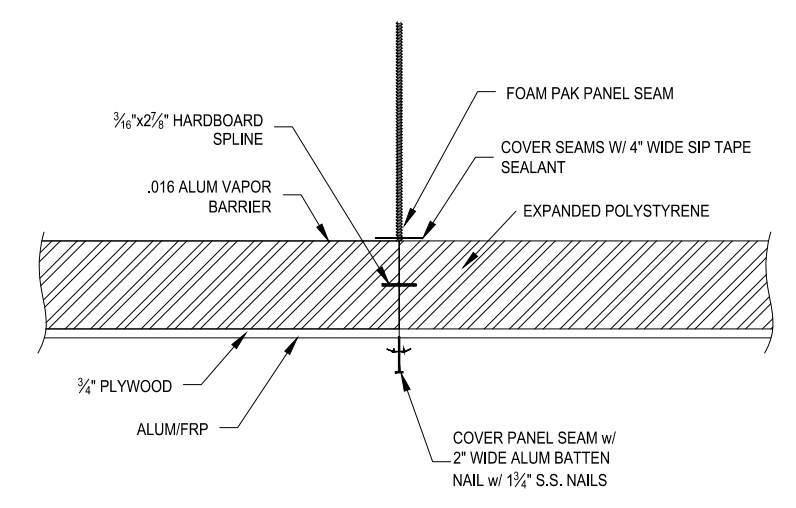
**4 COOLER INT. WALL/CEILING DETAIL**  
SCALE: 3/4" = 1'-0"



**5 T-BAR DETAIL**  
SCALE: 3/4" = 1'-0"



**6 COOLER CORNER DETAIL**  
SCALE: 3/4" = 1'-0"

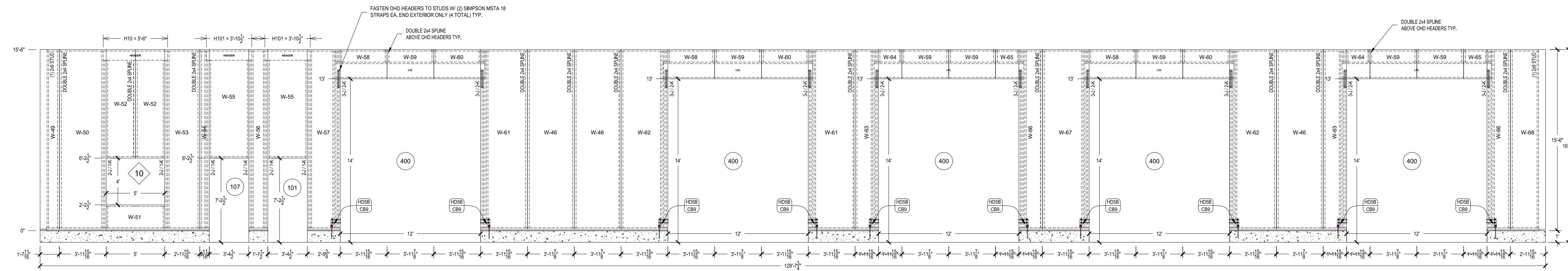


**7 JOINT DETAIL**  
SCALE: 3/4" = 1'-0"

**SHEAR WALL HOLDDOWNS**

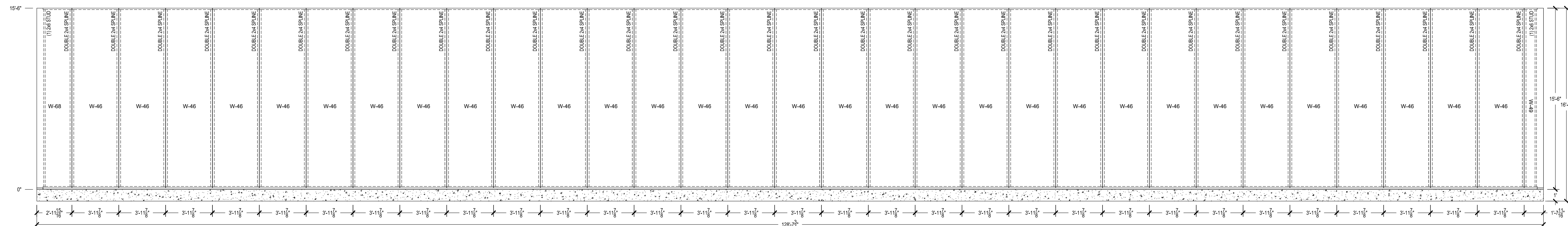
**HDB** - SIMPSON HDB BASE ANCHOR. FASTEN TO STUDS WITH (2) 1/2" BOLTS. FASTEN TO CONCRETE WITH (1) 3/4" DIA. EMBEDMENT THREADED ROD. EPOXY IN PLACE W/ SIMPSON AT-10-11.

**CB** - NOTE: LOWER NOTE DENOTES BOLT TYPE & LENGTH  
**CB** - CARRIAGE BOLT; MB - MACHINE BOLT



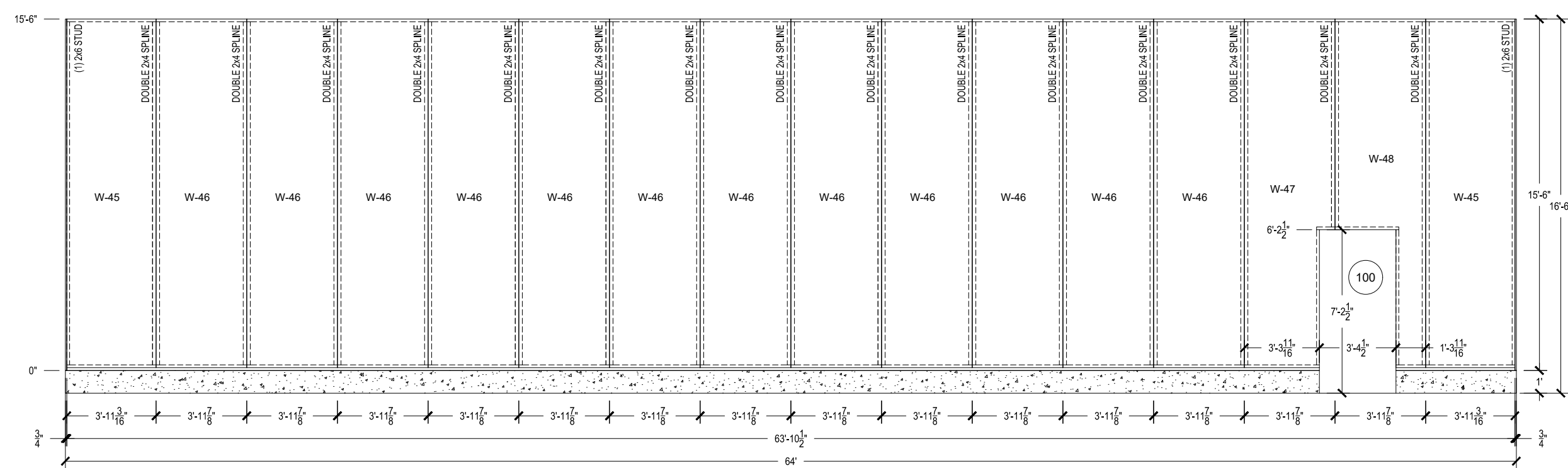
Wall: W13

**1 SIDEWALL PANEL ELEVATION**  
 SCALE: 3/16" = 1'-0"



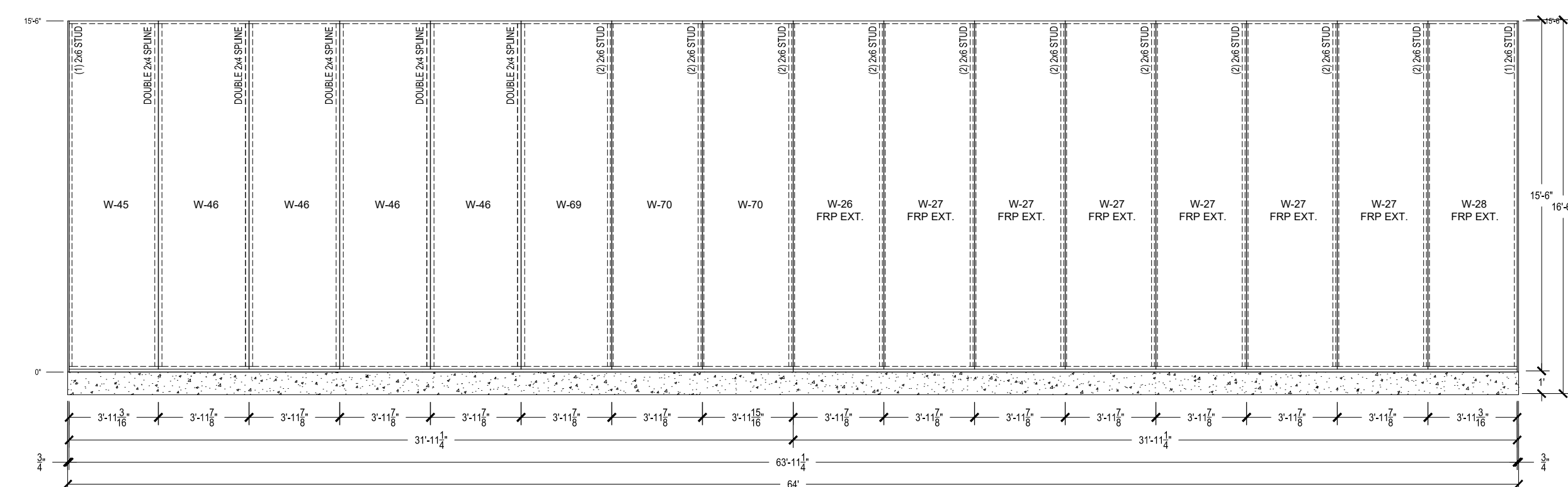
Wall: W14

**2 SIDEWALL PANEL ELEVATION**  
 SCALE: 3/16" = 1'-0"



Wall: W12

**3 ENDWALL PANEL ELEVATION**  
 SCALE: 3/16" = 1'-0"



Wall: W15

Wall: W8

**4 ENDWALL PANEL ELEVATION**  
 SCALE: 3/16" = 1'-0"

PROJECT NUMBER:  
 2025/SC/IA95698

CUSTOMER SERVICE:  
 BRIAN D.

DRAWN BY:  
 CHRIS K.

REVIEWED BY:  
 DAVE M.

DATE:  
 04/08/25

REVISIONS:  
 04/11/25

Print Date: 4/11/2025

PROFESSIONAL ENGINEER  
 I hereby certify that this plan, specification or report was prepared by me or under my direct supervision and that I am a duly Licensed Professional Engineer under the laws of the State of Minnesota.  
 Name: Chris Kramer License: 12199  
 Date: 04/10/25

DEALER:  
 WELP CONST.

PROJECT TITLE:  
 LAKEFIELD LIQUOR  
 SOLID CORE BUILDING PACKAGE

**PANEL ELEVATIONS**

SHEET TITLE:

PROJECT STATUS:

SHEET:

**S4.10**



PROJECT NUMBER:  
2025/SC/1A95698

CUSTOMER SERVICE:  
BRIAN D.

DRAWN BY:  
CHRIS K.

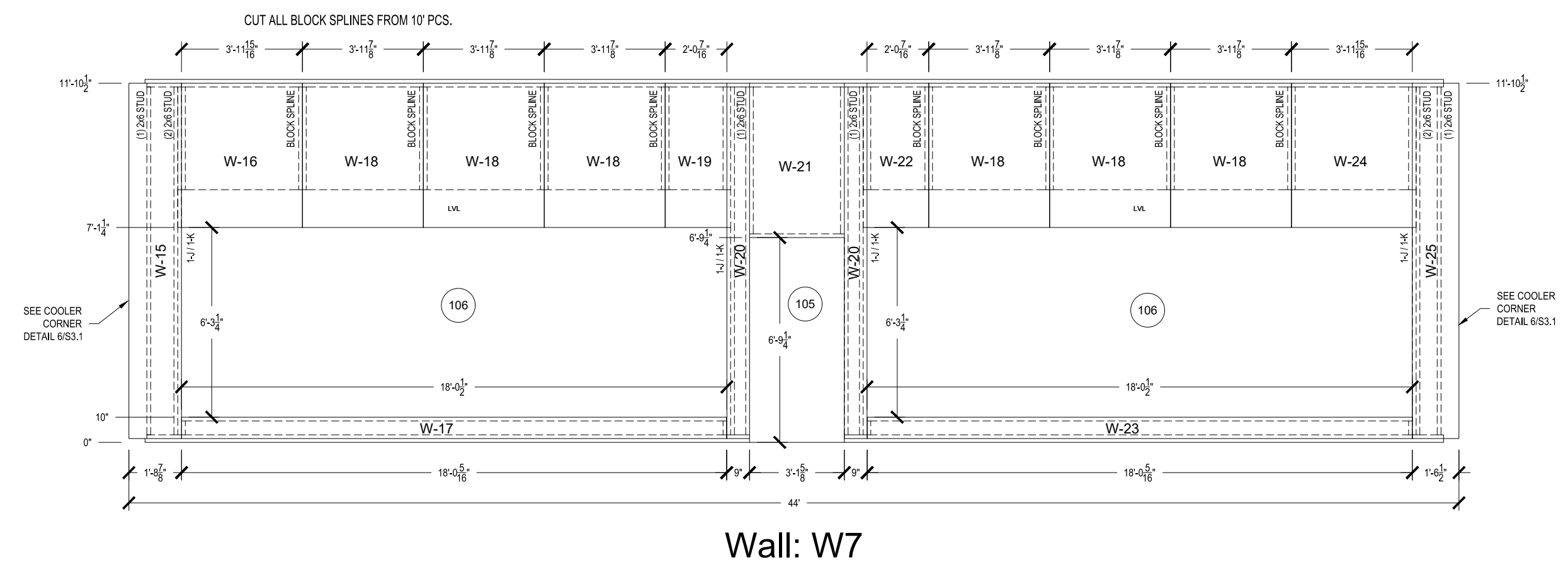
REVIEWED BY:  
DAVE M.

DATE:  
04/08/25

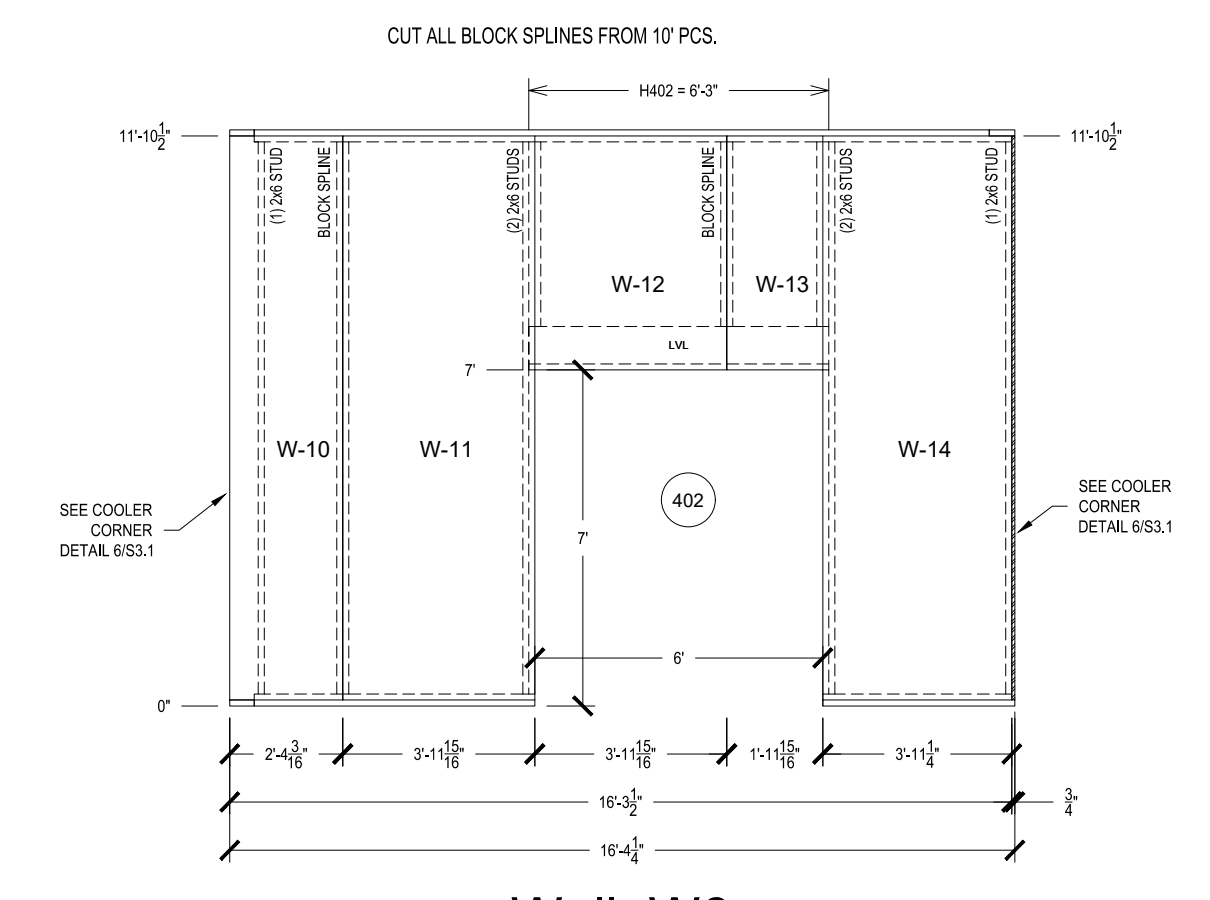
REVISIONS:  
04/11/25

Print Date: 4/11/2025

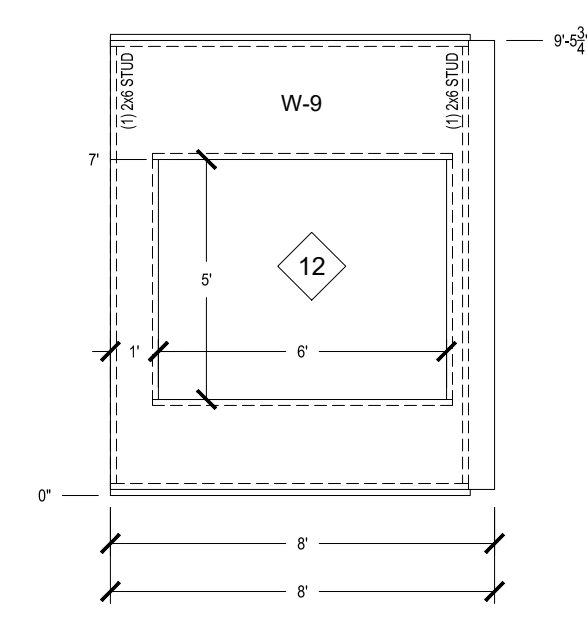
PROFESSIONAL ENGINEER  
 I hereby certify that this plan, specification or report was prepared by me or under my direct supervision and that I am a duly Licensed Professional Engineer under the laws of the State of Minnesota.  
 Name: Chris Kramer License: 42199  
 Date: 04/10/25



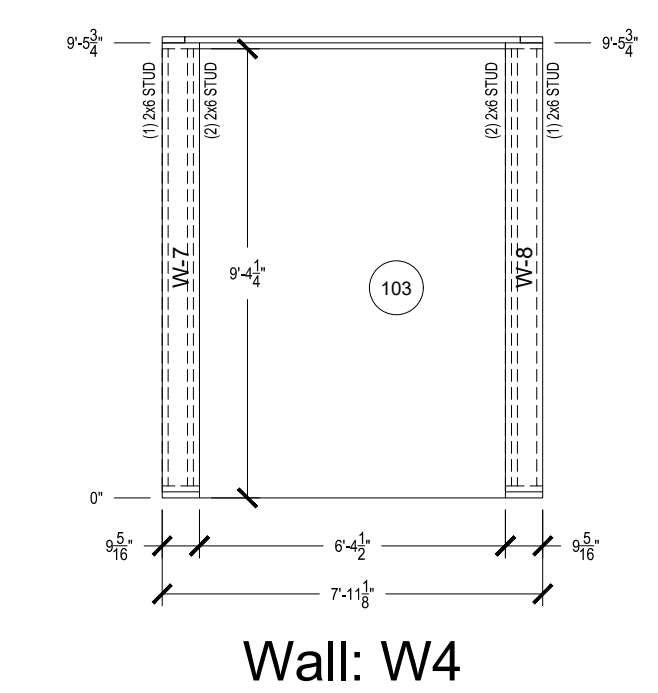
**1** COOLER PANEL ELEVATION  
SCALE: 1/4" = 1'-0"



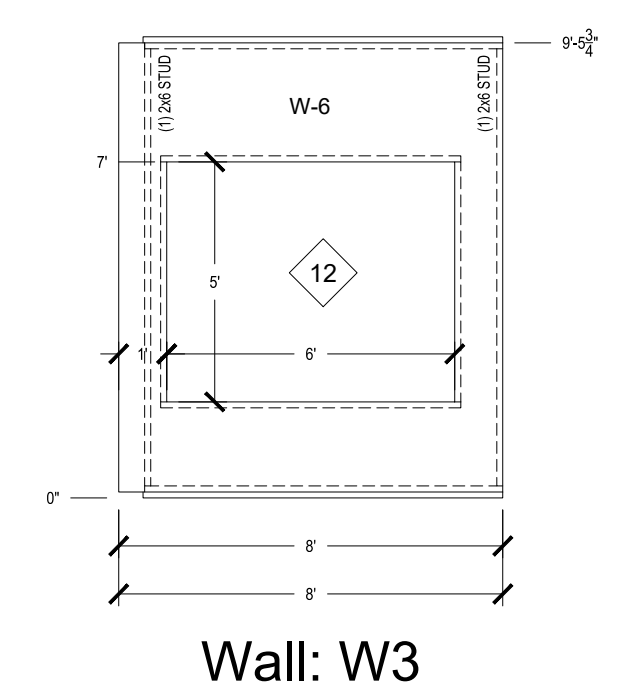
**2** COOLER PANEL ELEVATION  
SCALE: 1/4" = 1'-0"



**3** VESTIBLE PANEL ELEVATION  
SCALE: 1/4" = 1'-0"



**4** VESTIBLE PANEL ELEVATION  
SCALE: 1/4" = 1'-0"



**5** VESTIBLE PANEL ELEVATION  
SCALE: 1/4" = 1'-0"

DEALER:  
WELP CONST.

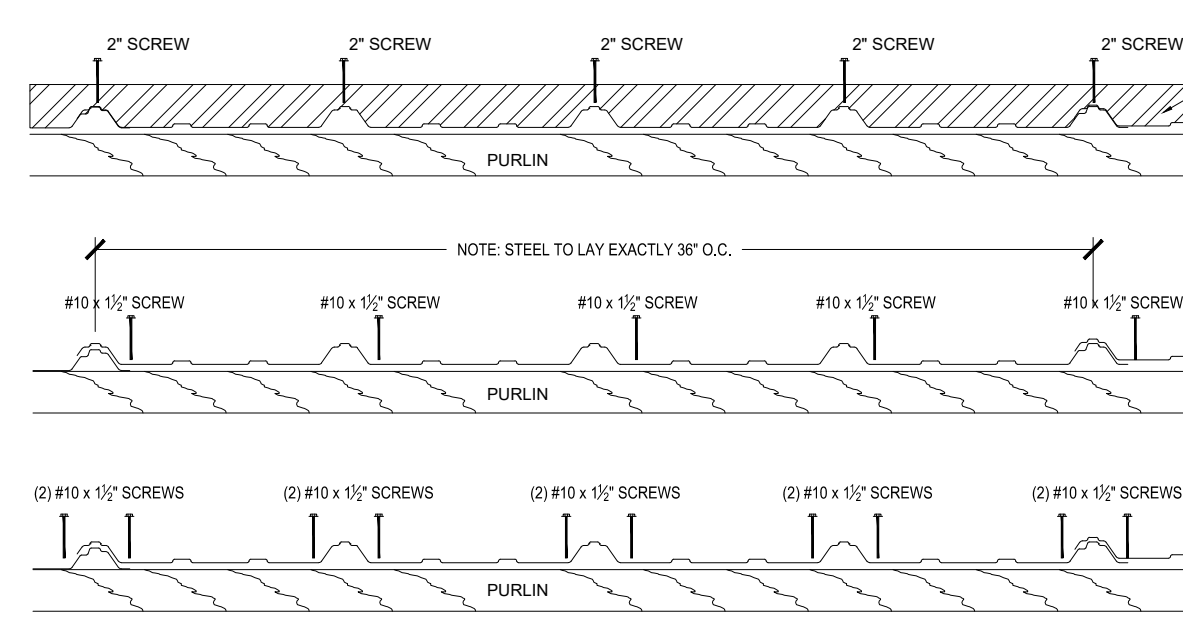
PROJECT TITLE:  
LAKEFIELD LIQUOR  
SOLID CORE BUILDING PACKAGE

SHEET TITLE:  
PANEL ELEVATIONS

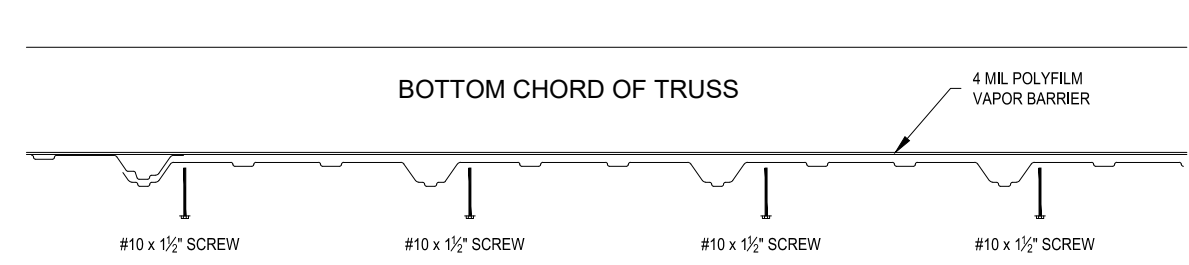
PROJECT STATUS:

SHEET:  
S4.12





**1 - ROOF STEEL FASTENING**



NOTE: USE "J" TRIM ON ALL ENDWALLS AND PARTITION WALLS UNLESS NOTED OTHERWISE

POLYFILM ROLL, 24" x 4" WIDE

ALL CEILING STEEL USE:  
#10 x 1 1/2" PAINTED SCREWS W/  
NEOPRENE WASHERS

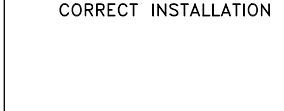
**2 - CEILING STEEL FASTENING**

**TYPE OF FASTENER**  
DUAL GRP & DUAL GRP SLT POST FRAME SERVICES

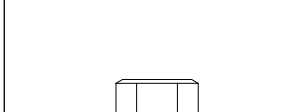
**TOOL SELECTION**  
AN ELECTRIC BATTERY TYPE SCREWDRIVER WITH A VARIABLE SPEED OF 5-2000 RPM INCORPORATING A CLUTCH OR DEPTH SETTING FEATURE IS THE SUGGESTED TOOL. IMPACT TYPE TOOLS (SQUARES) ARE NOT RECOMMENDED AND WALL DAMAGE SCREW FINISH DURING INSTALLATION.

**DRIVER SELECTION**  
USE A GOOD QUALITY, PROPERLY SIZED NUT DRIVER IN THE TOOL. DRIVER MAY BE OF THE MAGNETIC OR NON-MAGNETIC TYPE. IF USING THE MAGNETIC TYPE, MAKE SURE THE MAGNET IS RECESSED ENOUGH SO THE SOCKET RESTS FIRMLY ON THE WASHER FACE OF THE SCREW. THE MAGNET CAN BE RECESSED FURTHER BY LIGHTLY HAMMERING A PUNCH ON TOP OF THE MAGNET TO DRIVE IT DEEPER TO THE SOCKET. KEEP THE SOCKET FREE OF ALL DEBRIS, ESPECIALLY METAL FILLINGS WHICH WILL EMBED INTO THE PAINT FINISH OF THE SCREW DURING INSTALLATION. TO REMOVE DEBRIS, USE SOFT PUTTY OR BUTYL CONTAINER TO IMMEDIATELY ACCUMULATING IN THE SOCKET PRIOR TO USE. REPLACE DRIVERS REGULARLY TO ENSURE A GOOD FIT AND MINIMIZE DAMAGE CAUSED BY A WORN DRIVER.

**CORRECT INSTALLATION**



**INSUFFICIENT TIGHTENING**



**EXCESSIVE TORQUE**

**CORRECT ANGLE**



**INCORRECT ANGLE**

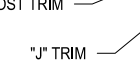


FASTENERS SHOULD BE DRIVEN AT 90° ANGLE TO THE SHEET TO INSURE THE SCREW AND WASHER SEAT PROPERLY TO THE METAL SHEET AFTER INSTALLATION. WASHER SHOULD NOT BE OVER OR UNDER DRIVEN.

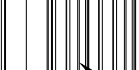
**ANTI-SIPHON DRAIN**



**PROPER OVERLAY**



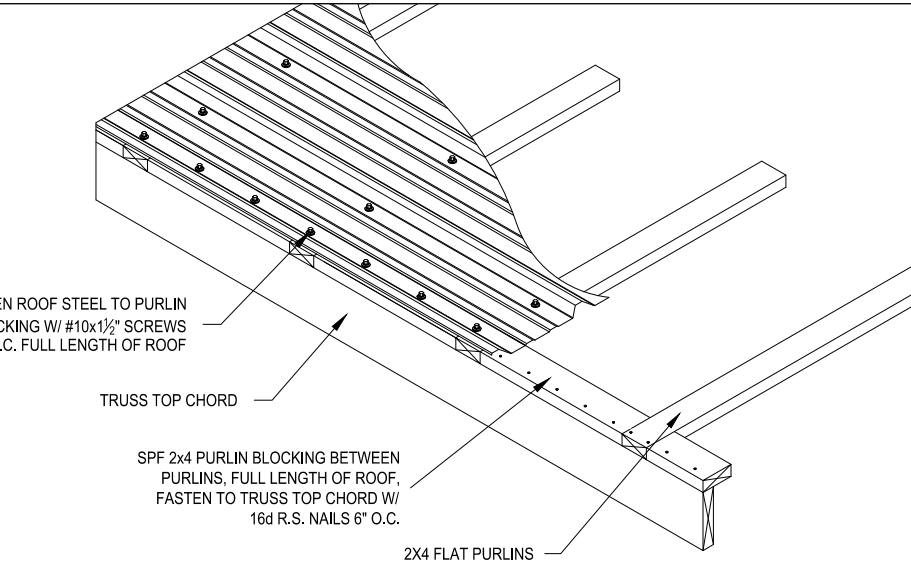
**OVERSEAT**



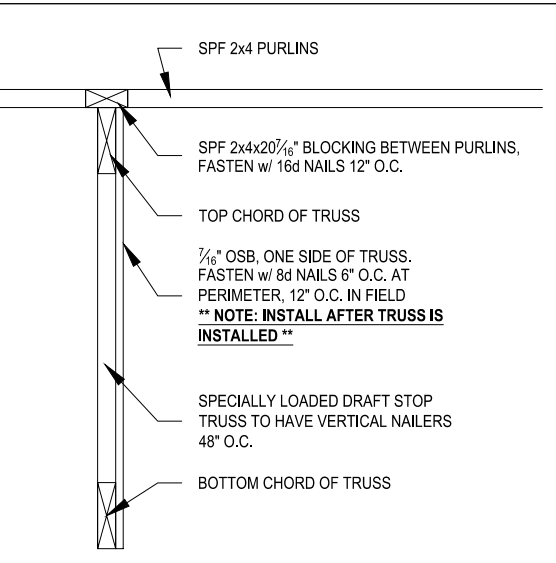
**UNDERSEAT**



**3 - ROOF, CELING, & WALL SCREW INSTALLATION**

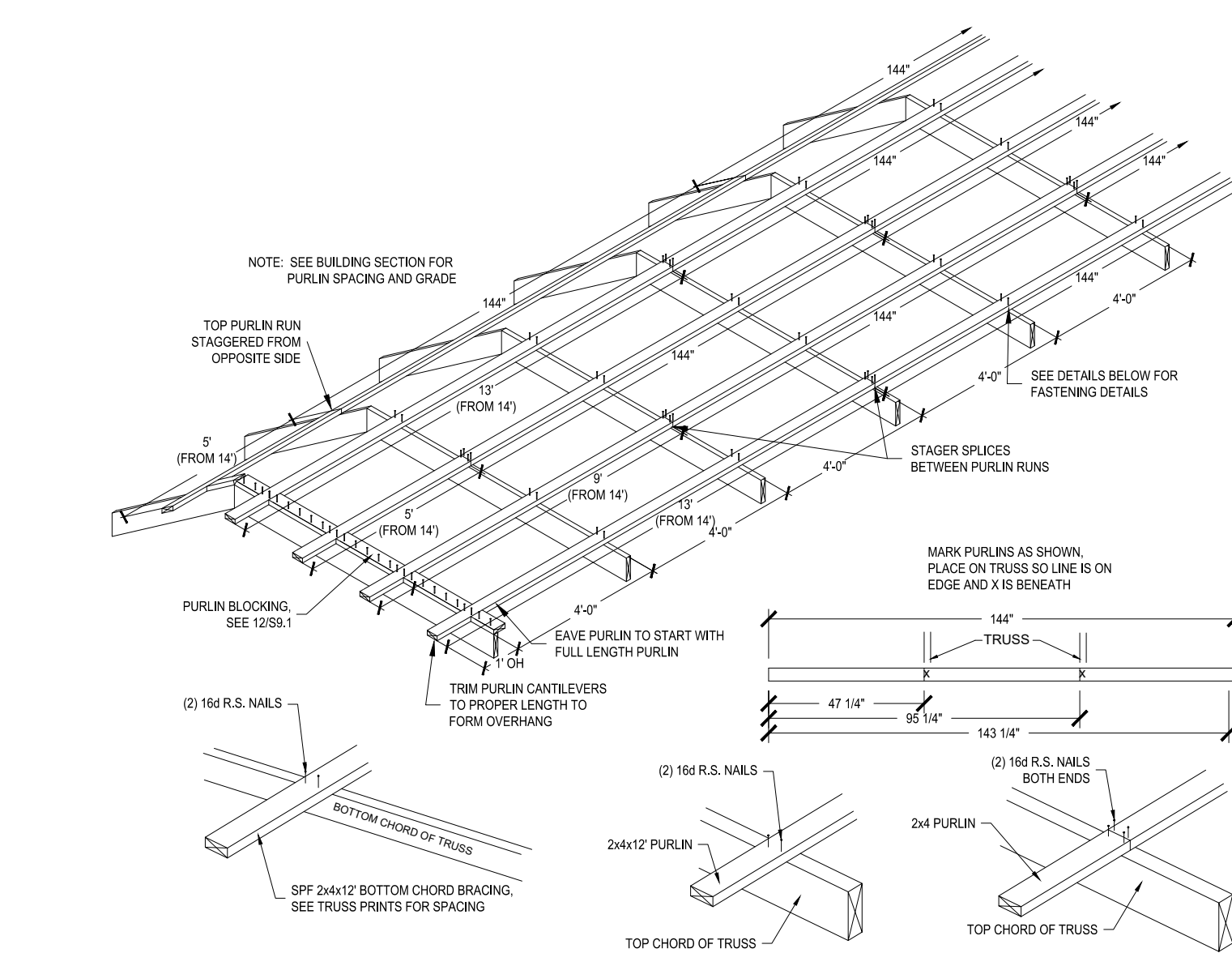


**4 - STEEL LAP**



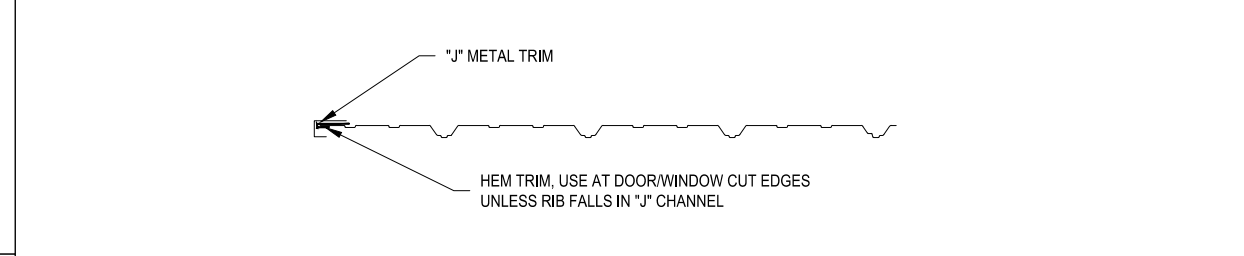
**5 - PURLIN BLOCKING FASTENING DTL.**

**11 - DRAFTSTOP DETAIL**

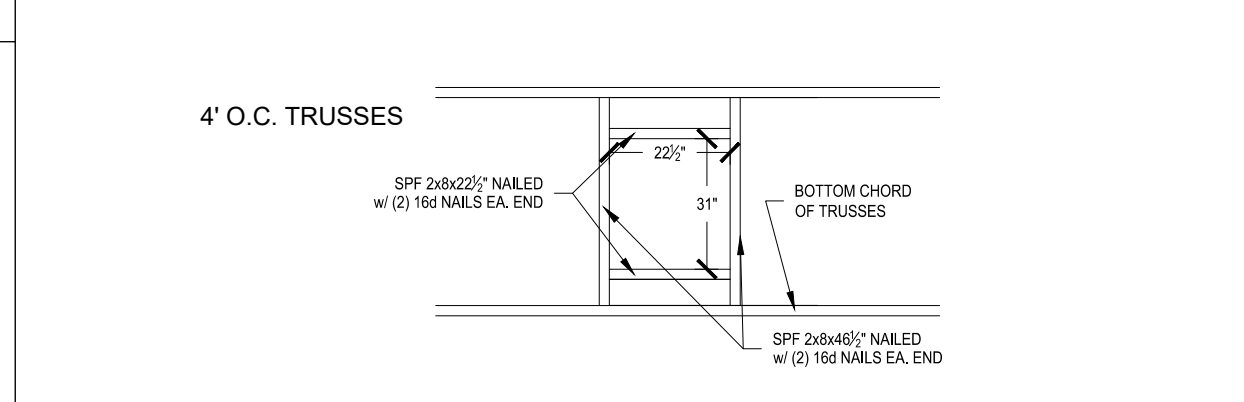
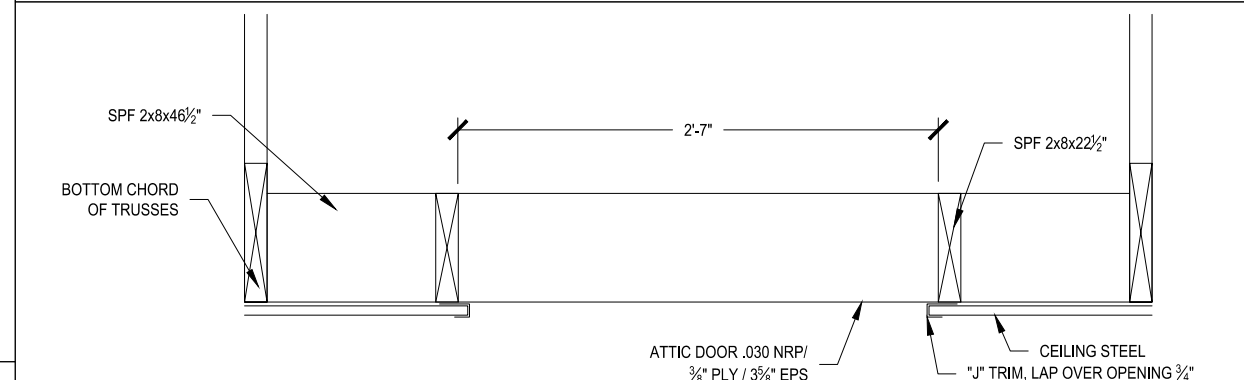


**6 - 4' O.C. ROOF TRUSSES PURLIN CONNECTION**

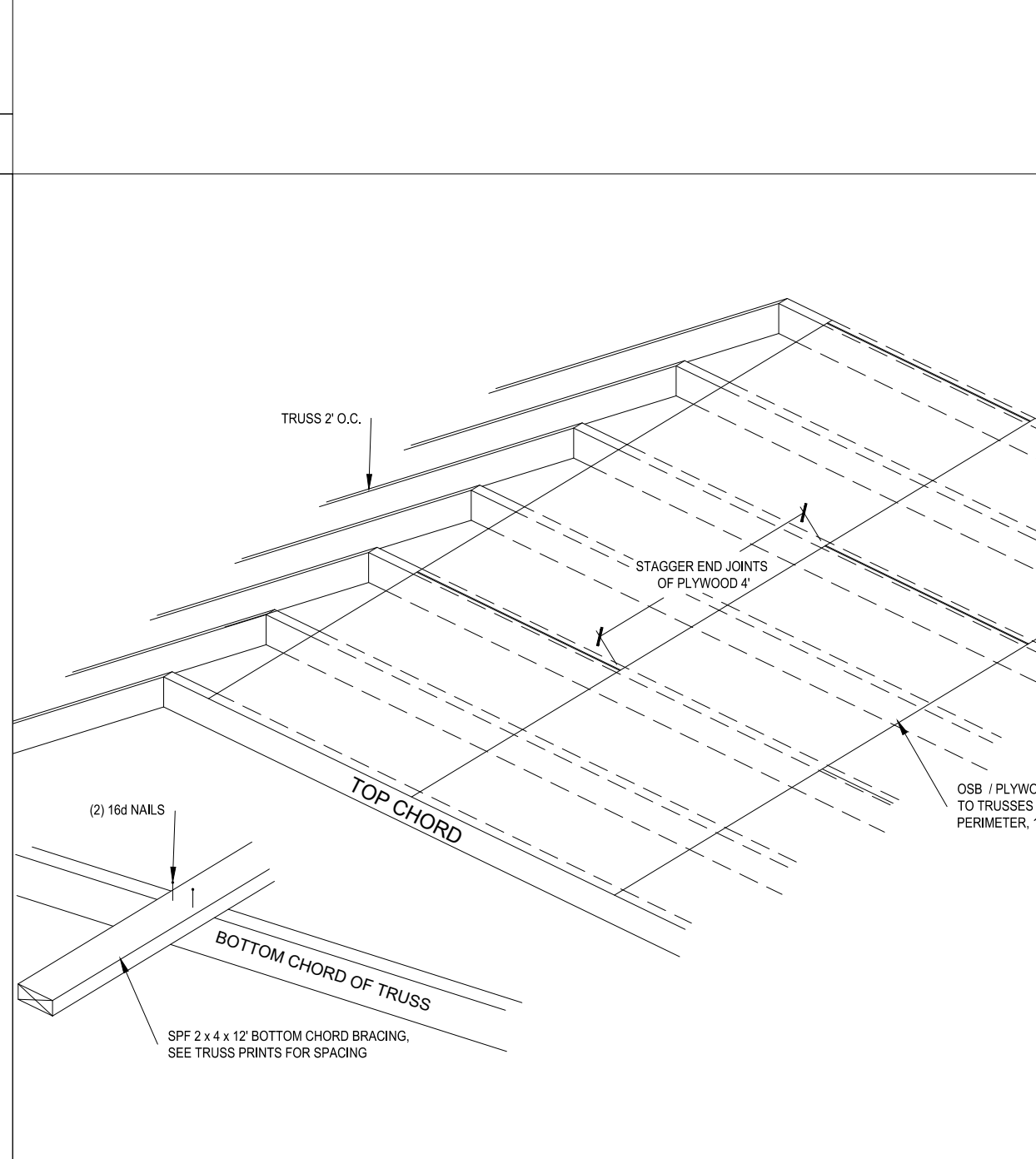
**8 - EAVE TRIM DETAIL**



**9 - HEM TRIM DETAIL**

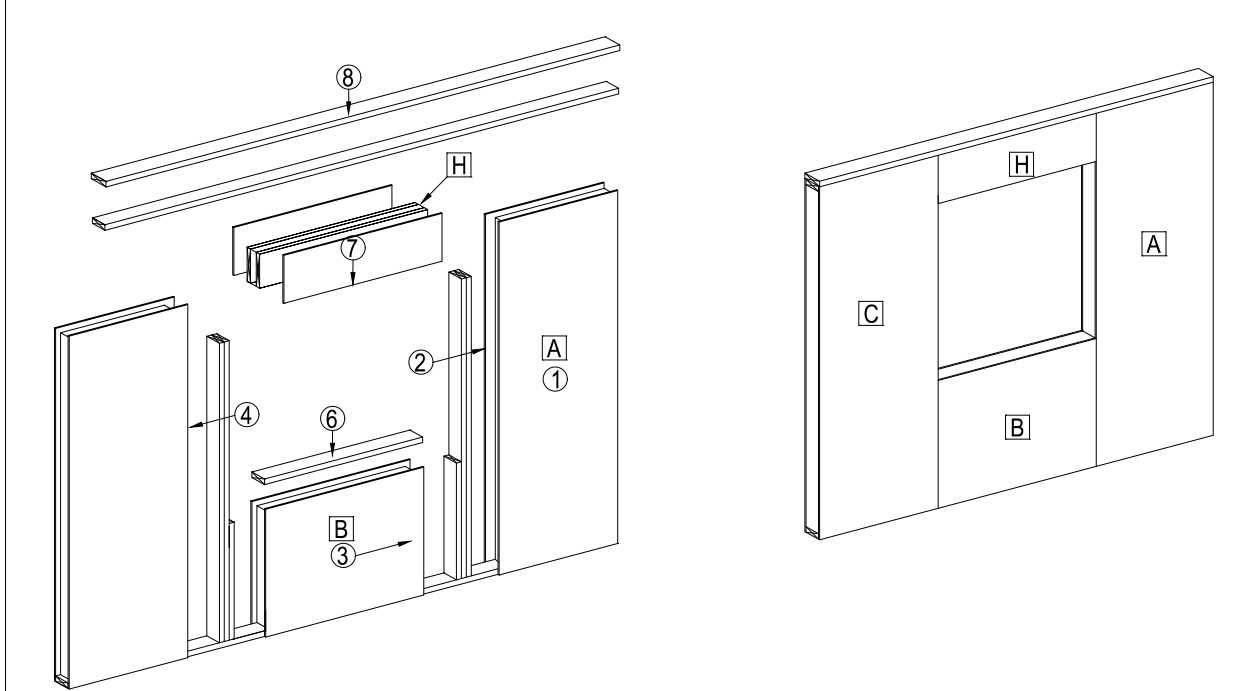


**10 - ATTIC ACCESS FRAMING**

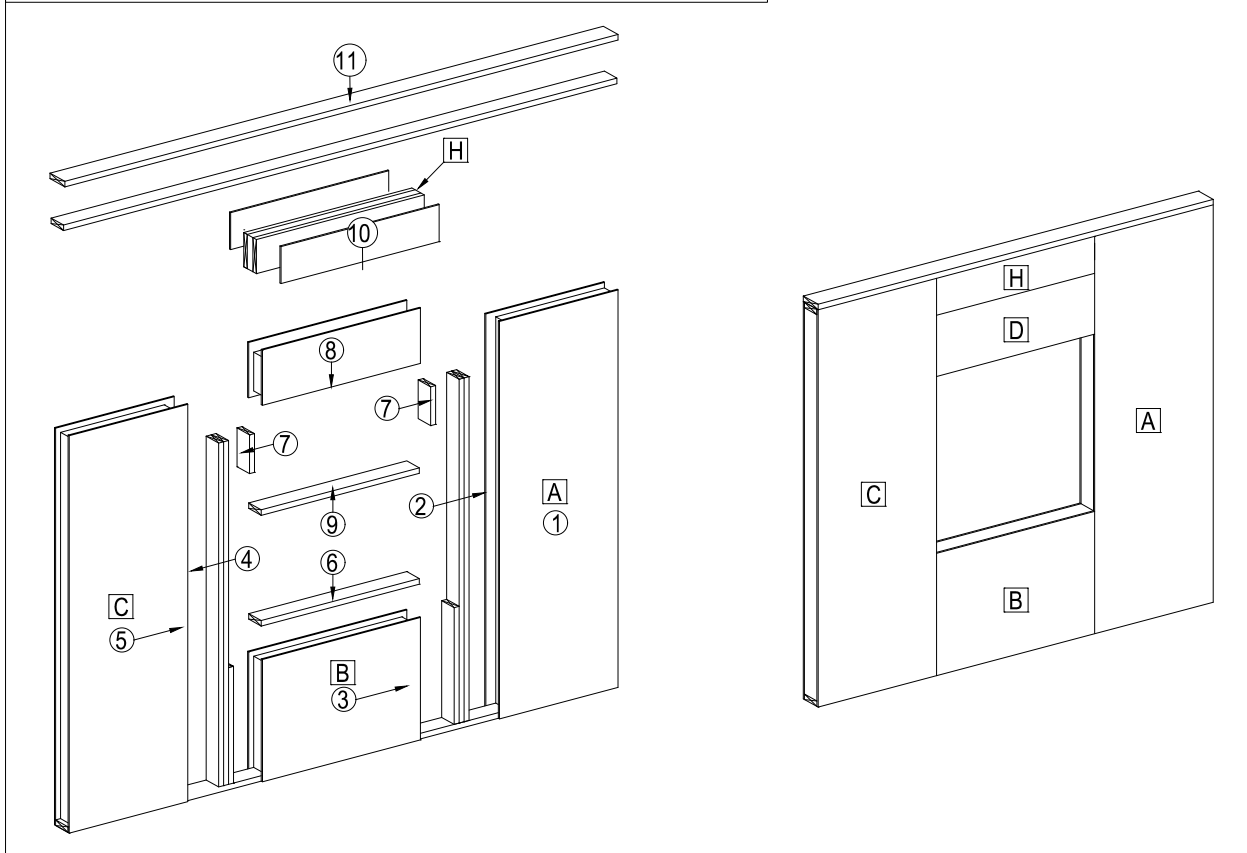


**6B - 2' O.C. ROOF TRUSSES SHEATHING CONNECTION**

- 1) ERECT PANEL "A"
- 2) PRE-ASSEMBLE FULL BEARING, AND FILLER STUDS, INSTALL INTO PANEL "A".
- 3) SLIDE PANEL "B" INTO PLACE.
- 4) PRE-ASSEMBLE FULL BEARING, AND FILLER STUDS, INSTALL INTO PANEL "C".
- 5) SLIDE PANEL "C" INTO PLACE, CHECKING HORIZONTAL R.O. DIMENSION.
- 6) INSTALL LOWER OPENING FRAMING.
- 7) DROP HEADER INTO OPENING, SHEATH WITH LOOSE OSB.
- 8) CONTINUE WITH WALL, INSTALL TOP PLATES



- 1-6 SEE ABOVE
- 7) INSTALL FILLER PANEL BLOCKING
- 8) SLIDE UPPER PANEL INTO PLACE, VERIFY VERTICAL R.O.
- 9) INSTALL UPPER OPENING FRAMING.
- 10) DROP HEADER INTO OPENING, SHEATH WITH LOOSE OSB.
- 11) CONTINUE WITH WALL, INSTALL TOP PLATES



**9 - TYPICAL HEADER FRAMING DETAIL**

AN EMPLOYEE-OWNED COMPANY

ENERGY PANEL STRUCTURES  
102 EAST INDUSTRIAL PARK  
GRATTEINGER, LA 51342  
PHONE: 712-859-3219  
FAX: 712-859-3275  
WWW.EPSBUILDINGS.COM

PROJECT NUMBER:  
**2025/SC/IA95698**

CUSTOMER SERVICE:  
**BRIAN D.**

DRAWN BY:  
**CHRIS K.**

REVIEWED BY:  
**DAVE M.**

DATE:  
**04/08/25**

REVISIONS:  
**04/11/25**

Print Date: 4/11/2025

PROFESSIONAL ENGINEER

I hereby certify that this plan, specification or report was prepared by me or under my direct supervision and that I am a duly licensed professional engineer under the laws of the State of Minnesota.

Name: Chris Kraemer License: 42199 Date: 04/10/25

DEALER:  
**WELP CONST.**

PROJECT TITLE:  
**LAKEFIELD LIQUOR**

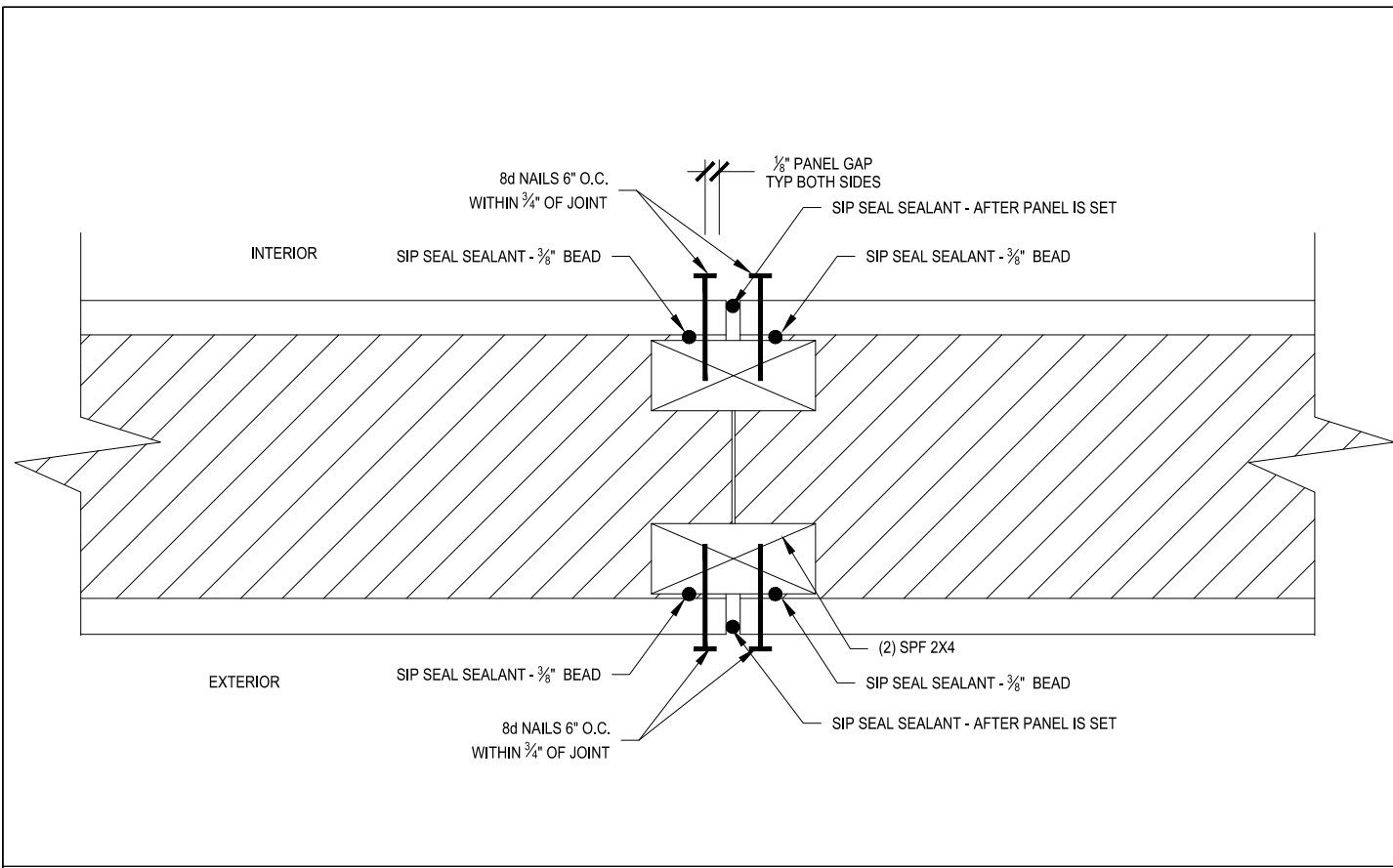
**SOLID CORE BUILDING PACKAGE**

SHEET TITLE:  
**CONSTRUCTION DETAILS**

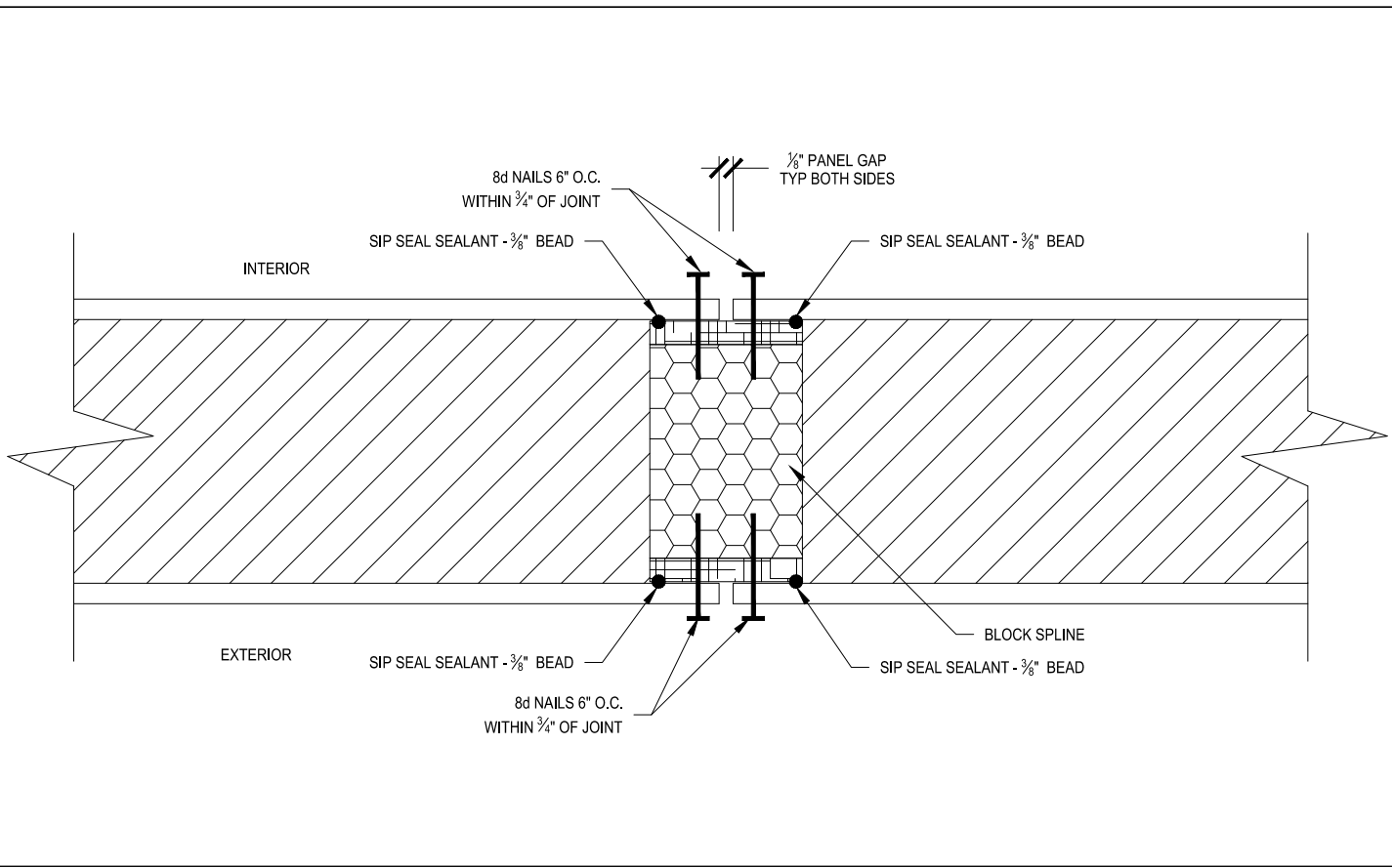
PROJECT STATUS:

SHEET:  
**S9.0**

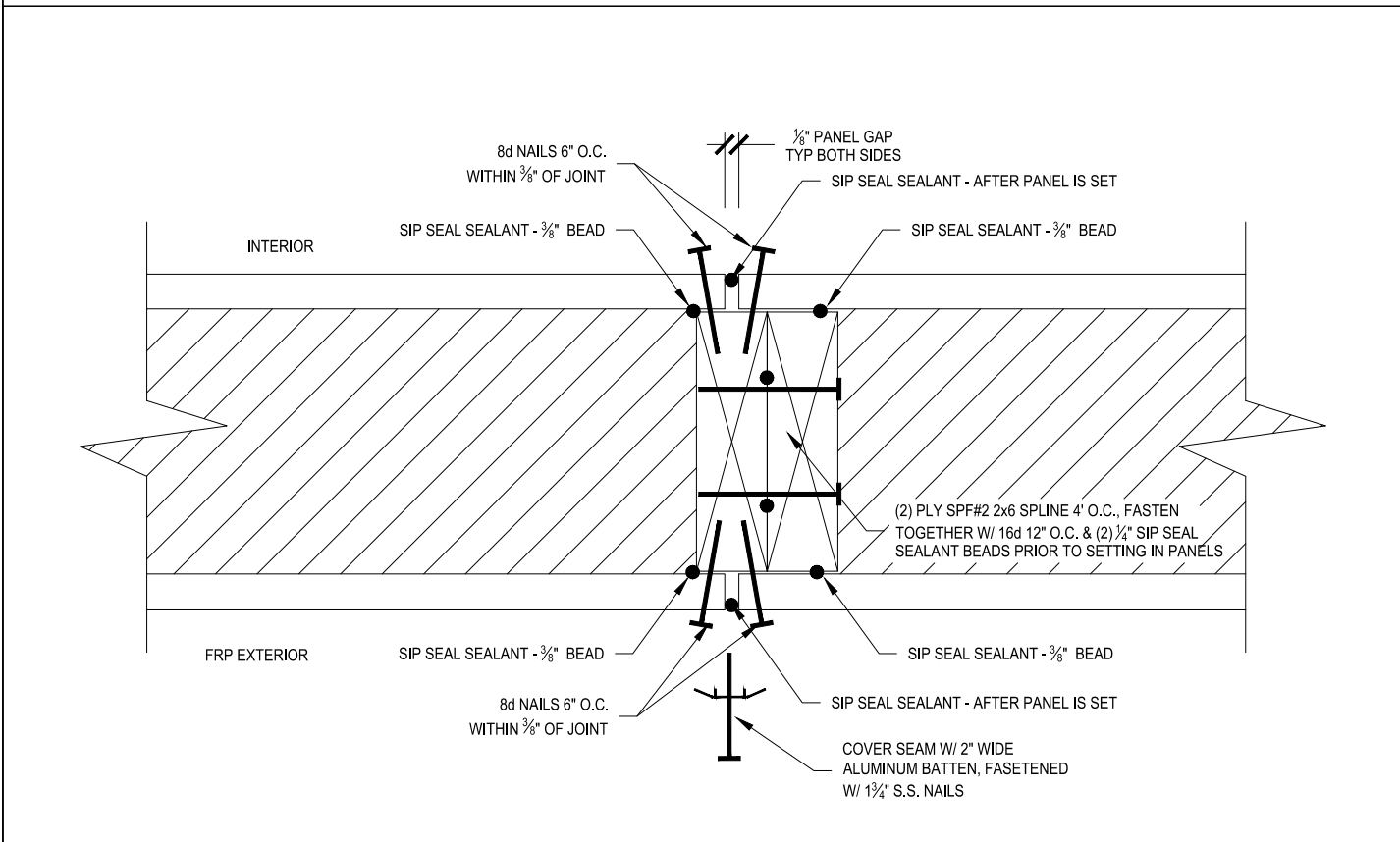
- ROOF SHEATHING**
1. ROOF SHEATHING SHALL BE APA-RATED SHEATHING STRUCTURAL PANEL. SEE SECTION FOR THICKNESS AND TYPE. EACH PANEL SHALL BE IDENTIFIED WITH THE GRADE TRADEMARK OF THE APA-ENGINEERED WOOD ASSOCIATION AND SHALL MEET THE REQUIREMENTS OF THE PRODUCT STANDARD. APPLICATION AND NAILING OF STRUCTURAL PANELS SHALL BE IN ACCORDANCE WITH THE RECOMMENDATIONS OF THE APA-ENGINEERED WOOD ASSOCIATION UNLESS REQUIREMENTS NOTED ON THESE CONTRACT DRAWINGS ARE MORE RESTRICTIVE. CHAIRS SHALL BE USED TO SUPPORT EDGES OF THE PLYWOOD SHEATHING BETWEEN TRUSSES, UNLESS BLOCKING IS OTHERWISE REQUIRED OR PROVIDED.
  2. PANELS SHALL BE ORIENTED WITH THE FACE GRAIN PERPENDICULAR TO THE TRUSS SUPPORTS AND PANEL JOINTS SHALL BE STAGGERED.
  3. GAP ALL PANEL EDGES 1/2"
  4. PROVIDE 2x BLOCKING AT RIDGE OF TRUSSES EACH SIDE OF RIDGE VENT
  5. MINIMUM ROOF DAMPENING NAILING SHALL BE AS FOLLOWS:
    - 5.1. NAILS USED TO FASTEN THE ROOF SHEATHING SHALL BE 11/16x20" R.S. GUN NAILS UNLESS NOTED OTHERWISE.
    - 5.2. NAIL PANEL EDGES TO TRUSSES OR SUPPORTS AT 6" O.C.
    - 5.3. NAIL PANEL EDGES TO TRUSSES OR SUPPORTS AT 6" O.C.
    - 5.4. NAIL PANELS TO INTERMEDIATE TRUSSES OR SUPPORTS AT 12" O.C.
  6. SHEATHING PANEL SHALL NOT BE LESS THAN 4x8 EXCEPT AT BOUNDARIES AND CHANGES IN FRAMING WHERE THE MINIMUM PANEL DIMENSIONS SHALL BE 2x8 UNLESS ALL EDGES OF THE UNDERSIZED PANELS ARE SUPPORTED BY MINIMUM 2x FRAMING MEMBERS OR SUPPLEMENTAL BLOCKING.



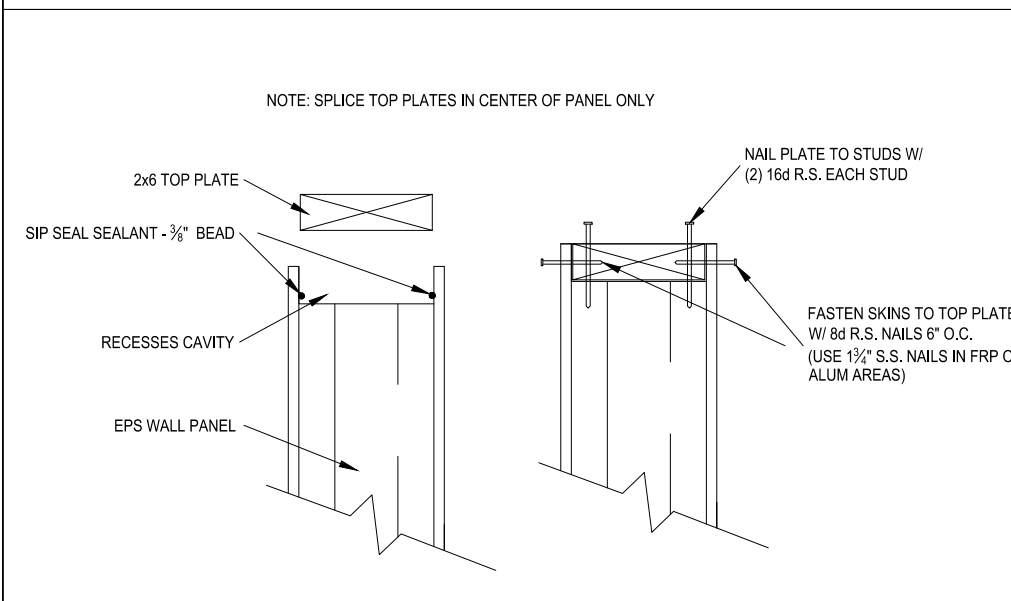
101A - PANEL / PANEL CONNECTION



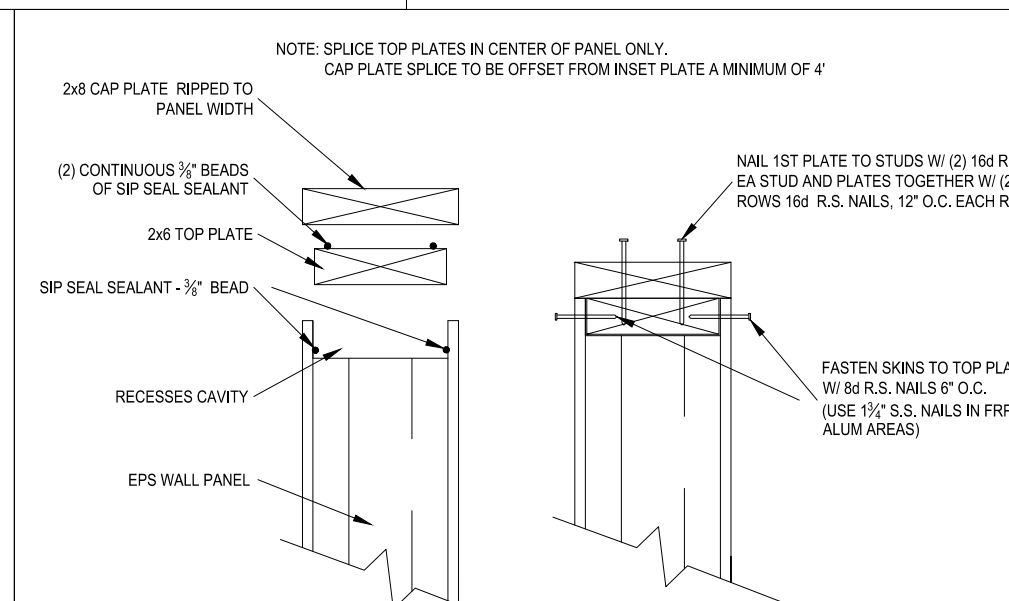
101B - PANEL / PANEL CONNECTION



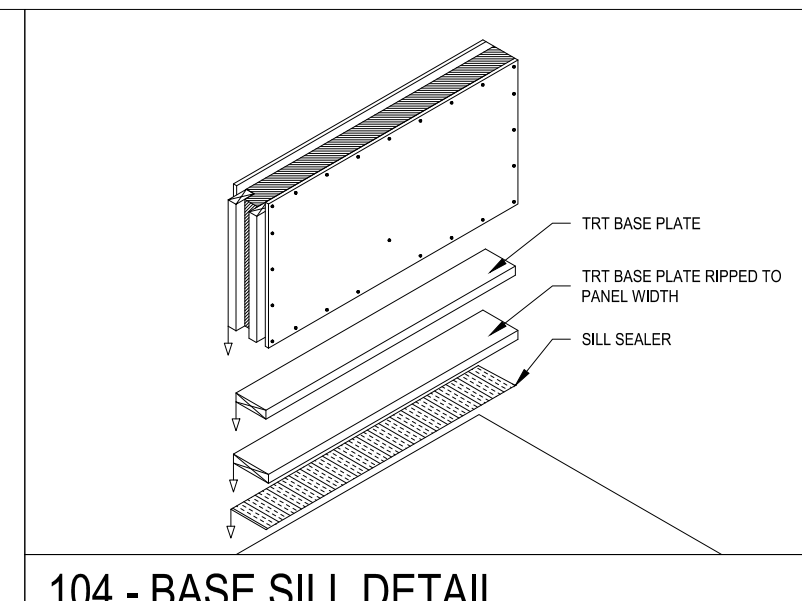
101C - PANEL / PANEL CONNECTION



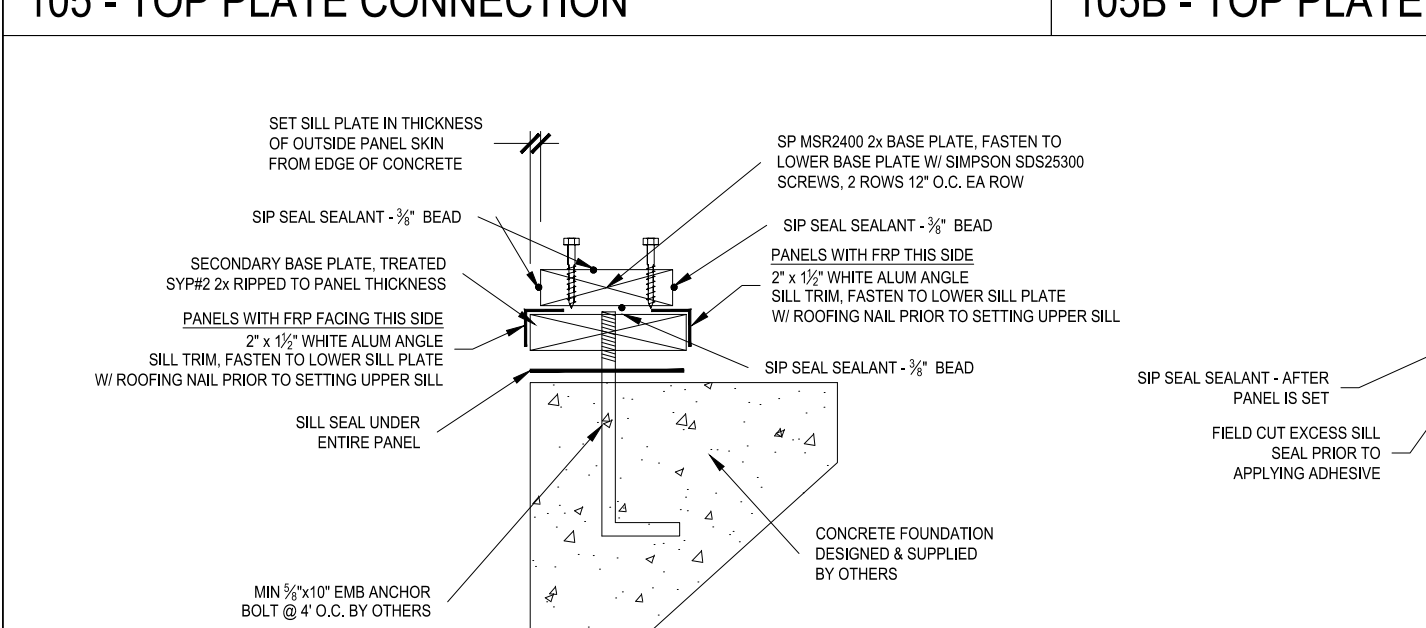
105 - TOP PLATE CONNECTION



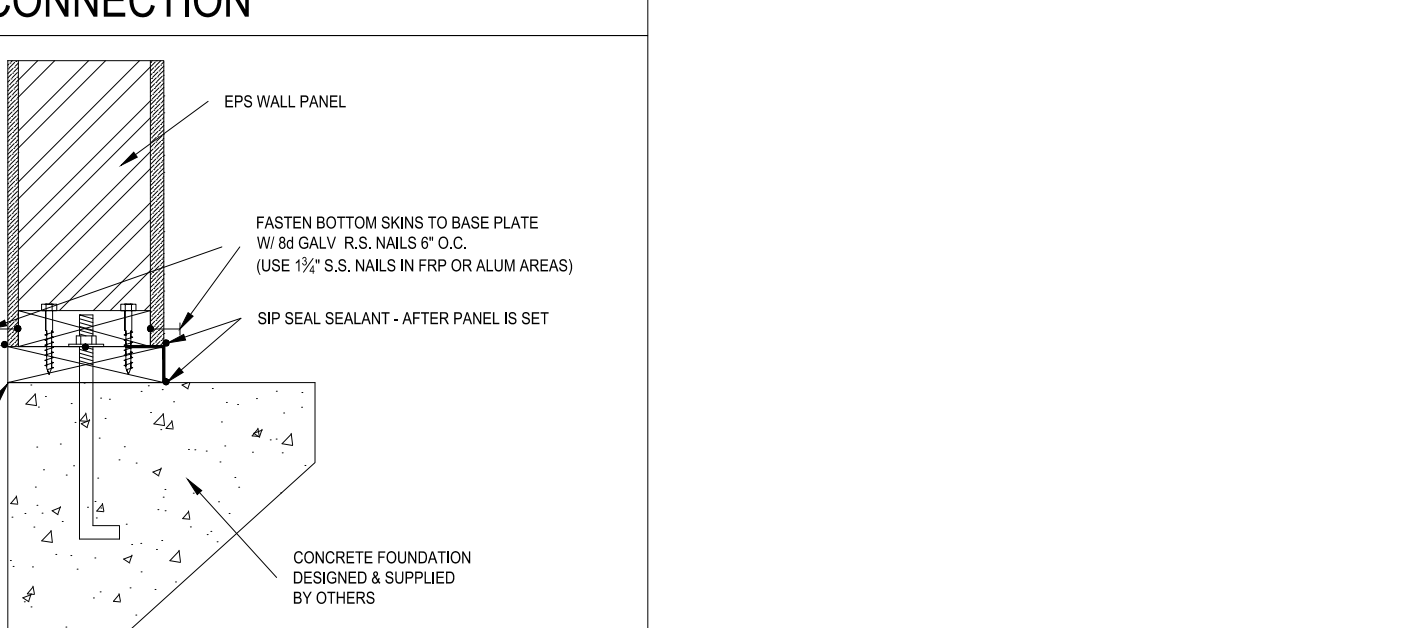
105B - TOP PLATE CONNECTION



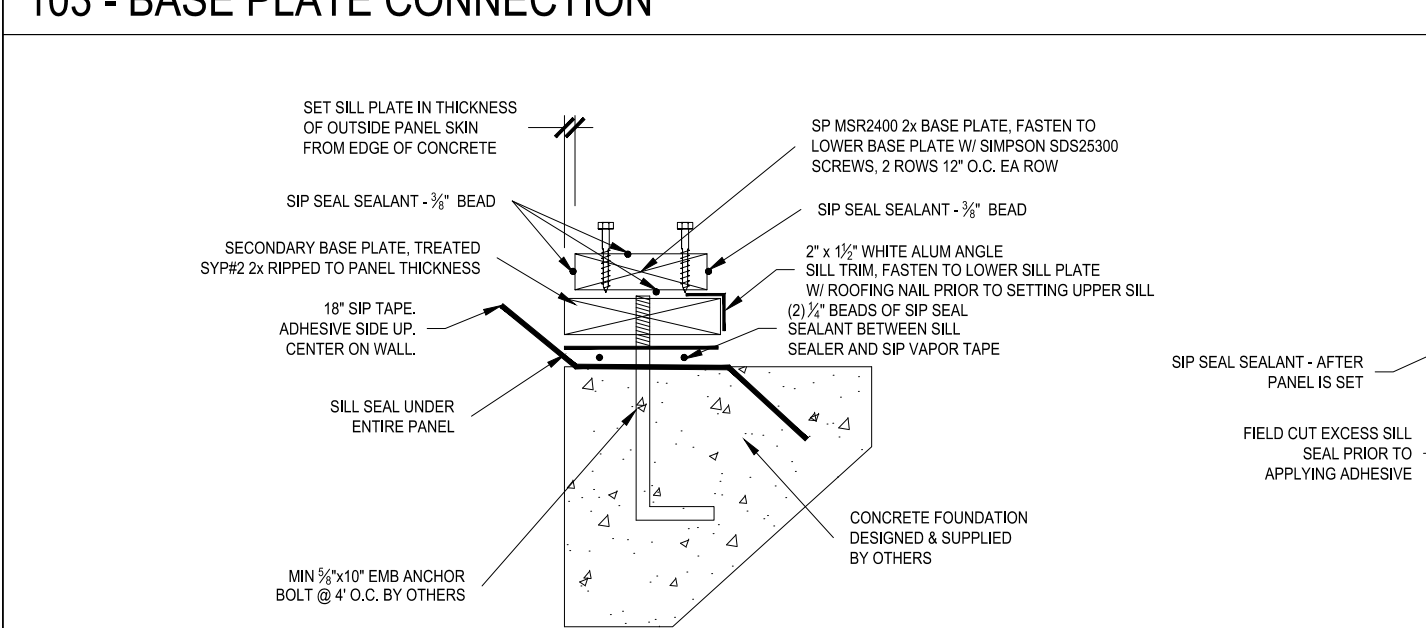
104 - BASE SILL DETAIL



103 - BASE PLATE CONNECTION

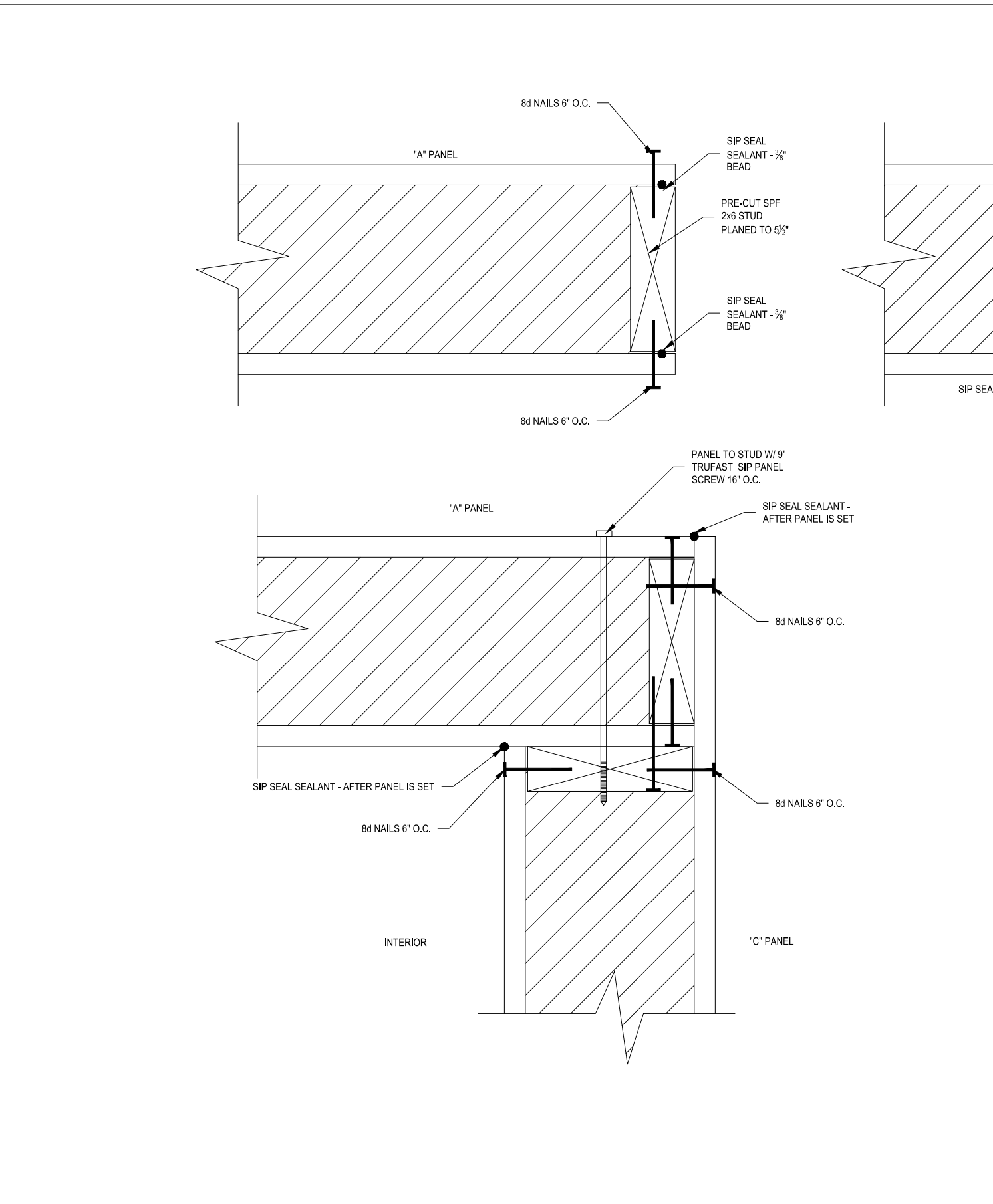


103B - BASE PLATE CONNECTION

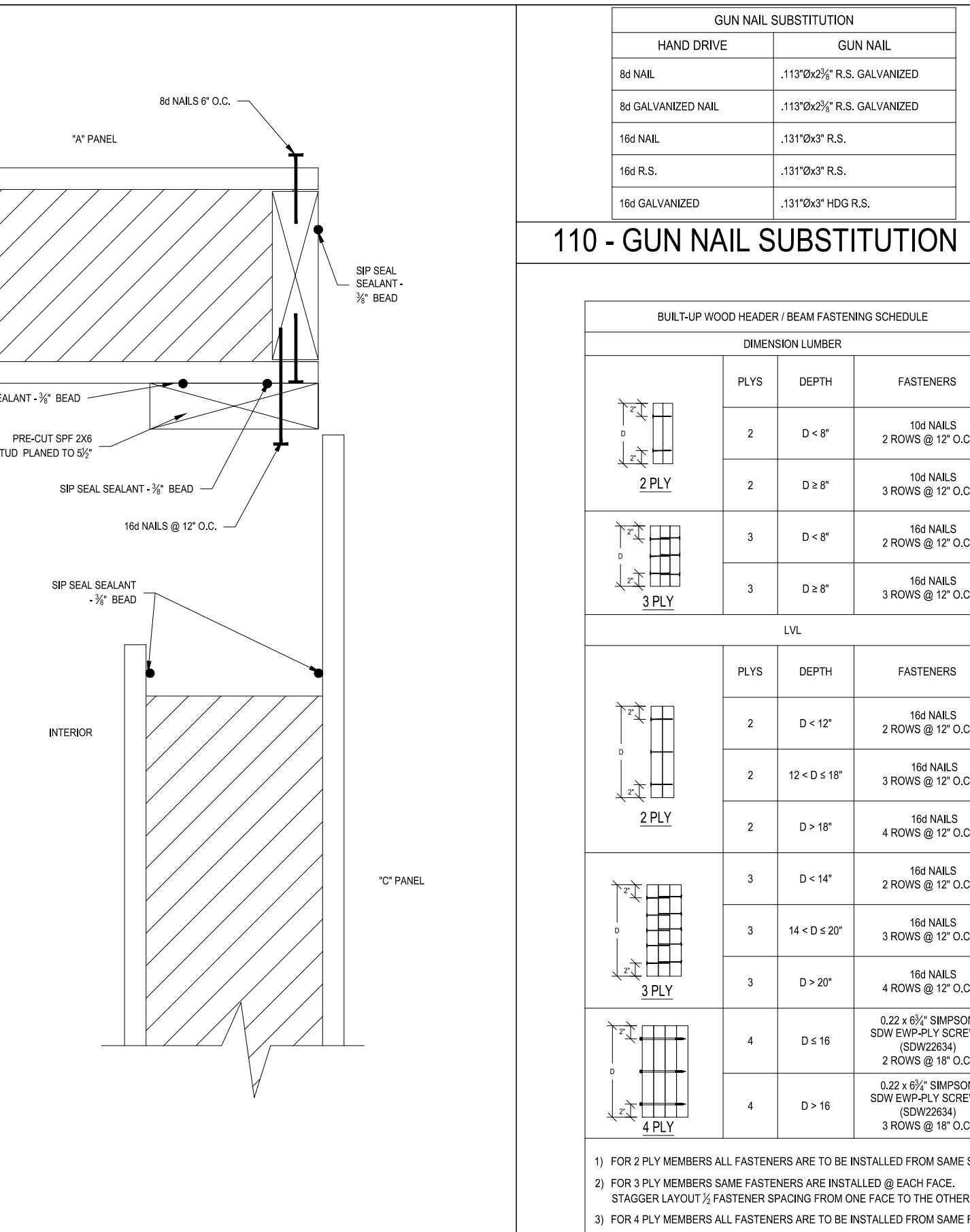


103C - BASE PLATE CONNECTION

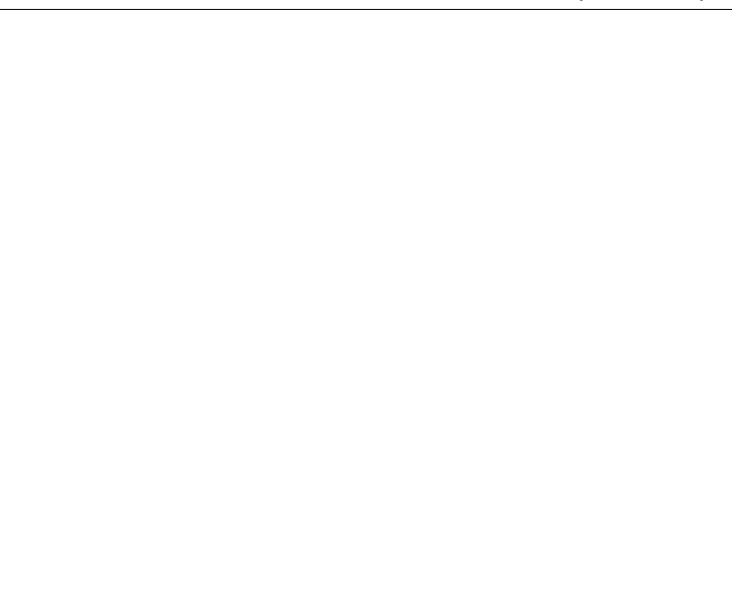
NOTE: ADHERE VAPOR TAPE TO A SURFACE THAT IS FREE OF DIRT, DUST AND OILY RESIDUE. GRADUALLY PEEL AND STICK THE TAPE IN INCREMENTS OF 2' OR LESS AND WORK FROM THE CENTER OF THE TAPE TO THE OUTSIDE EDGE TO ELIMINATE WRINKLES. A WRINKLE FREE INSTALLATION IS NECESSARY TO INSURE PROPER PERFORMANCE. USING A J-ROLLER, DRYWALL BLADE OR HARD SQUEEGEE, APPLY PRESSURE TO FULLY CONTACT THE ADHESIVE TO THE BONDING SURFACE. STORE VAPOR TAPE IN ITS ORIGINAL PACKAGING AT TEMPERATURES LOWER THAN 90 DEGREES F AND FREE OF EXCESSIVE DUST AND DIRT.



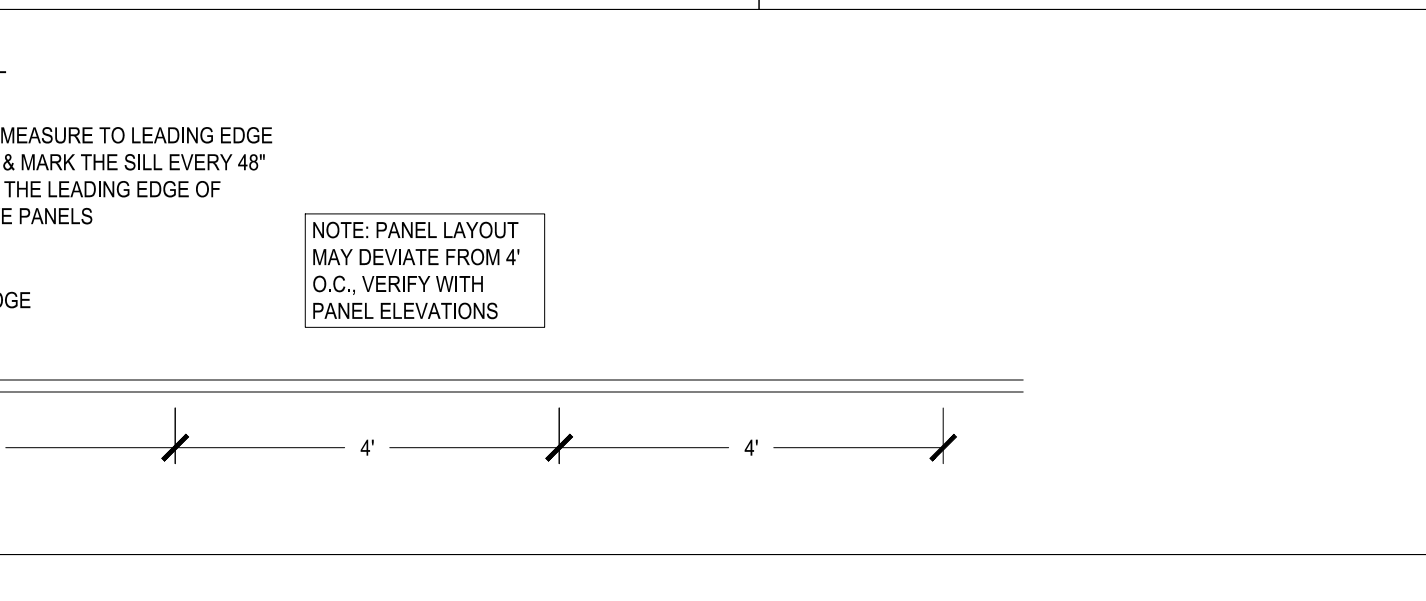
108 - CORNER CONNECTION (SHOP)



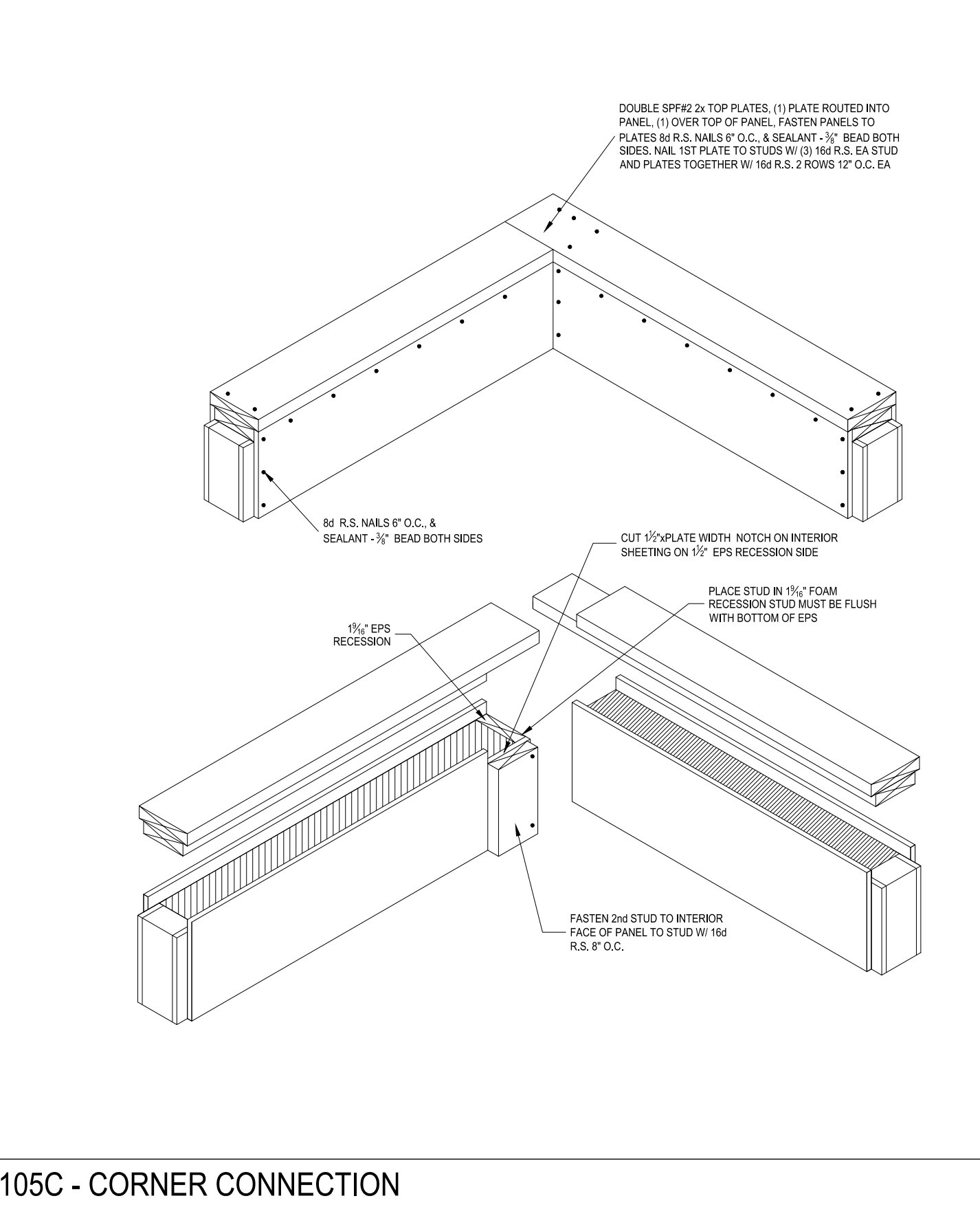
111 - MULTIPLE LVL FASTENING



106 - PANEL LAYOUT



106 - PANEL LAYOUT



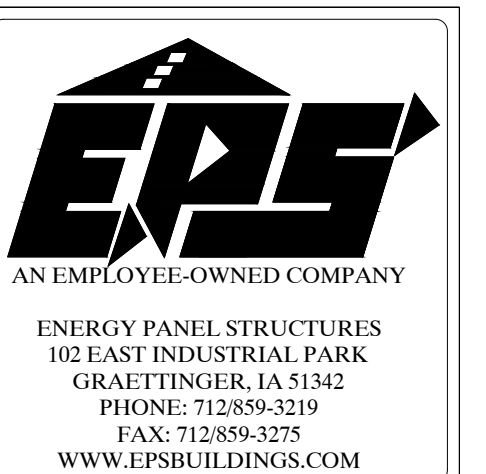
105C - CORNER CONNECTION

GUN NAIL SUBSTITUTION	
HAND DRIVE	GUN NAIL
8d NAIL	.1170x2 1/2" R.S. GALVANIZED
8d GALVANIZED NAIL	.1170x2 1/2" R.S. GALVANIZED
16d NAIL	.1317x4 1/2" R.S.
16d R.S.	.1317x4 1/2" R.S.
16d GALVANIZED	.1317x4 1/2" HDG R.S.

110 - GUN NAIL SUBSTITUTION

BUILT-UP WOOD HEADER / BEAM FASTENING SCHEDULE			
DIMENSION LUMBER	PLYS	DEPTH	FASTENERS
2 PLY	2	D < 4"	16d NAILS 2 ROWS @ 12" O.C.
	2	D > 4"	16d NAILS 3 ROWS @ 12" O.C.
3 PLY	3	D < 4"	16d NAILS 2 ROWS @ 12" O.C.
	3	D > 4"	16d NAILS 3 ROWS @ 12" O.C.
LVL			
2 PLY	2	D < 12"	16d NAILS 2 ROWS @ 12" O.C.
	2	12" < D ≤ 18"	16d NAILS 3 ROWS @ 12" O.C.
3 PLY	2	D > 18"	16d NAILS 4 ROWS @ 12" O.C.
	3	D < 14"	16d NAILS 2 ROWS @ 12" O.C.
4 PLY	3	14" < D ≤ 20"	16d NAILS 3 ROWS @ 12" O.C.
	3	D > 20"	16d NAILS 4 ROWS @ 12" O.C.
4 PLY	4	D ≤ 16"	0.22 x 6 1/2" SIMPSON SOW (SMW) 1 1/2" SCREWS (SDW2030)
	4	D > 16"	0.22 x 6 1/2" SIMPSON SOW (SMW) 1 1/2" SCREWS (SDW2034)

- FOR 2 PLY MEMBERS ALL FASTENERS ARE TO BE INSTALLED FROM SAME SIDE
- FOR 3 PLY MEMBERS SAME FASTENERS ARE INSTALLED @ EACH FACE. STAGGER LAYOUT 1/2" FASTENER SPACING FROM ONE FACE TO THE OTHER
- FOR 4 PLY MEMBERS ALL FASTENERS ARE TO BE INSTALLED FROM SAME FACE



ENERGY PANEL STRUCTURES  
102 EAST INDUSTRIAL PARK  
GRAETTINGER, LA 51342  
PHONE: 712-859-3219  
FAX: 712-859-3275  
WWW.EPSBUILDINGS.COM

PROJECT NUMBER:  
2025/SC/IA95698

CUSTOMER SERVICE:  
BRIAN D.

DRAWN BY:  
CHRIS K.

REVIEWED BY:  
DAVE M.

DATE:  
04/08/25

REVISIONS:  
04/11/25

Print Date: 4/11/2025

PROFESSIONAL ENGINEER  
I hereby certify that this plan, specification or report was prepared by me or under my direct supervision and that I am a duly Licensed Professional Engineer under the laws of the State of Mississippi.  
Name: Chris Kramer License: 42199  
Date: 04/10/25

DEALER:  
WELP CONST.  
PROJECT TITLE:  
LAKEFIELD LIQUOR  
SOLID CORE BUILDING PACKAGE

SHEET TITLE:  
**CONSTRUCTION DETAILS**

PROJECT STATUS:

SHEET:

**S9.1**