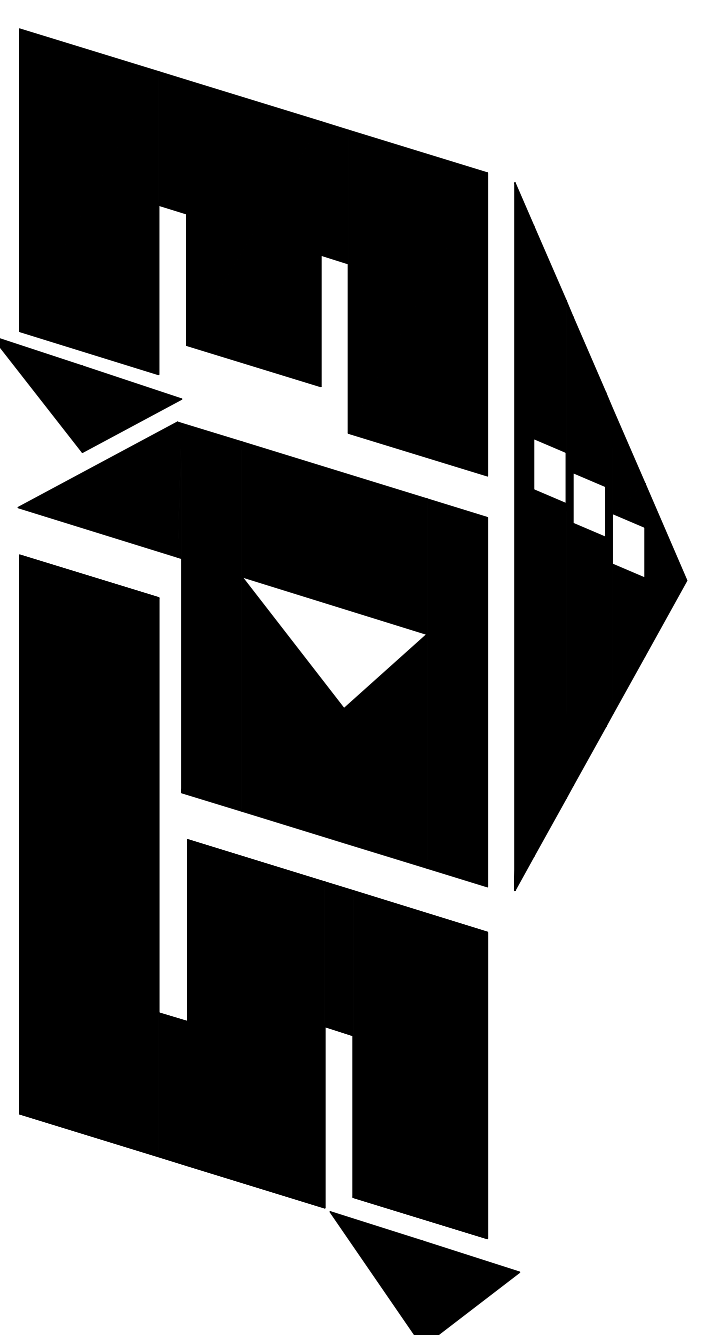


DESIGN LOADS

CODE BODY: IBC 2006
Pg: 25 PSF
IMPORTANCE FACTOR: 1.0
Ce: 1.0
Cs: 1.0
Ct: 1.1
Ps: 20 PSF



AN EMPLOYEE-OWNED COMPANY

ENERGY PANEL STRUCTURES
102 EAST INDUSTRIAL PARK
GRAETTINGER, IA 51342
PHONE: 712/859-3219
FAX: 712/859-3275
WWW.EPSBUILDINGS.COM

SHEET DRAWING INDEX

S1	COVER PAGE
S2	PLANVIEW
S3	2ND FLOOR PLANVIEW
S4	CROSS SECTIONS
S5	PANEL ELEVATIONS
S6	GARAGE PANEL ELEVATIONS
C1	CONSTRUCTION DETAILS

GENERAL INFORMATION

DEALER:

CUSTOM BUILDERS
4324 PINE RIDGE TRAIL
IOWA CITY, IA 52240
PH: 563-559-6196
PH: 563-886-2172

OWNER:

PARSONS PROPERTIES
1129 & 1129 1/2 WASHINGTON ST.
IOWA CITY, IA 52240
PH:

BUILDING TYPE:

SOLID CORE

BUILDING USAGE:

RESIDENTIAL

DRAWN:

MAB

REVIEWED BY:

DMM

DATE:

7/1/09

JOB #:

2009/HOUSE/66545

* THIS SET OF PLANS ARE PANEL SHOP PLANS ONLY. OVERALL STRUCTURAL DESIGN OF THIS BUILDING IS BY OTHERS, AND NOT THE RESPONSIBILITY OF ENERGY PANEL STRUCTURES.

* THIS DRAWINGS ARE INTENDED TO BE USED BY CONTRACTORS WITH BUILDING CONSTRUCTION KNOWLEDGE. ENERGY PANEL STRUCTURES CAN NOT BE HELD RESPONSIBLE FOR MISUSE OF MISINTERPRETATION OF INFORMATION INCLUDED IN THESE DRAWINGS, OR THE USE OF THESE DRAWINGS BY PEOPLE WITHOUT BUILDING CONSTRUCTION KNOWLEDGE.

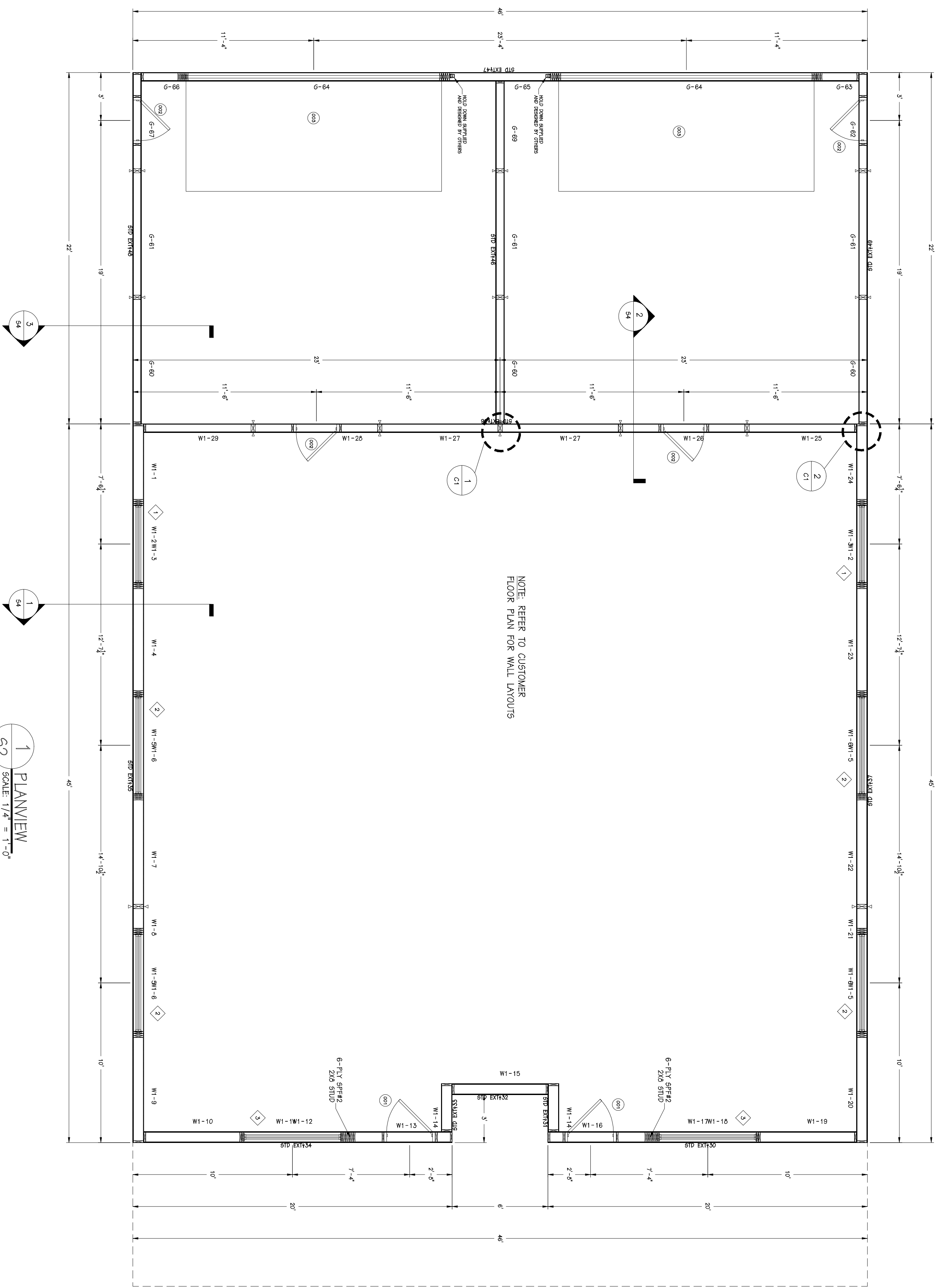
* SIP PANEL WALL CONSTRUCTION BUILDINGS ARE DESIGNED FOR MINIMAL AIR INFILTRATION. IT IS RECOMMENDED THAT GENERAL CONSTRCTOR/OWNER WORKS IN CONUNCTION WITH A HVAC PROFESSIONAL TO DESIGN A SYSTEM TO INSURE AIR QUALITY AND MOISTURE CONTROL. AIR TO AIR EXCHANGERS ARE RECOMMENDED IN SUCH TYPE STRUCTURES.

* ALL DOOR AND WINDOW OPENINGS SHOWN ON THIS DRAWING ARE THE ACTUAL SIZE OF THE OPENING PROVIDED. GENERAL CONTRACTOR/OWNER'S RESPONSIBILITY TO VERIFY ALL LOCATIONS AND SIZES.

* THIS BUILDING IS DESIGNED USING THE ROOF AS A DIAPHRAGM(DEEP THIN BEAM) TO TRANSFER SIDEWALL AND ROOF WIND LOADS TO THE ENDWALL SHEAR WALLS SHOWN. ROOF SHEATHING IS AN INTEGRAL PART OF THE BUILDING STRUCTURE AND ANY FUTURE FIELD MODIFICATIONS MADE MAY BE DETRIMENTAL TO THE BUILDING'S STRUCTURAL PERFORMANCE.

* RESPONSIBILITY OF THESE DRAWINGS IS LIMITED TO THE BUILDING DESIGN SHOWN ON THE DRAWINGS. BUILDING DESIGN IS BASED ON NUMBER, SIZE AND LOCATION OF OPENINGS SHOWN ON THE DRAWINGS. NO RESPONSIBILITY IS ASSUMED FOR ADDITIONAL OPENINGS NOT SHOWN ON THE DRAWINGS OR CHANGES IN THE LOCATION OF OPENINGS.

* THIS IS A STRUCTURAL FRAMING DRAWING AND IS TO BE USED FOR THAT PURPOSE ONLY. CODES REGARDING FIRE SAFETY, PERSONAL SAFETY & INJURY ARE NOT ADDRESSED IN THIS DRAWING AND ARE THE RESPONSIBILITY OF THE OWNER



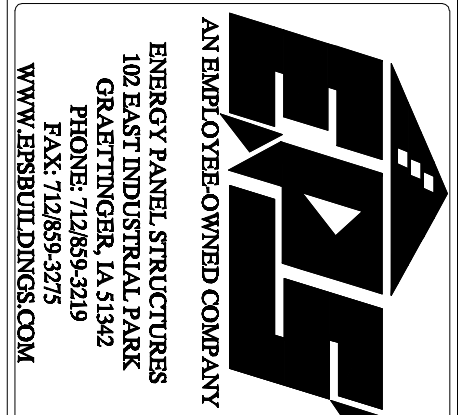
1 PLANVIEW
SCALE: 1/4" = 1'-0"

DOOR OPENING SCHEDULE

Number	Quantity	Rough Width	Rough Height	Head Height	Header	Bearing Studs (Each Side)	Full Studs (Each Side)
001	2	3'-2 1/2"	6'-10 1/2"	6'-10 1/2"	SFF#2 2x8 WRAPPED OPENING	--	--
002	4	2'-10 1/2"	6'-10 1/2"	6'-10 1/2"	SFF#2 2x6 WRAPPED OPENING	--	--
003	2	16'-0"	7'-0"	7'-0"	(2)-PLY 1-3/4"x11-7/8" LVL W/ (1) SFF#2 2x6 ABOVE AND (1) 2x6 BELOW	2	2

WINDOW SCHEDULE

Number	Quantity	Rough Width	Rough Height	Head Height	Header	Bearing Studs (Each Side)	Full Studs (Each Side)
1	2	5'-1 1/8"	3'-4 7/8"	6'-10 1/2"	(2)-PLY SP MSR2400 2x10 W/ (1) SFF#2 2x8 ABOVE AND 1x8 BELOW	2	--
2	4	6'-4 1/8"	4'-8 7/8"	6'-10 1/2"	(2)-PLY SP MSR2400 2x10 W/ (1) SFF#2 2x8 ABOVE AND 1x8 BELOW	2	--
3	2	6'-4 1/8"	4'-8 7/8"	6'-10 1/2"	SFF#2 2x8 WRAPPED OPENING	--	1



CUSTOM BUILDERS

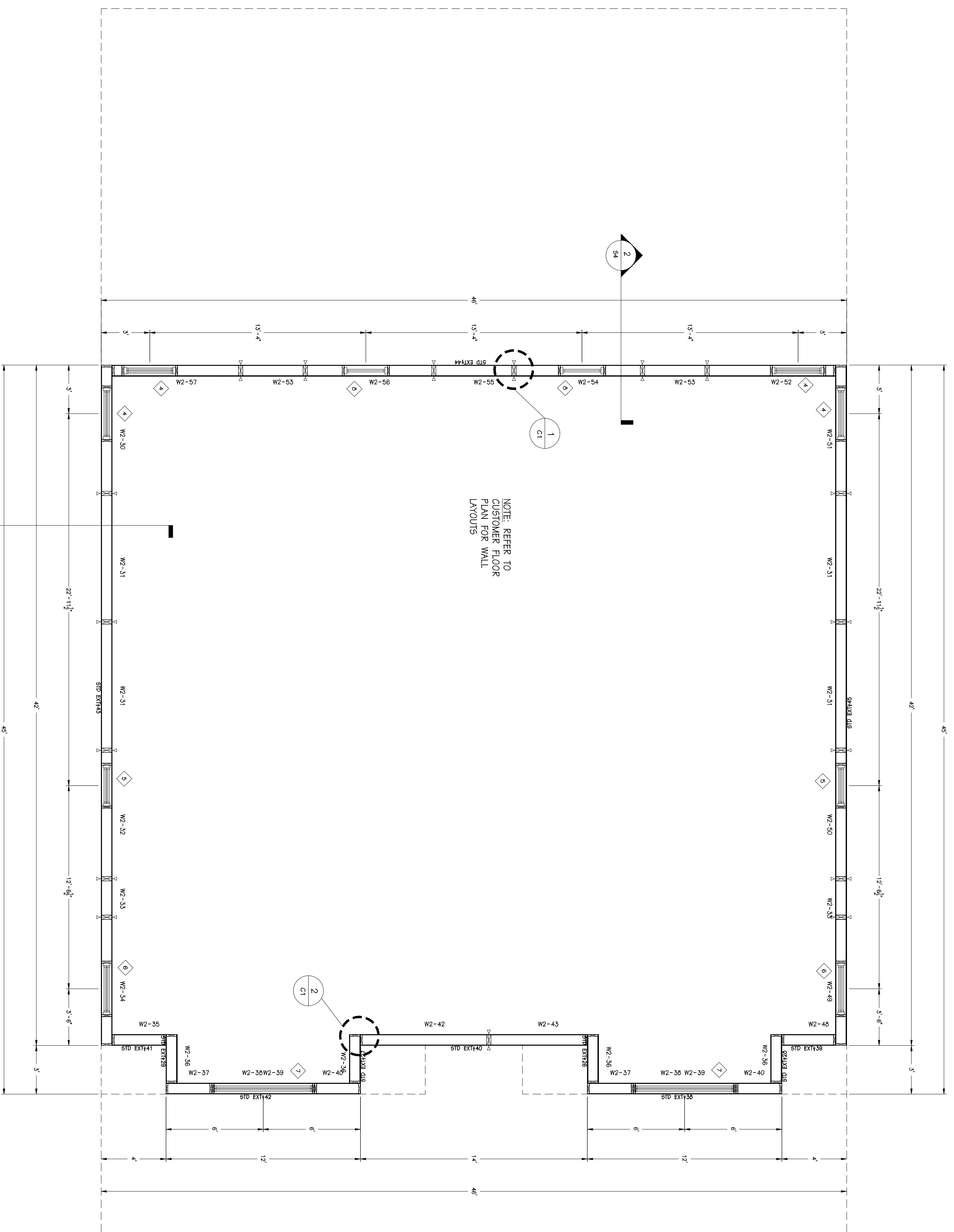
PARSONS PROPERTIES

SOLID CORE HOUSE PACKAGE

SCALE: NOTED DATE: 7/1/19
DRAWN BY: MAB REVISIONS BY: DMM
DWG. NO.: 2009/HOUSE/768545

REV: 0
REV: 0
REV: 0

S2



1
2ND FLOOR PLANVIEW
SCALE 1/4" = 1'-0"

WINDOW SCHEDULE

Number	Quantity	Rough Width	Rough Height	Head Height	Header	Bedding Studs (Each Side)	Full Studs (Each Side)
4	4	3'-2 1/8"	5'-4 7/8"	6'-10 1/2"	SPE#2 2x8 WRAPPED OPENING	--	--
5	2	2'-6 1/8"	3'-8 7/8"	6'-10 1/2"	SPE#2 2x8 WRAPPED OPENING	--	--
6	2	3'-2 1/8"	4'-8 7/8"	6'-10 1/2"	SPE#2 2x8 WRAPPED OPENING	--	--
7	2	6'-4 1/8"	4'-8 7/8"	6'-10 1/2"	SPE#2 2x8 WRAPPED OPENING	--	1
8	2	2'-8"	1'-5 1/2"	8'-1 1/8"	SPE#2 2x8 WRAPPED OPENING	--	--

ENERGY PANEL STRUCTURES
 10253 THUNDERBOLT PARK
 SUITE 100
 DALLAS, TX 75243
 PHONE: 714.899.9219
 FAX: 714.899.9275
 WWW.EBSBUILDINGS.COM

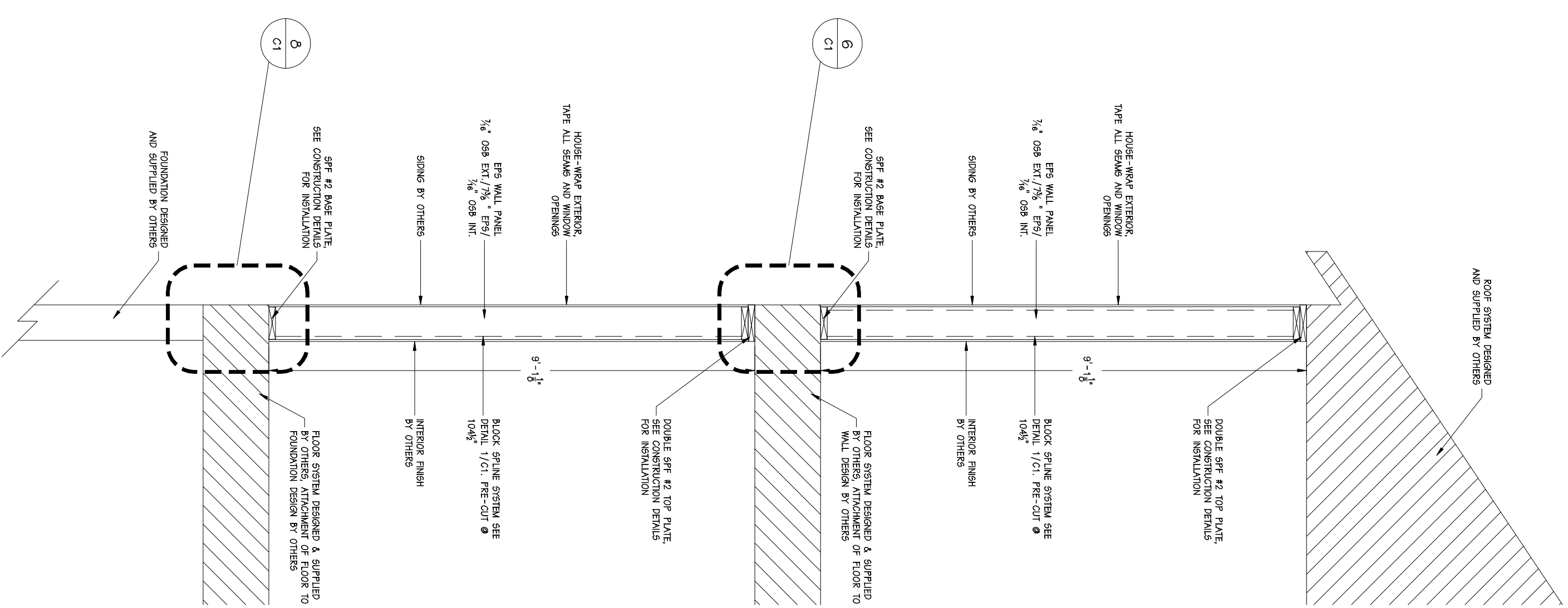
CUSTOM BUILDERS
PARSONS PROPERTIES
SOLID CORE HOUSE PACKAGE

SCALE: NOTED
 DATE: 7/1/19
 DRAWN BY: MAB
 REVISIONS: 0

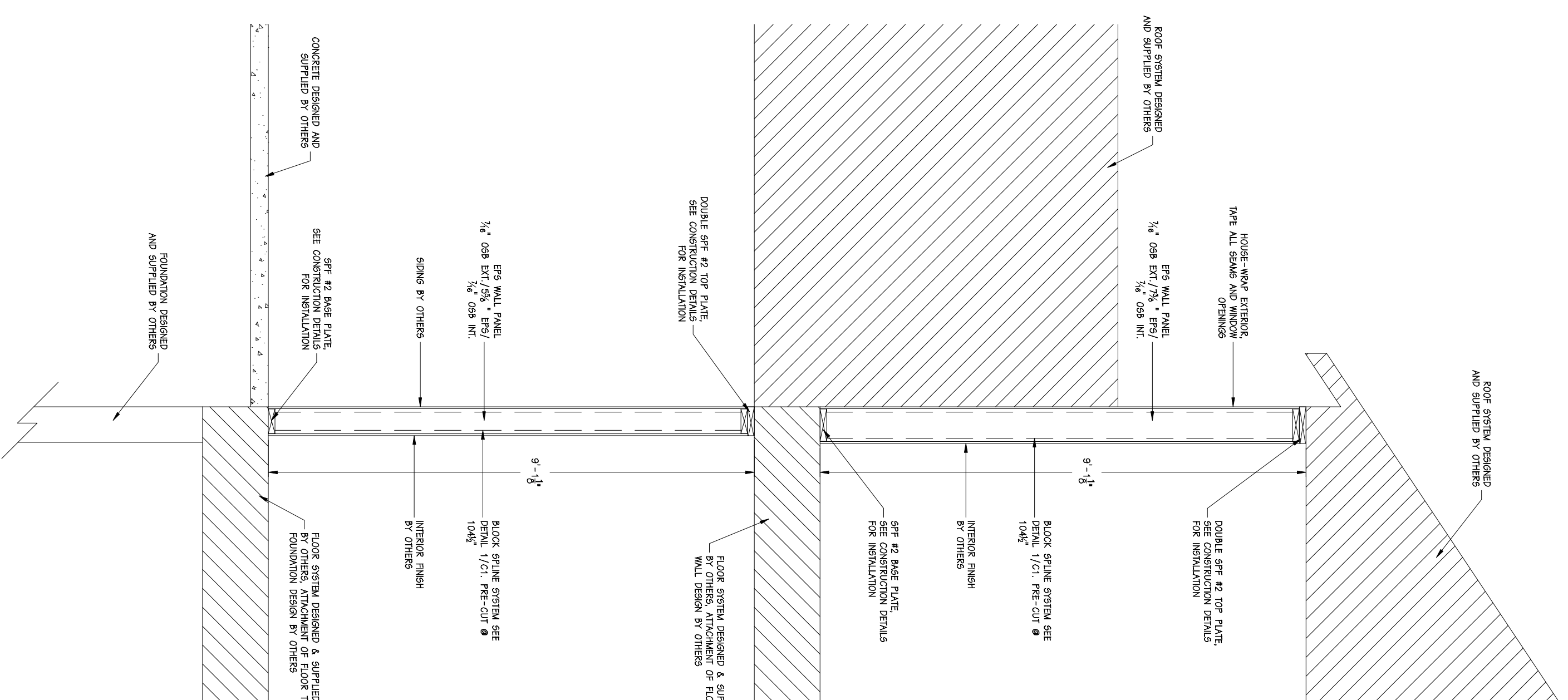
DATE: 7/1/19
 REVISIONS: 0

DATE: 7/1/19
 REVISIONS: 0

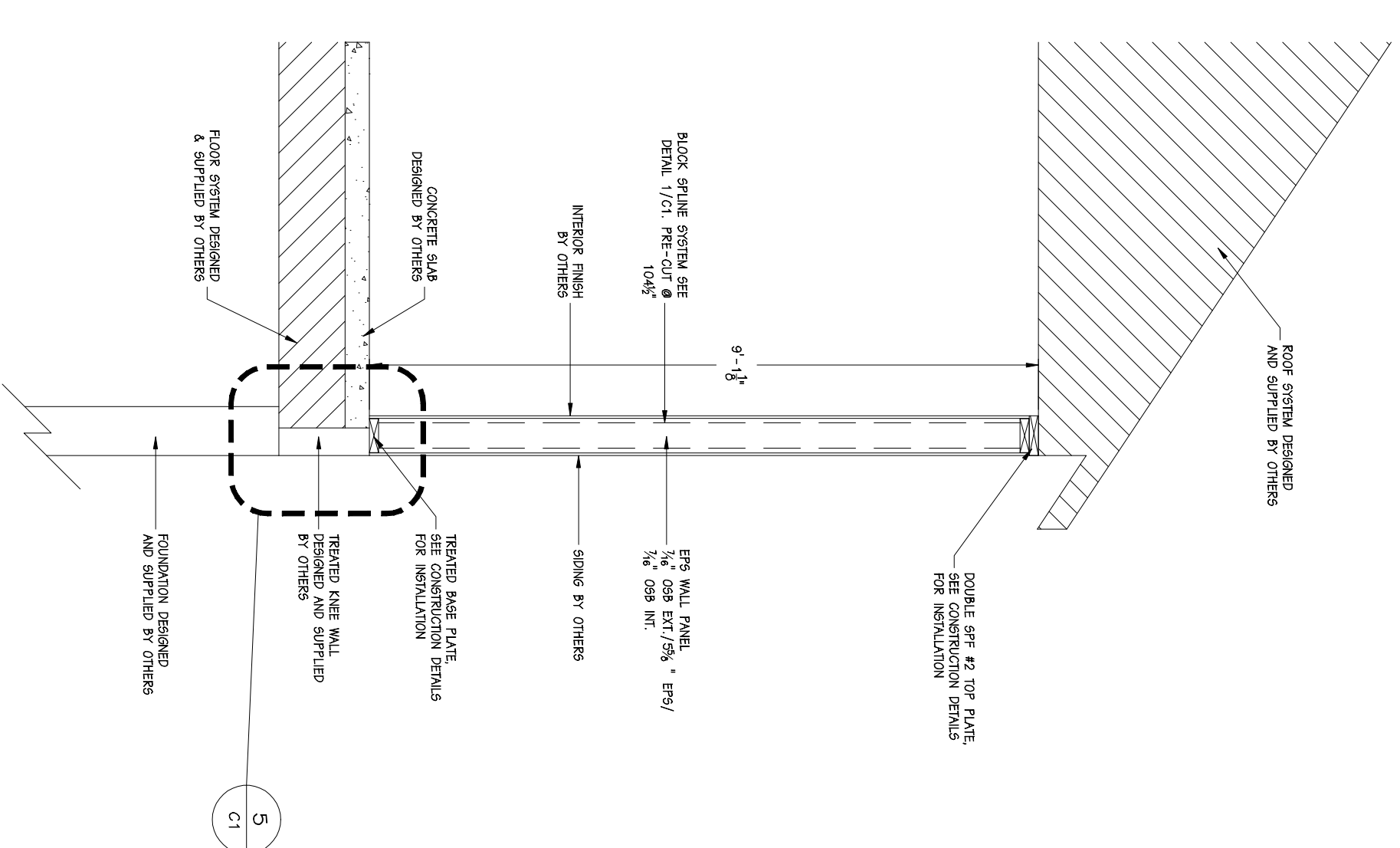
DATE: 7/1/19
 REVISIONS: 0



1 CROSS SECTION
S4 SCALE: 1/2" = 1'-0"



2 CROSS SECTION
S3 SCALE: 1/2" = 1'-0"



3 CROSS SECTION @ GARAGE
S3 SCALE: 1/2" = 1'-0"

ERS
AN EMPLOYEE-OWNED COMPANY

ENERGY PANEL STRUCTURES
12345 INDUSTRIAL PARK
CITY, STATE 12345
PHONE: 71289-3219
FAX: 71289-3275
WWW.ERSBUILDINGS.COM

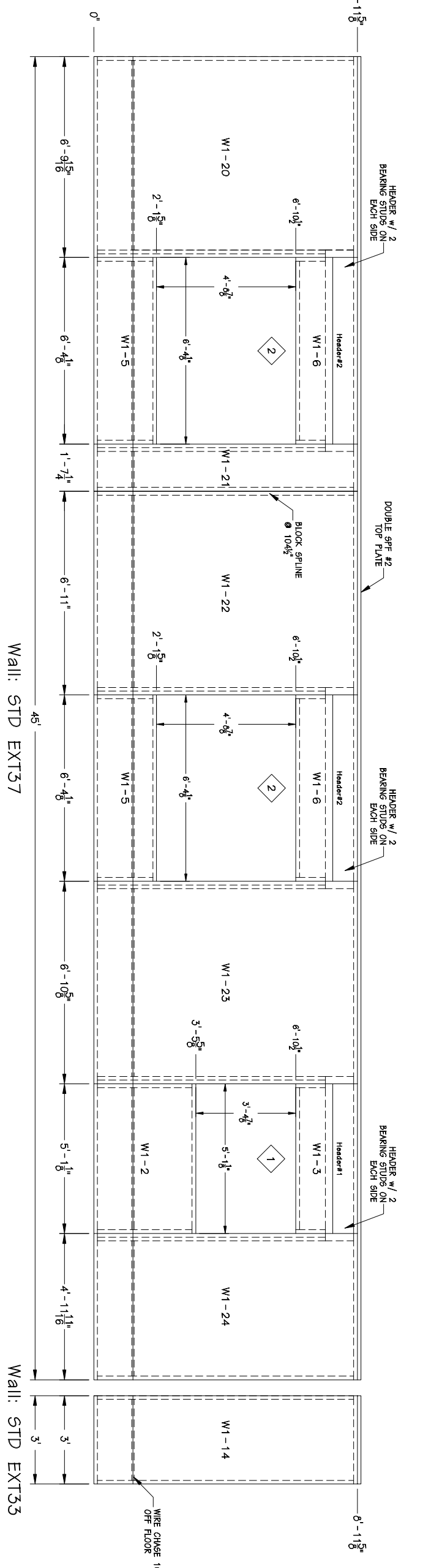
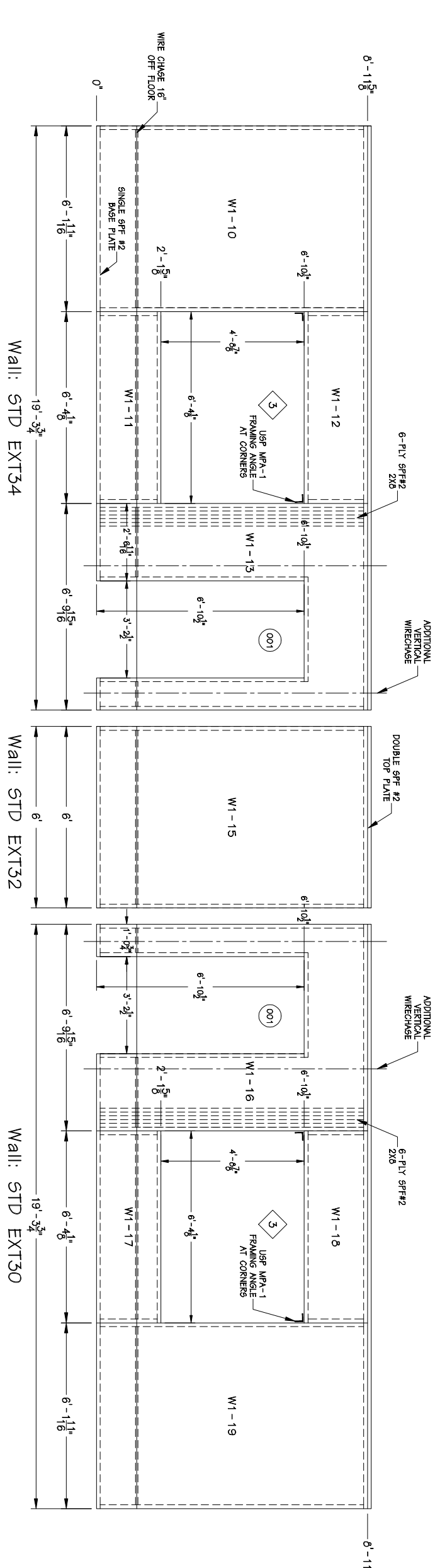
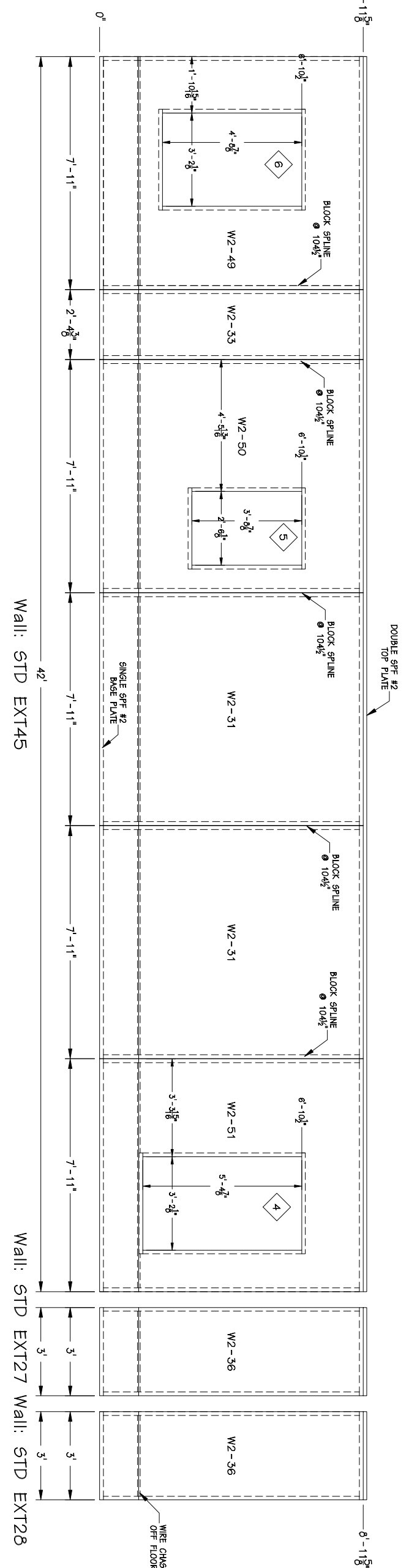
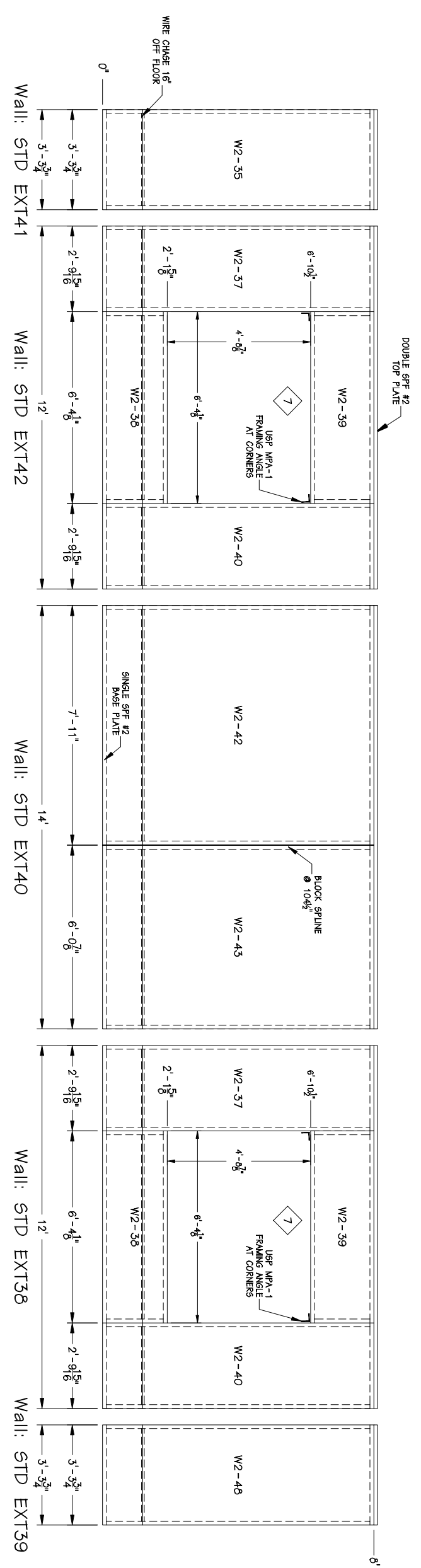
CUSTOM BUILDERS

PARSONS PROPERTIES

SOLID CORE HOUSE PACKAGE

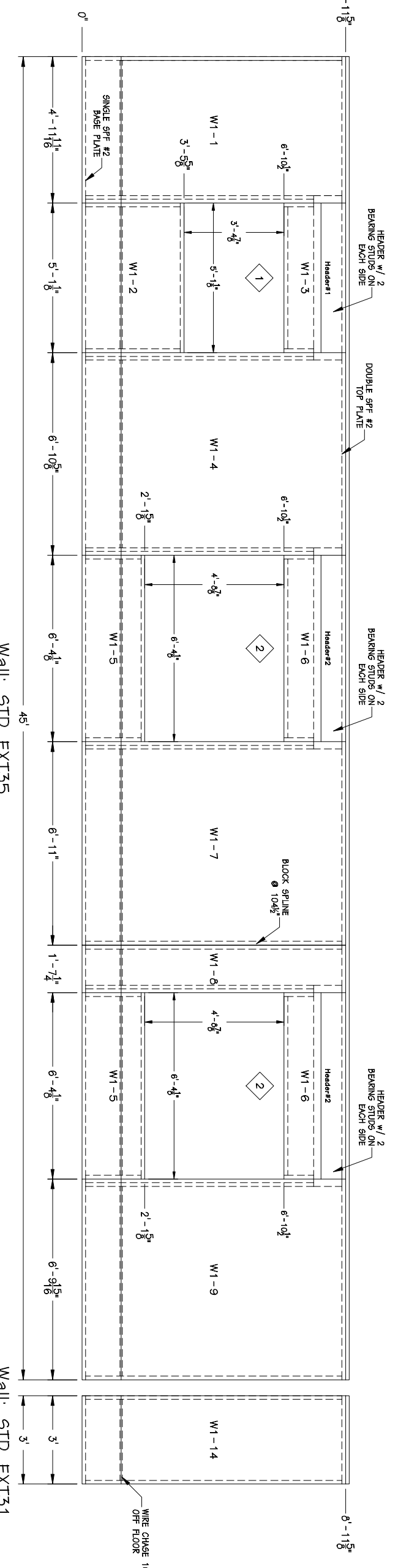
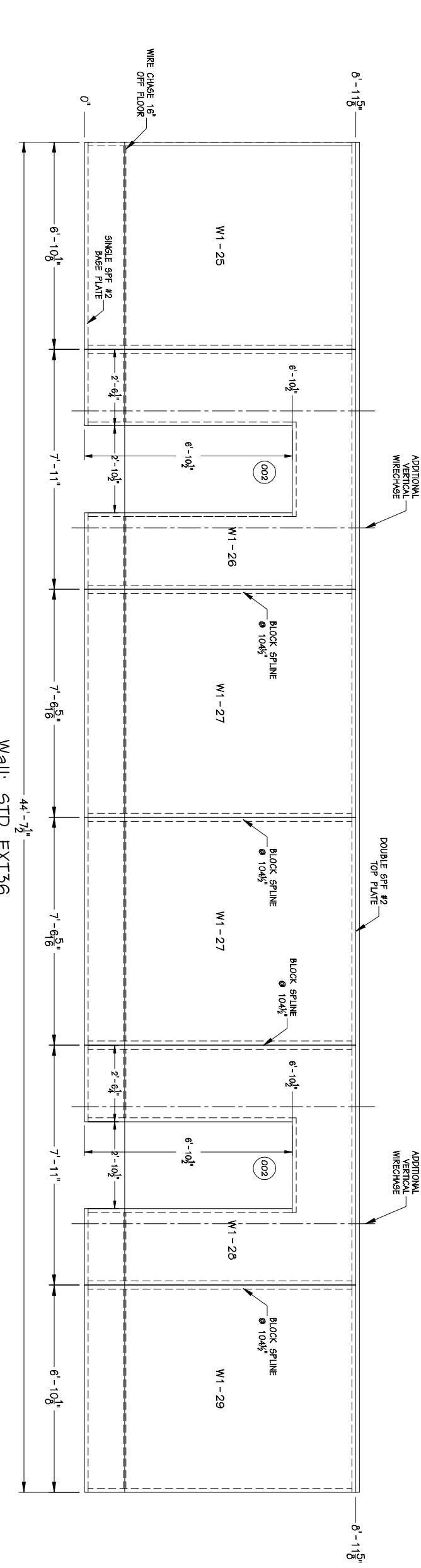
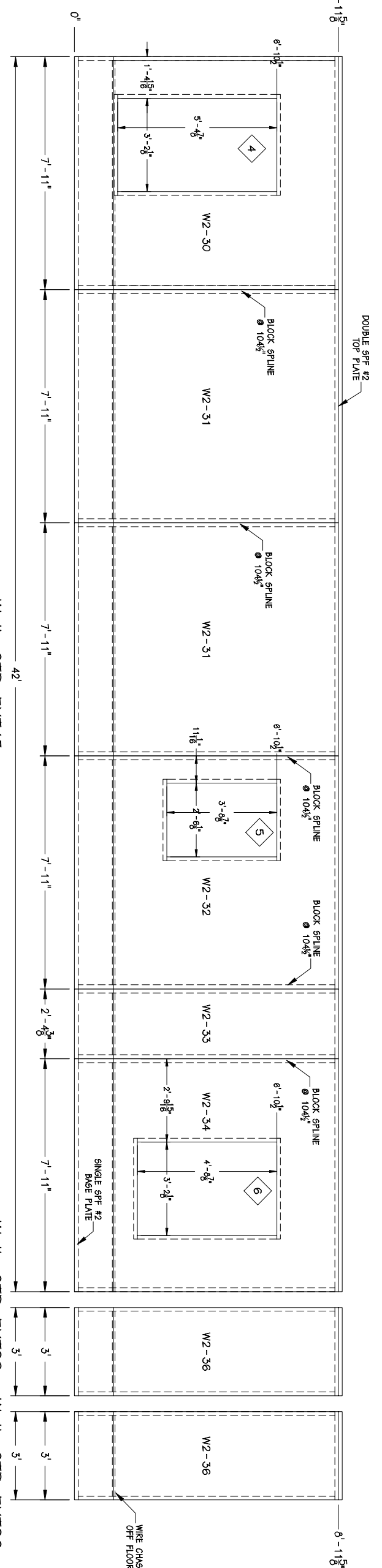
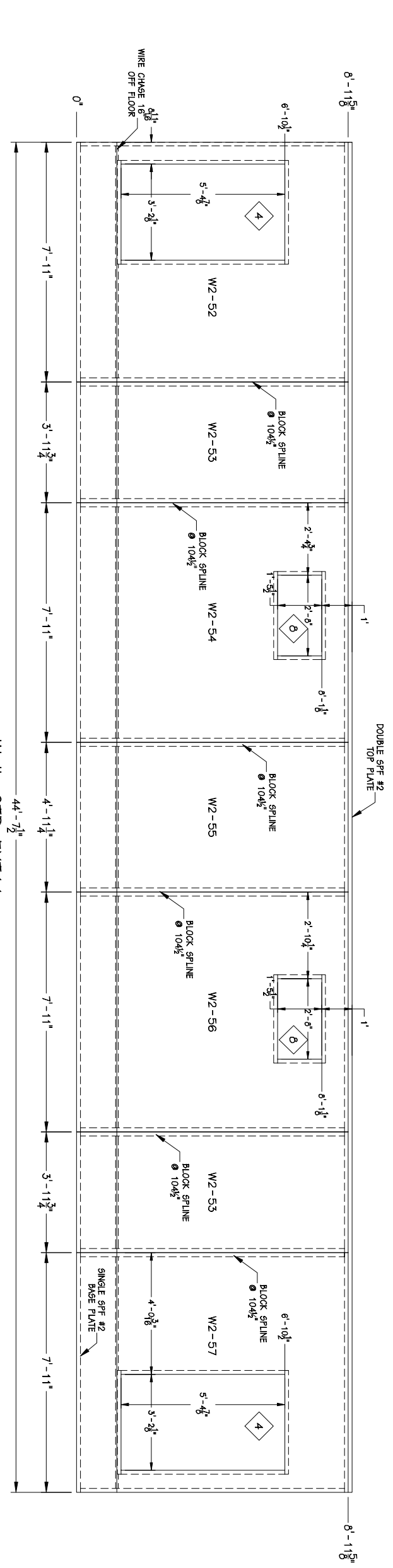
SCALE: NOTED	DATE: 7/1/19	REV: 0
DRAWN BY: MAB	RECORDED BY: DVAL	REV: 0
TRAC NO: 2019/HOUSE/768545		REV: 0

S4



1 FRONT PANEL ELEVATION
SCALE: 1/4" = 1'-0"

2 RIGHT PANEL ELEVATION
SCALE: 1/4" = 1'-0"



3 REAR PANEL ELEVATION
SCALE: 1/4" = 1'-0"

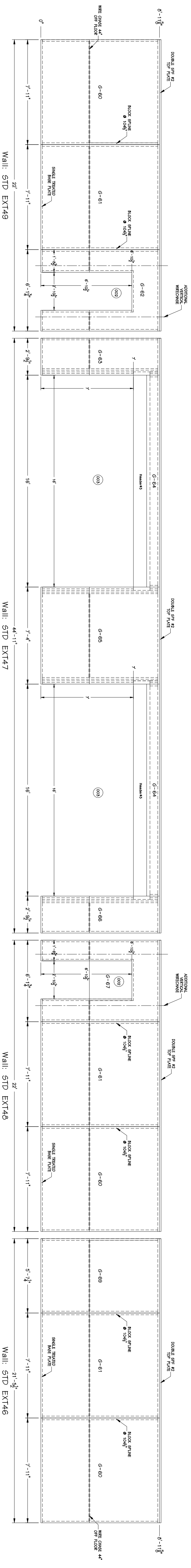
4 LEFT PANEL ELEVATION
SCALE: 1/4" = 1'-0"

PARSONS BUILDERS
PARSONS PROPERTIES
SOLID CORE HOUSE PACKAGE

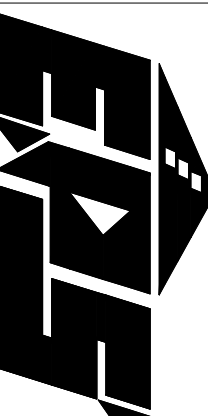
AN EMPLOYEE-OWNED COMPANY
ENERGY PANEL STRUCTURES
 10255 THUNDERBOLT PARK
 SUITE 200
 DALLAS, TEXAS 75243
 PHONE: 714.89.9219
 FAX: 714.89.9219
 WWW.ENERGYBUILDINGS.COM

CUSTOM BUILDERS
 SCALE: NOTED
 DATE: 7/1/19
 DRAWN BY: MAB
 REVISION: 0
 CHECKED BY: DMM
 REVISION: 0
 DATE: 2019/08/05/16:55:45

SHEET: **S5**



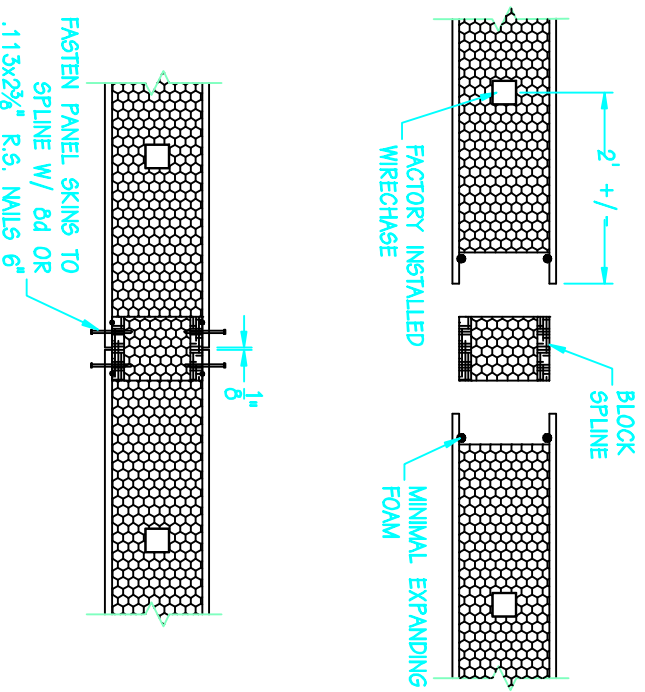
1 GARAGE PANEL ELEVATION
 S6 SCALE 1/4" = 1'-0"



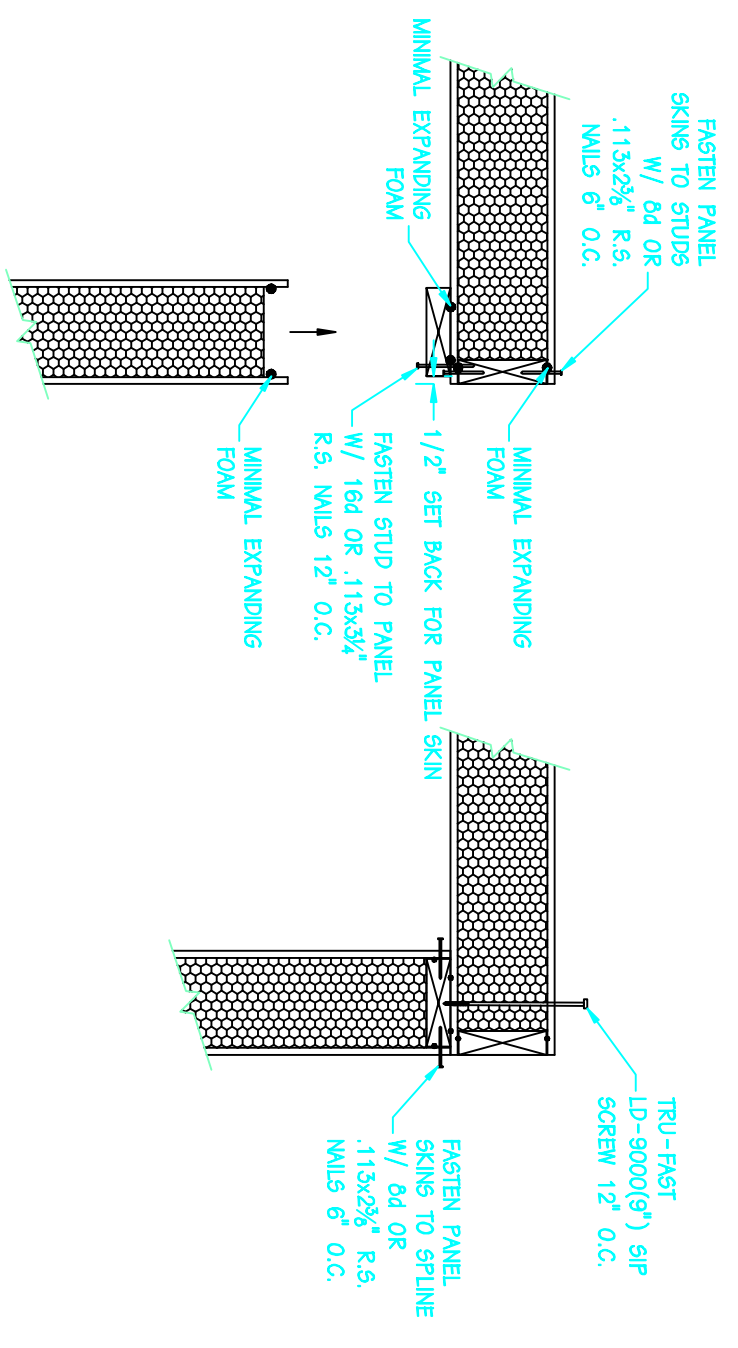
AN EMPLOYEE-OWNED COMPANY
ENERGY PANEL STRUCTURES
 100 EAST TOWNSEND AVENUE
 SUITE 1000
 PHOENIX, AZ 85012
 PHONE: 728-962-219
 FAX: 728-962-275
 WWW.EBSBUILDINGS.COM

CUSTOM BUILDERS
PARSONS PROPERTIES
SOLID CORE HOUSE PACKAGE

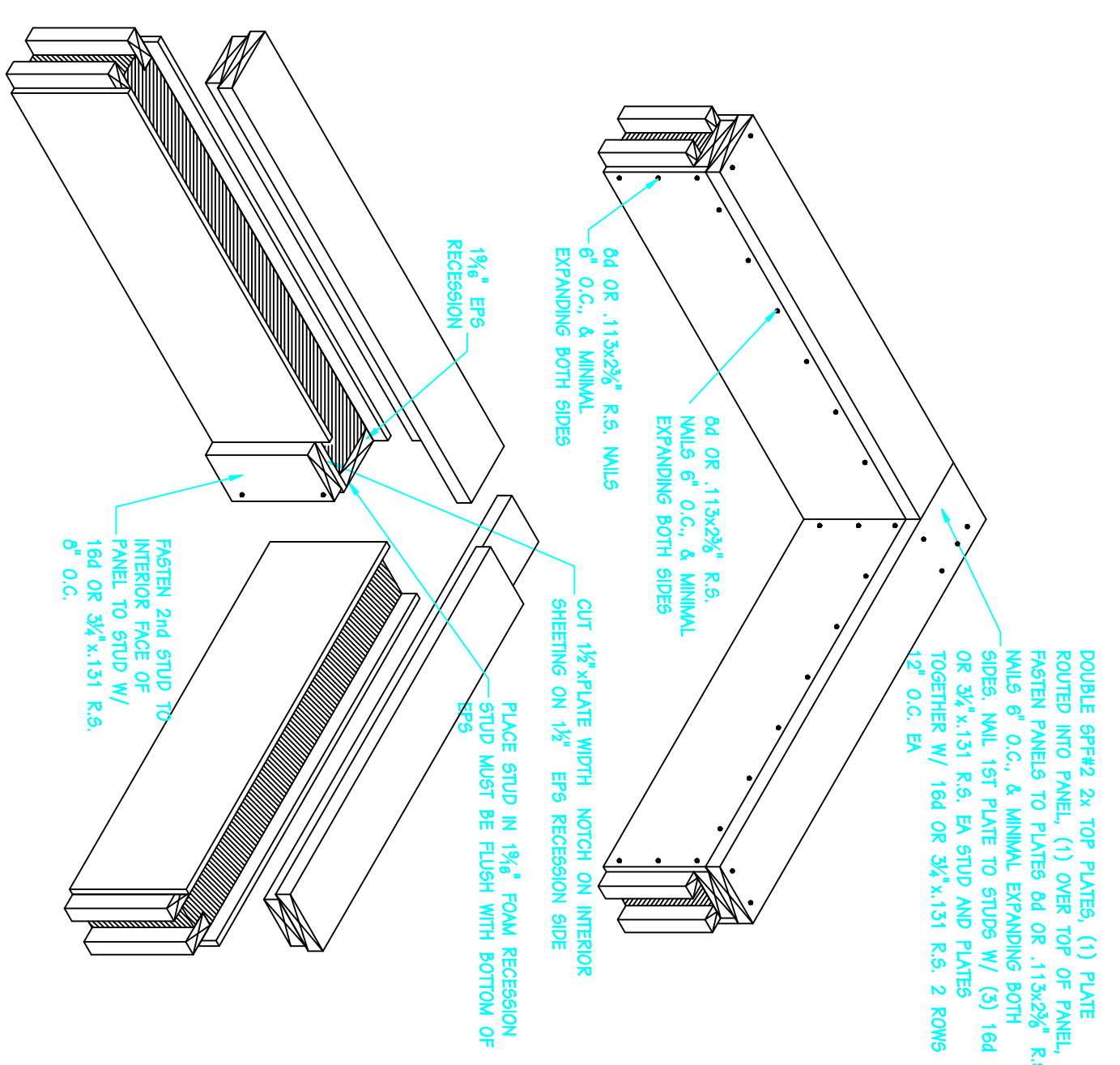
SCALE: NOTED	DATE: 7/1/19	REV: 0	S6
DRAWN BY: MAB	REVIEWED BY: DMM	REV: 0	
DATE: 2019/HOUSE/68545		REV: 0	



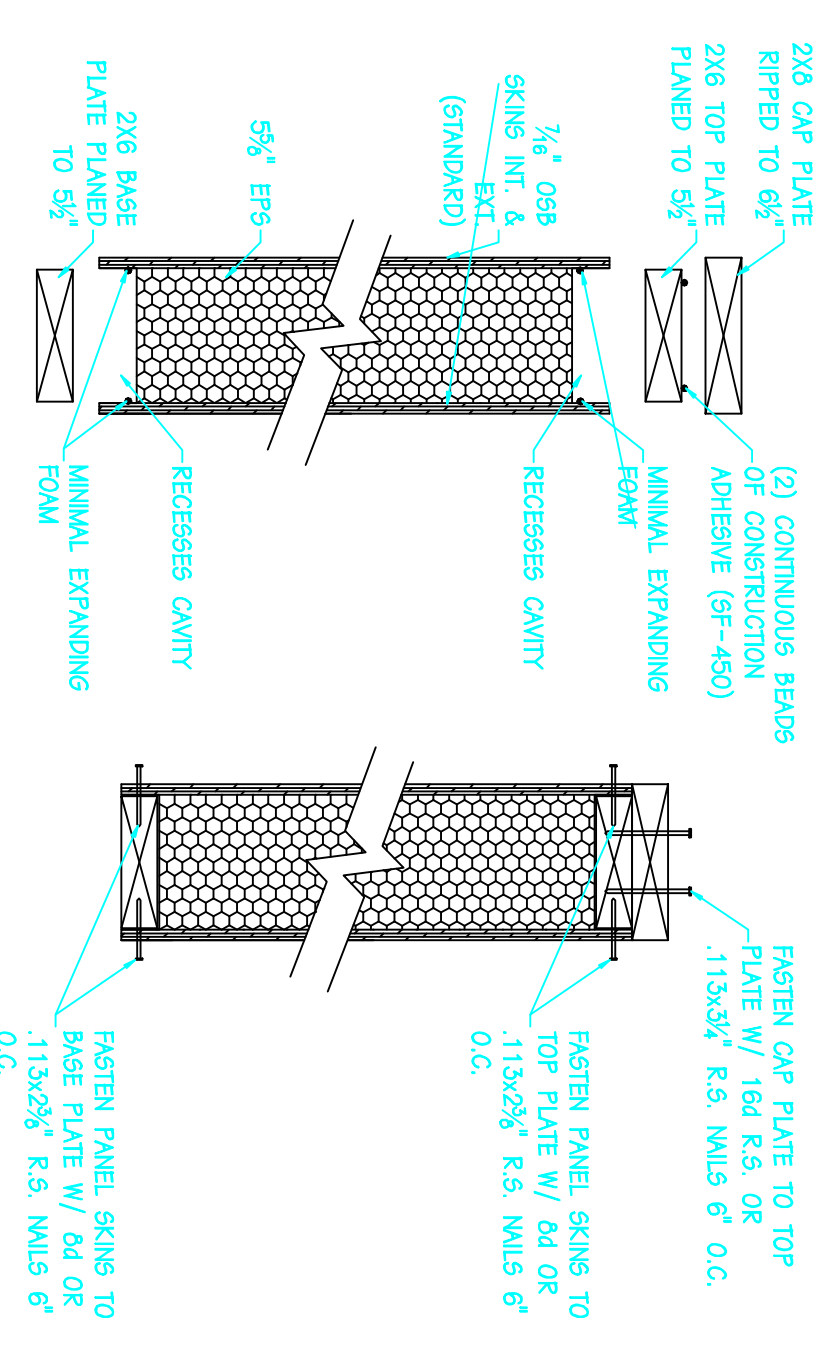
1/C1 - PANEL / PANEL CONNECTION



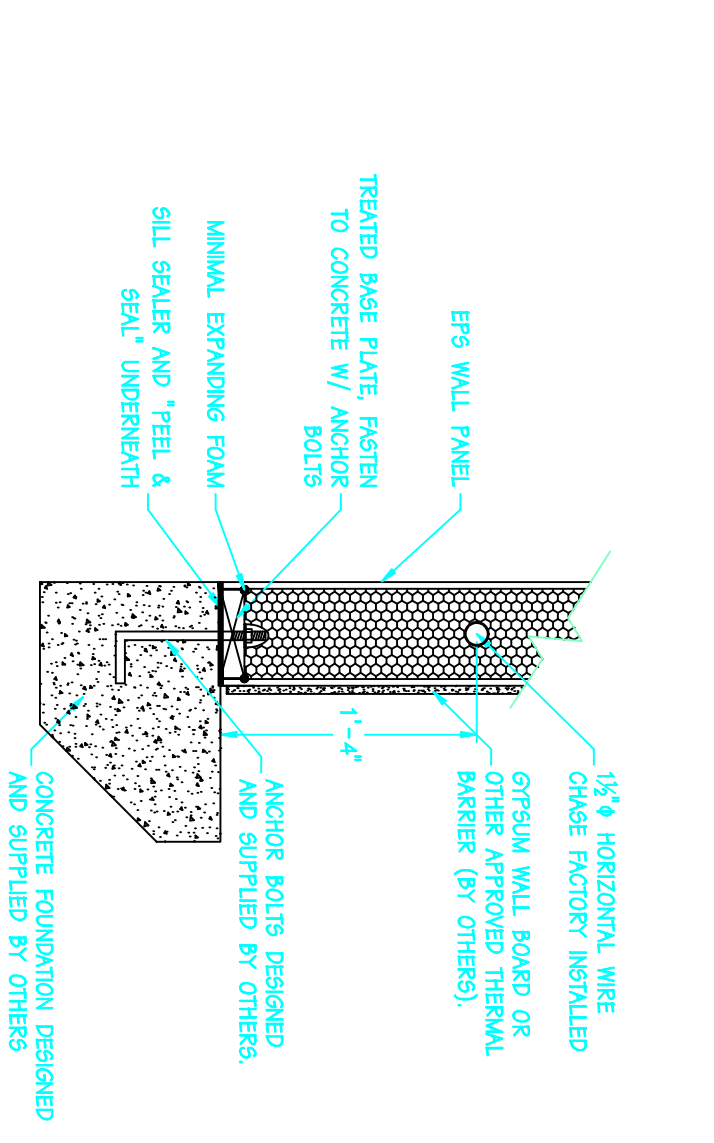
2A/C1 - CORNER CONNECTION



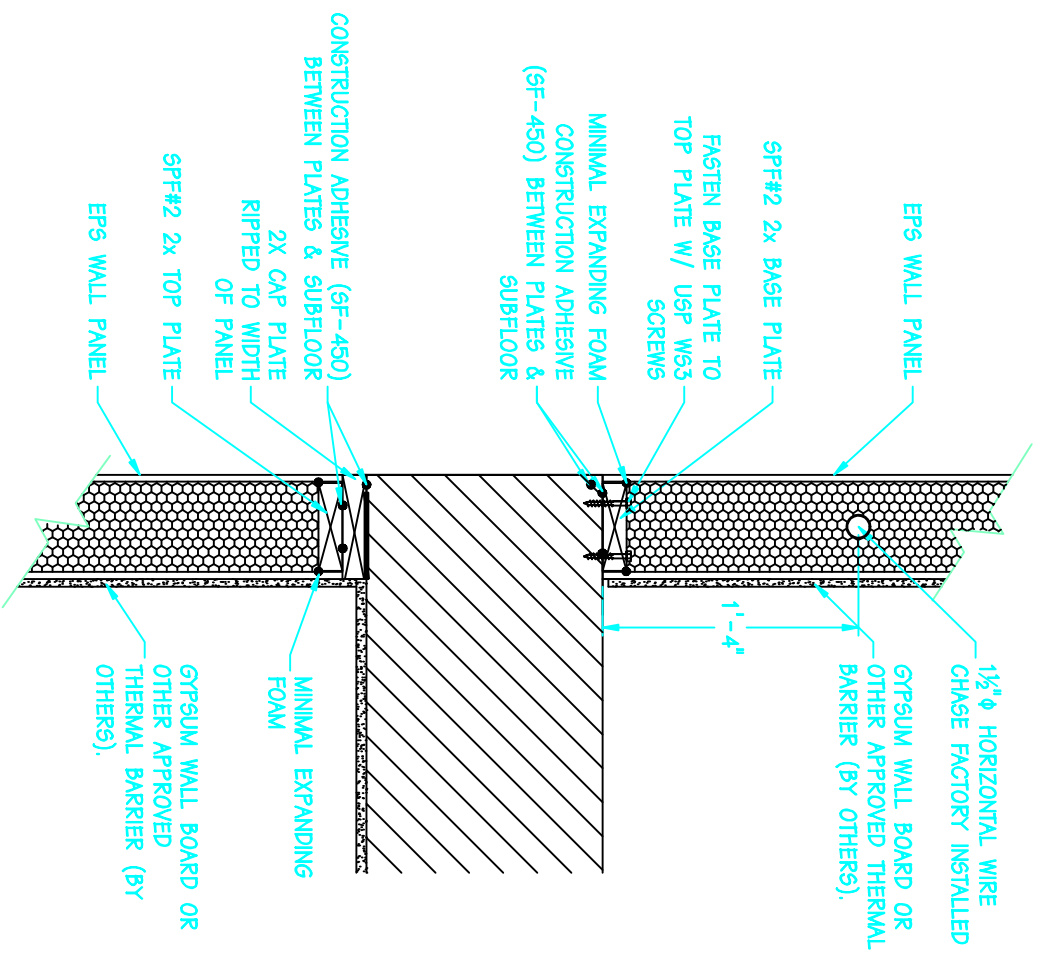
2B/C1 - CORNER CONNECTION



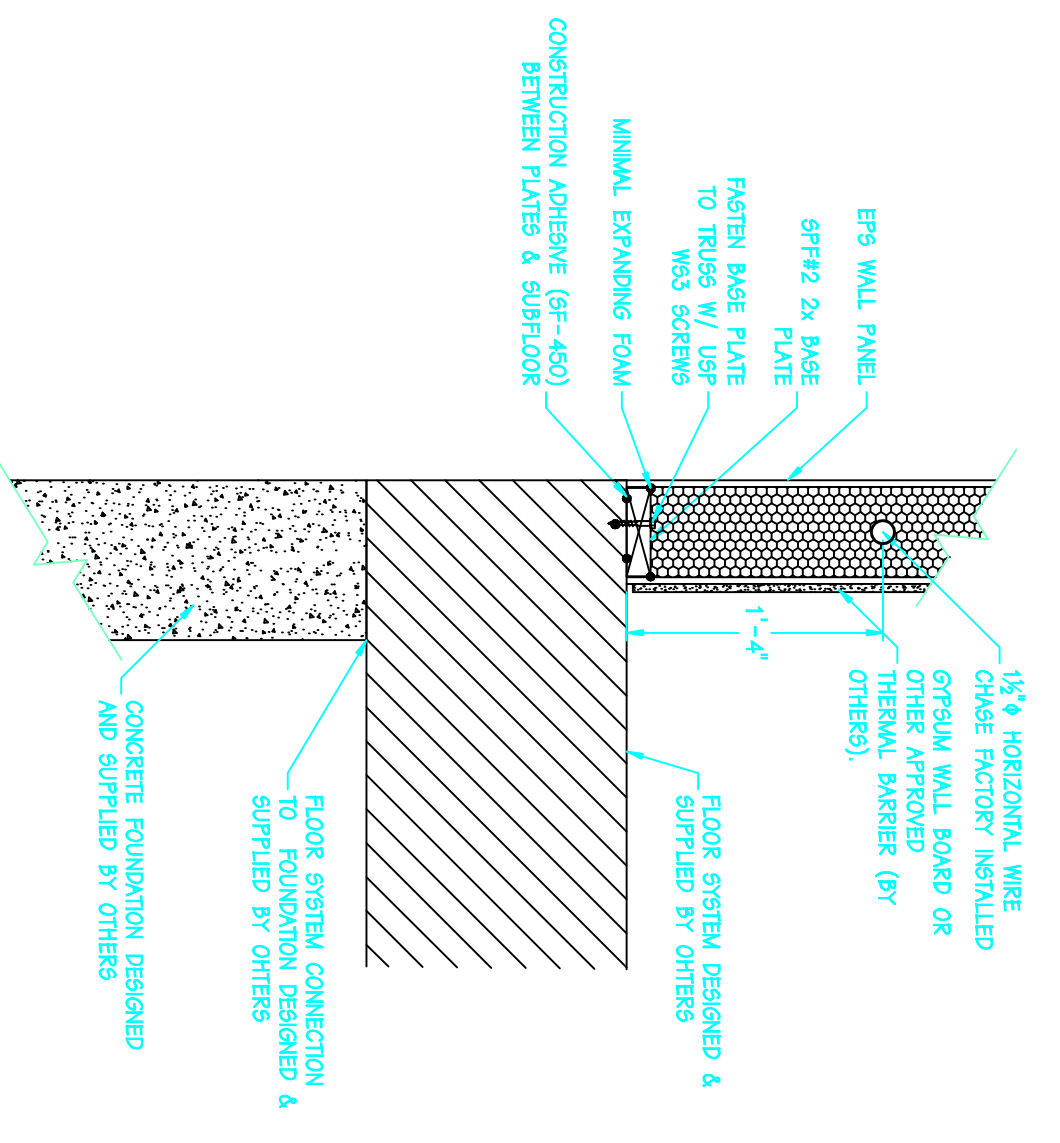
3/C1 - WALL PANEL ASSEMBLY



5/C1 - BASE ON CONCRETE DETAIL



6/C1 - 2ND FLOOR BASE DETAIL



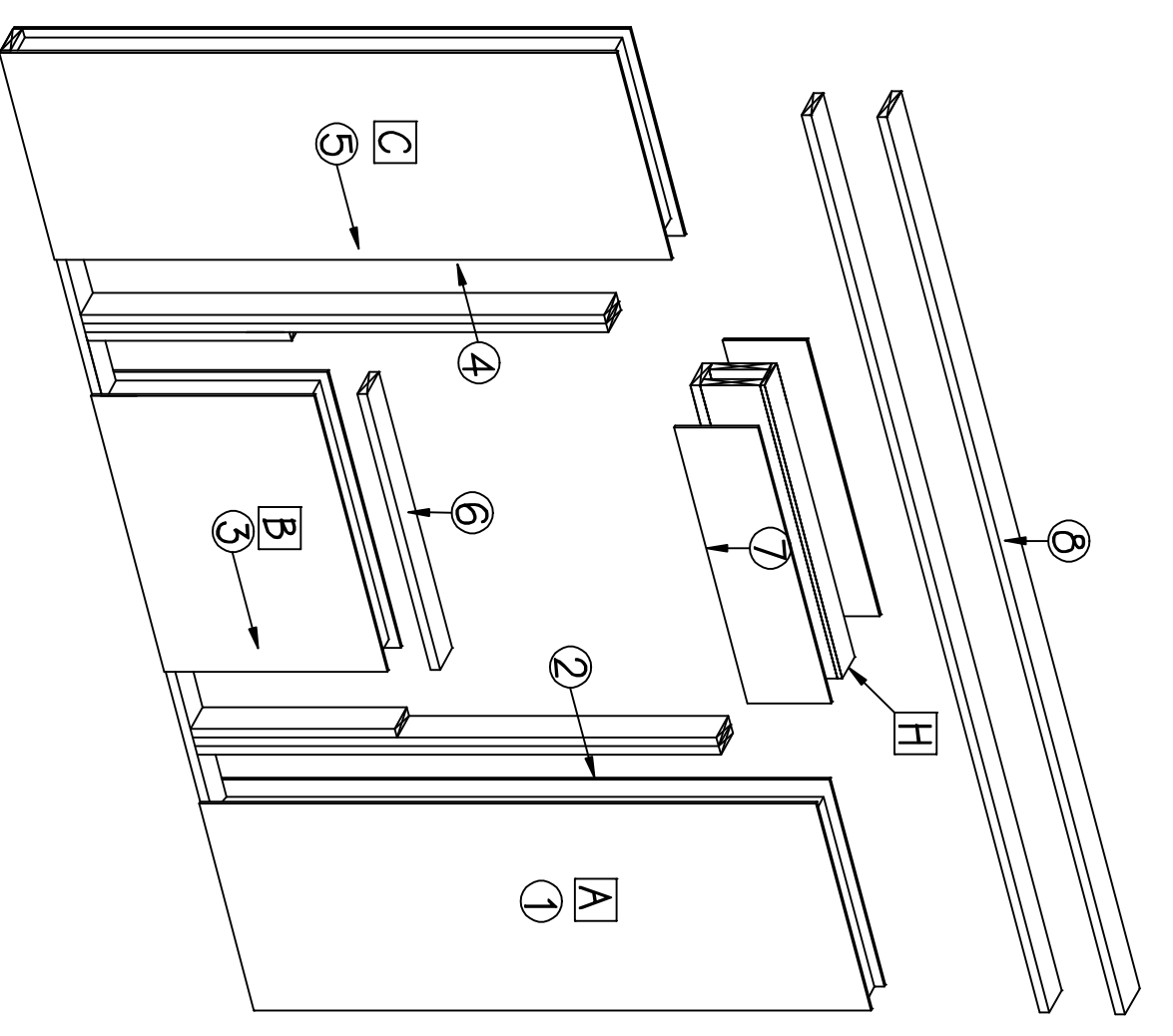
8/C1 - BASE DETAIL

WALL PANEL/FLOOR FASTENING SCHEDULE			
COMMENTS	TYPE OF FASTENER	FREQUENCY	SUPPLIED BY
SILL PLATE TO FOUNDATION	MIN 3/4" ANCHOR BOLT	48" O.C. & 6" FROM ALL BRACKS AND CORNERS	BY OTHERS
PLATES TO STUDS	16d CC SNIKER OR 3X,1.13 R.S.	2 PER STUD	EPS
PLATES TO DOUBLE 2x4 SPLINE	16d CC SNIKER OR 3X,1.13 R.S.	2 PER 2x4	EPS
CAP PLATE TO TOP PLATE	16d CC SNIKER OR 3X,1.13 R.S.	2 ROWS 12" O.C.	EPS
PANELS TO PLATES	8d CC SNIKERS OR 11x20 1/2 R.S. WALS 6" O.C.	6" O.C. INT. & EXT.	EPS
PANELS TO SUBFLOOR	USP W33 SCREWS	(1) ROW 12" O.C. PARALLEL TRUSS (2) SCREWS PER TRUSS	EPS
BASE PLATE TO SILL PLATE	USP W33 SCREW	(2) SCREWS PER FT	EPS
SUBFLOOR TO TRUSS/JOIST	8d R.S. OR 11x20 1/2 R.S. WALS 6" O.C.	4" O.C. EDGES 6" O.C. CENTER	EPS
EPS WALL TO FLOOR TRUSS/JOIST (PANELS PAST)	6" SIP SCREW	16" O.C. TRUSS PARALLEL (1) PER TRUSS PERP.	EPS
RM BOARD TO TRUSS/JOIST	16d CC SNIKER OR 3X,1.13 R.S.	6" O.C. EACH CORO	EPS
TRUSS/JOIST TO SILL	16d R.S. OR 3X,1.13 R.S. AT ANGLE	(2) ROWS 4" O.C. (6) PER TRUSS	EPS
TRUSS TO SILL	USP JOIST HANGER 1/200 WALS	FILL ALL HOLES	TRUSS SUPPLIER

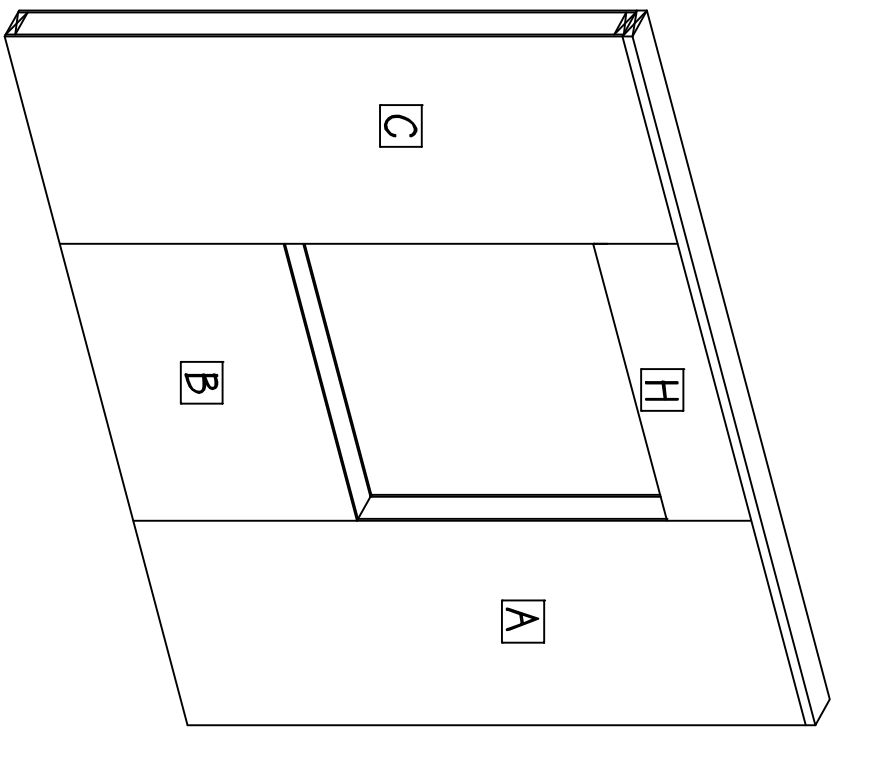
WALL PANEL/FLOOR ADHESIVE SCHEDULE			
COMMENTS	TYPE OF ADHESIVE	FREQUENCY	SUPPLIED BY
RM BOARD TO SILL PLATE	CONSTRUCTION ADHESIVE PL-460	(1) CONTINUOUS BEAD	EPS
FLOOR TRUSS/JOIST TO SILL PLATE	CONSTRUCTION ADHESIVE PL-460	(1) CONTINUOUS BEAD	EPS
SUBFLOOR TO RM BOARD & FLOOR TRUSS/JOIST	CONSTRUCTION ADHESIVE PL-460	(1) CONTINUOUS BEAD	EPS
PANEL TO BASE PLATE	CONSTRUCTION ADHESIVE PL-460	(2) CONTINUOUS BEADS	EPS
PANEL TO SPINES	TOUCH-N-SEAL ALL SEASON GUM FOAM	(2) CONTINUOUS BEADS	EPS
PANEL TO TOP PLATE	TOUCH-N-SEAL ALL SEASON GUM FOAM	(2) CONTINUOUS BEADS	EPS
TOP PLATE TO CAP PLATE	CONSTRUCTION ADHESIVE PL-460	(2) CONTINUOUS BEADS	EPS

7/C1 - FASTENING SCHEDULE

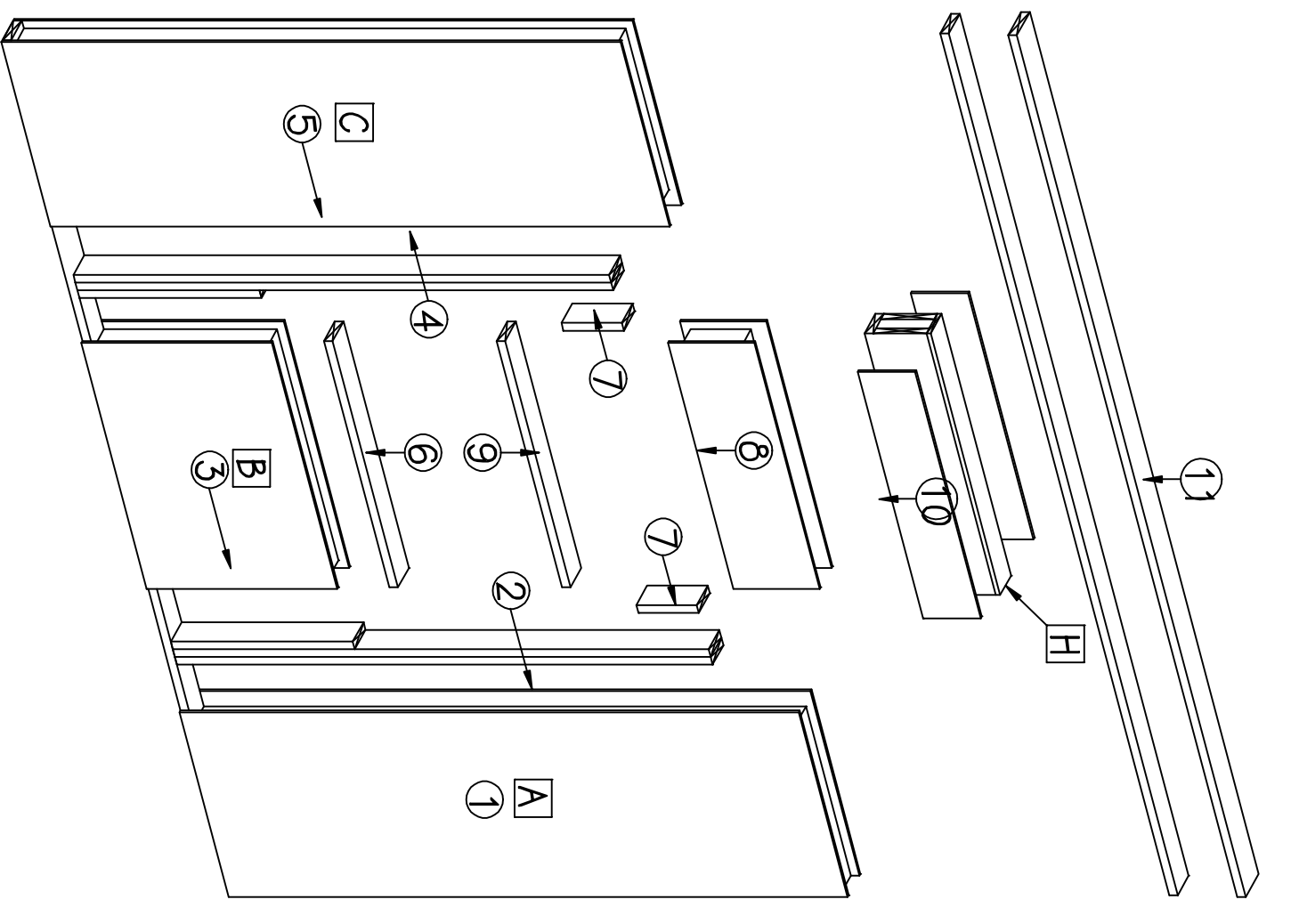
TYPICAL 8'-1 1/8" OPENING FRAMING



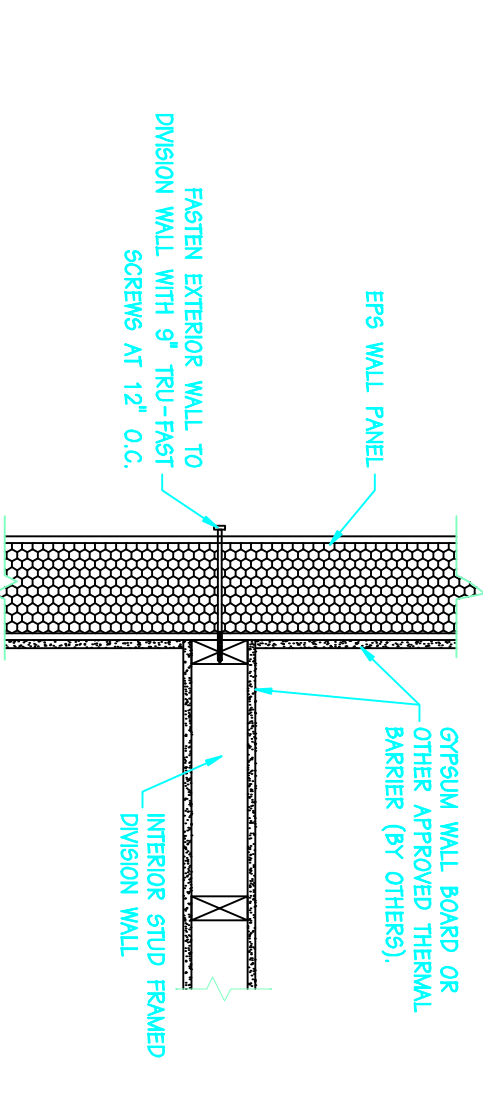
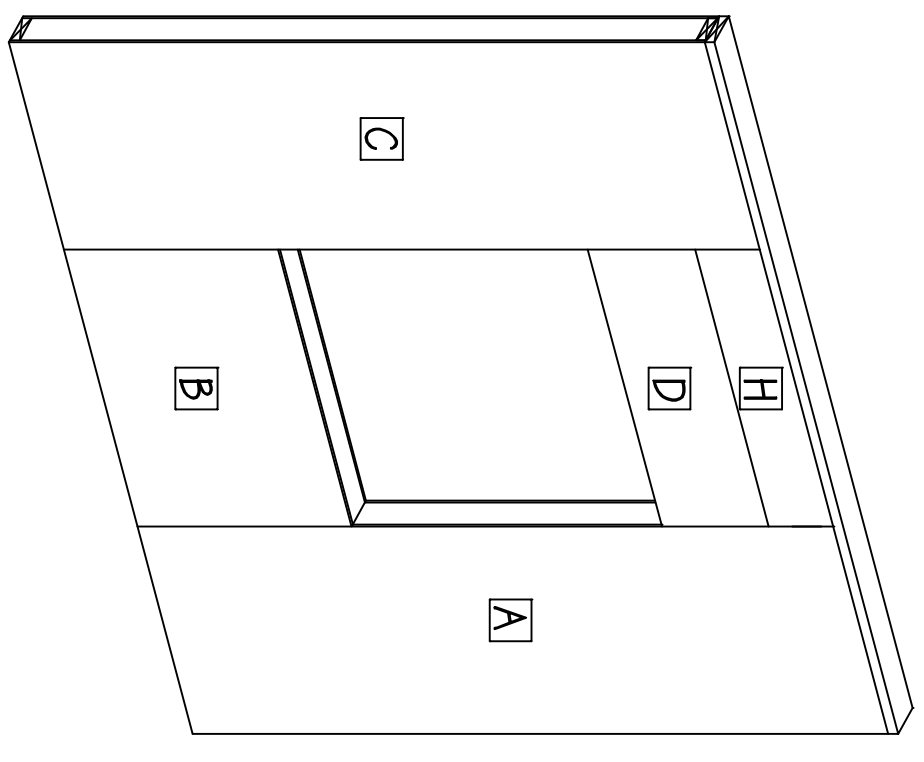
- 1) ERECT PANEL "A"
- 2) PRE-ASSEMBLE FULL BEARING, AND FILLER STUDS, INSTALL INTO PANEL "A"
- 3) SLIDE PANEL "B" INTO PLACE
- 4) PRE-ASSEMBLE FULL BEARING, AND FILLER STUDS, INSTALL INTO PANEL "C"
- 5) SLIDE PANEL "C" INTO PLACE, CHECKING HORIZONTAL R.O. DIMENSION.
- 6) INSTALL LOWER OPENING FRAMING.
- 7) DROP HEADER INTO OPENING. SHEATH WITH LOOSE OSB.
- 8) CONTINUE WITH WALL, INSTALL TOP PLATES



TYPICAL 9'-1 1/8" + OPENING FRAMING



- 1-6) SEE ABOVE
- 7) INSTALL FILLER PANEL BLOCKING
- 8) SLIDE UPPER PANEL INTO PLACE, VERIFY VERTICAL R.O.
- 9) INSTALL UPPER OPENING FRAMING.
- 10) DROP HEADER INTO OPENING. SHEATH WITH LOOSE OSB.
- 11) CONTINUE WITH WALL, INSTALL TOP PLATES



10/C1 - DIVISION WALL / PANEL ATTACHMENT

EPS
AN EMPLOYER-OWNED COMPANY

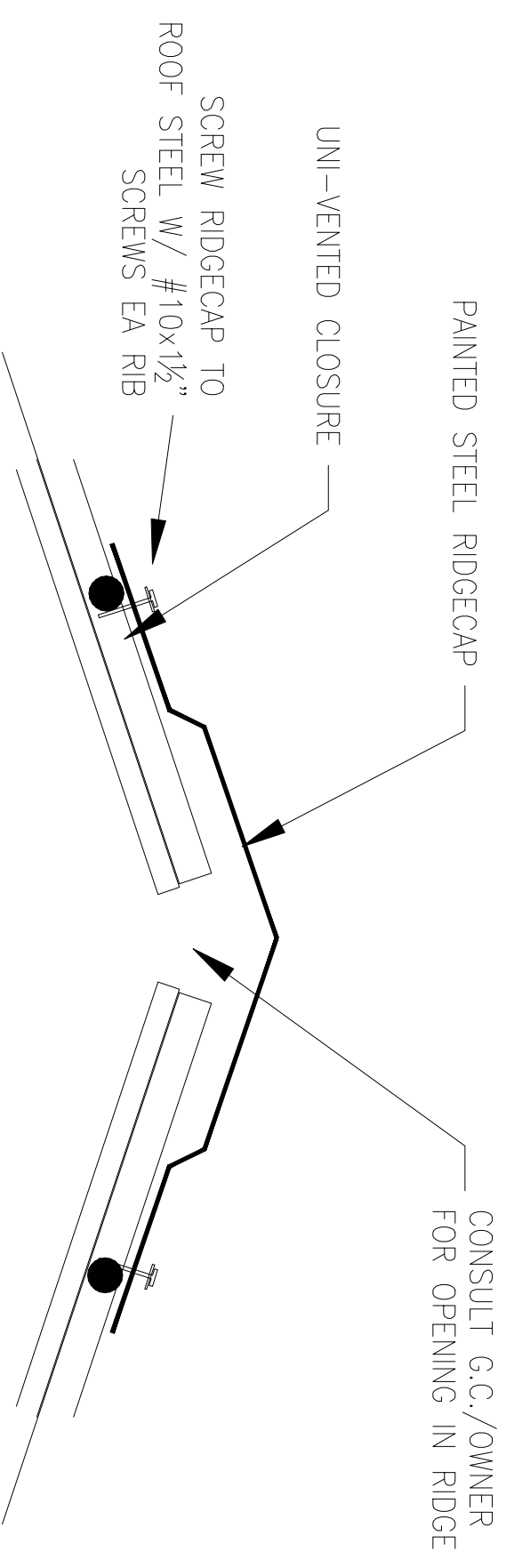
ENERGY PANEL STRUCTURES
1100 EAST FRENCH AVE. SUITE 100
DENVER, CO 80202
PHONE: 724-89-3219 FAX: 724-89-3219
WWW.EPSSTRUCTURES.COM

PARSONS PROPERTIES
SOLID CORE HOUSE PACKAGE

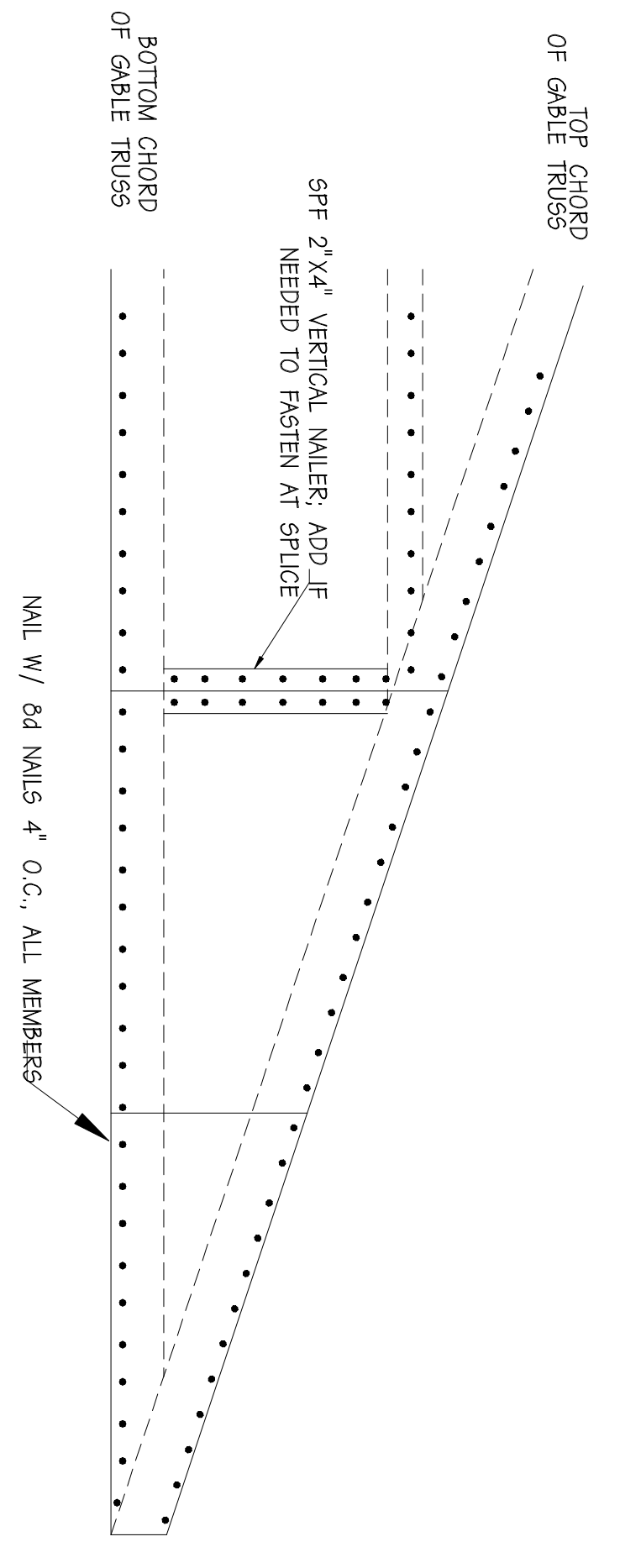
CUSTOM BUILDERS

SCALE: NOTED DATE: 7/1/19
DRAWN BY: MAB REVISION: 0
CHECKED BY: DMM REVISION: 0
DATE: 2019/04/05/165545 REV: 0

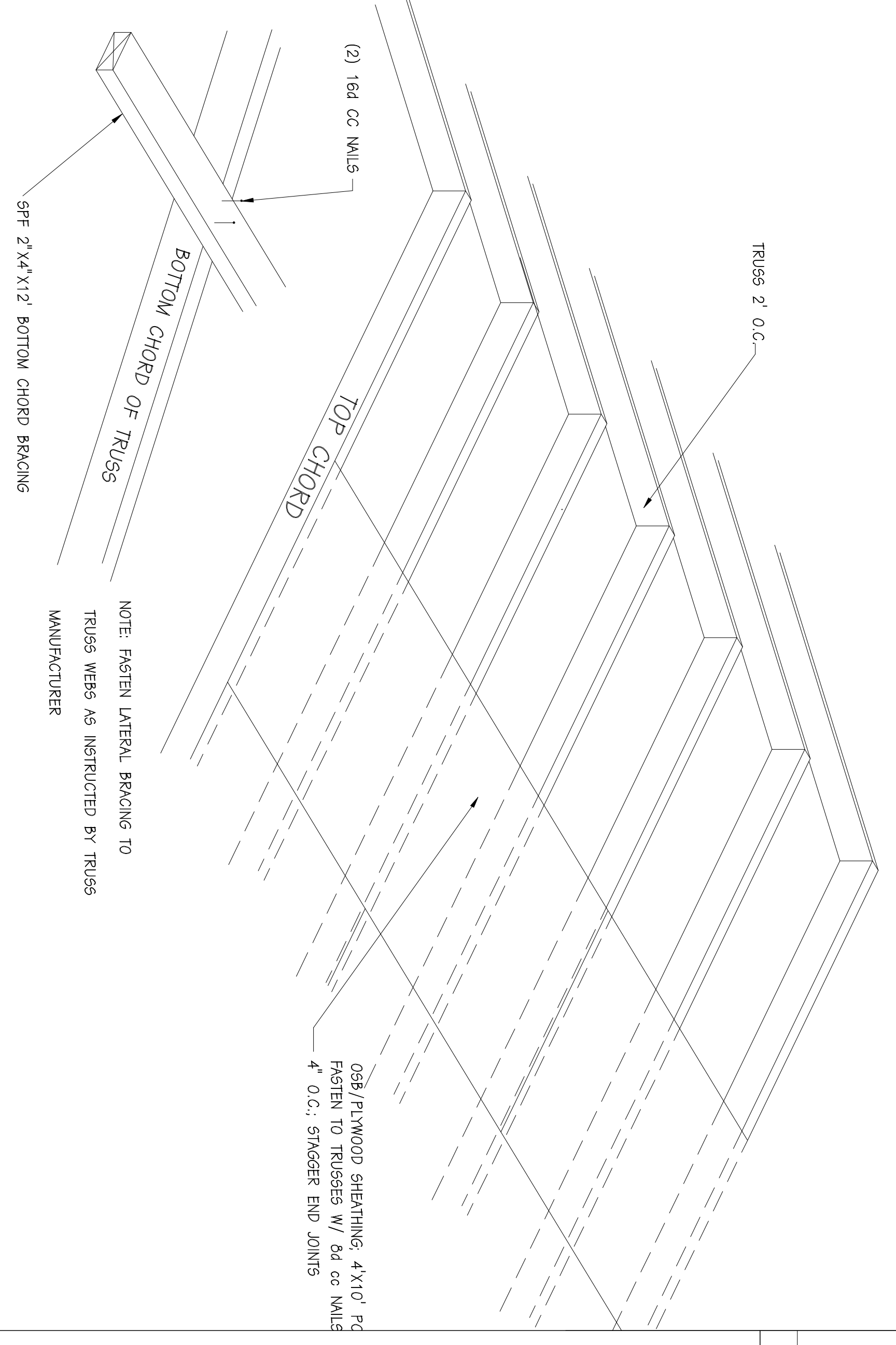
SPRINT
C1



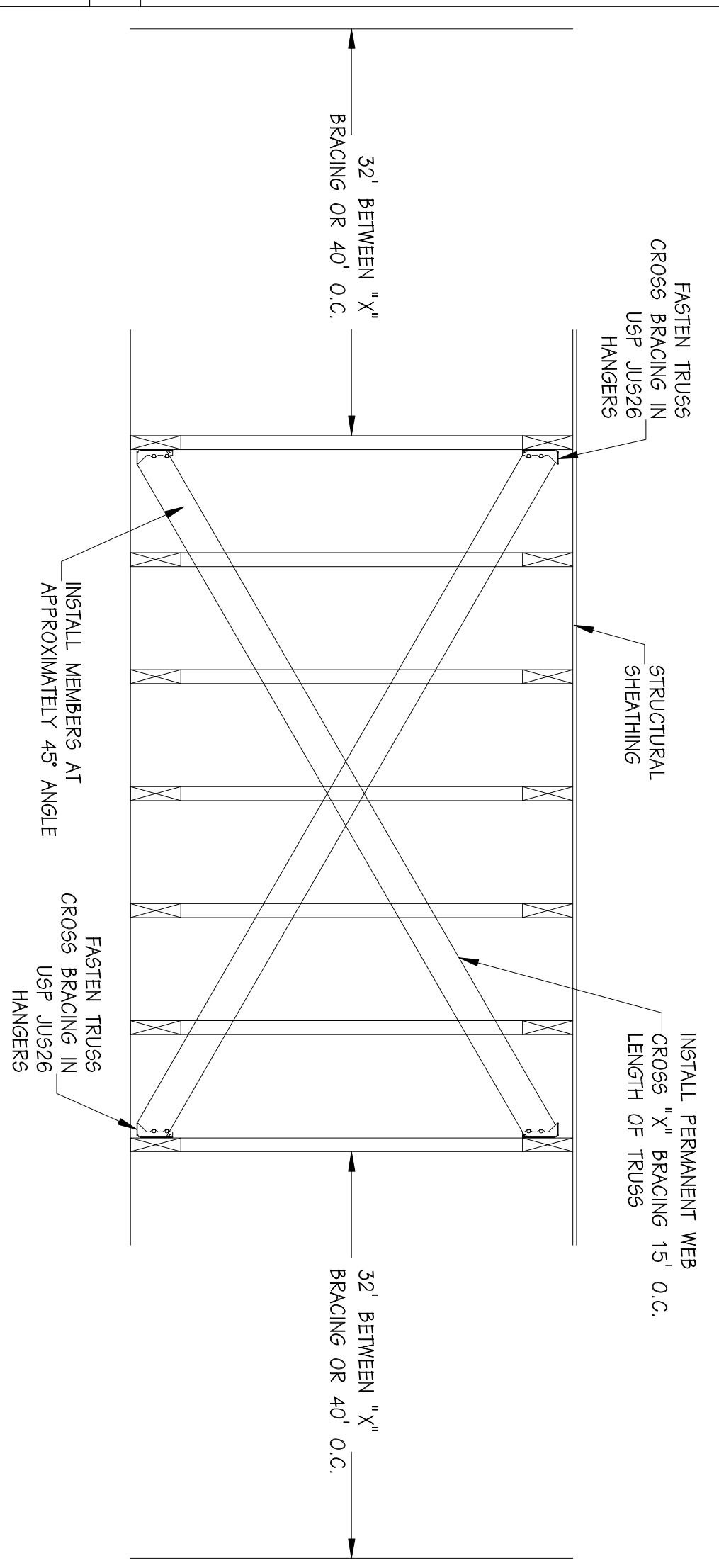
1/C2 - RIDGECAP INSTALLATION



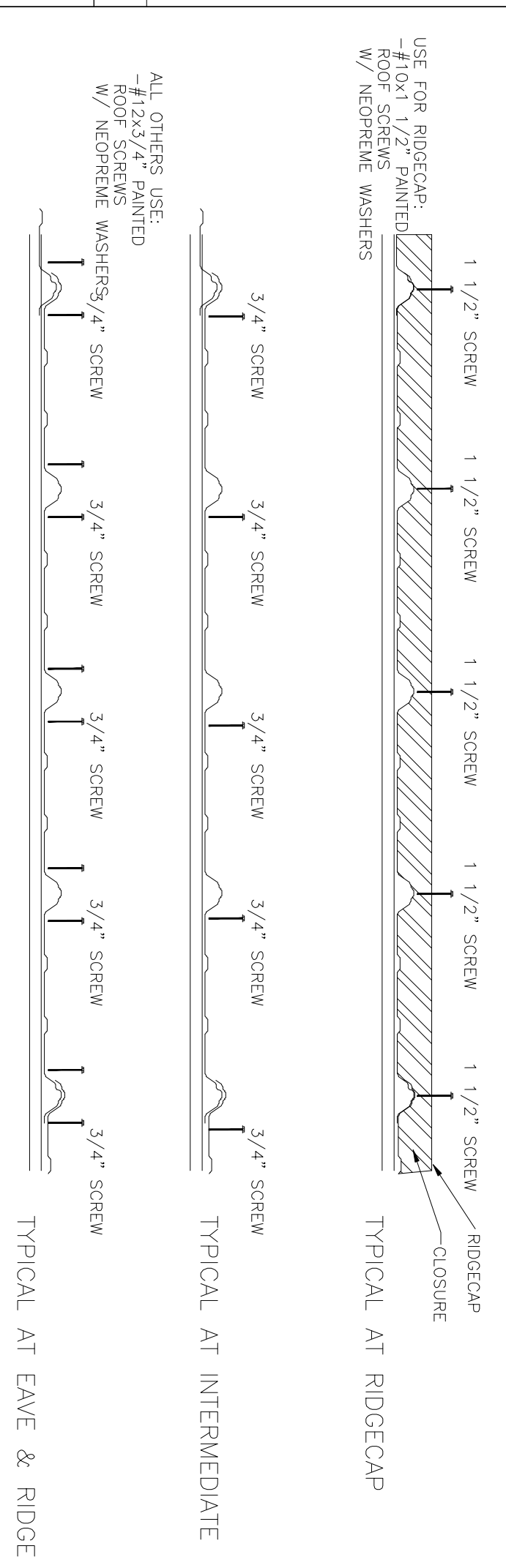
2/C2 - GABLE END SHEATHING FASTENING



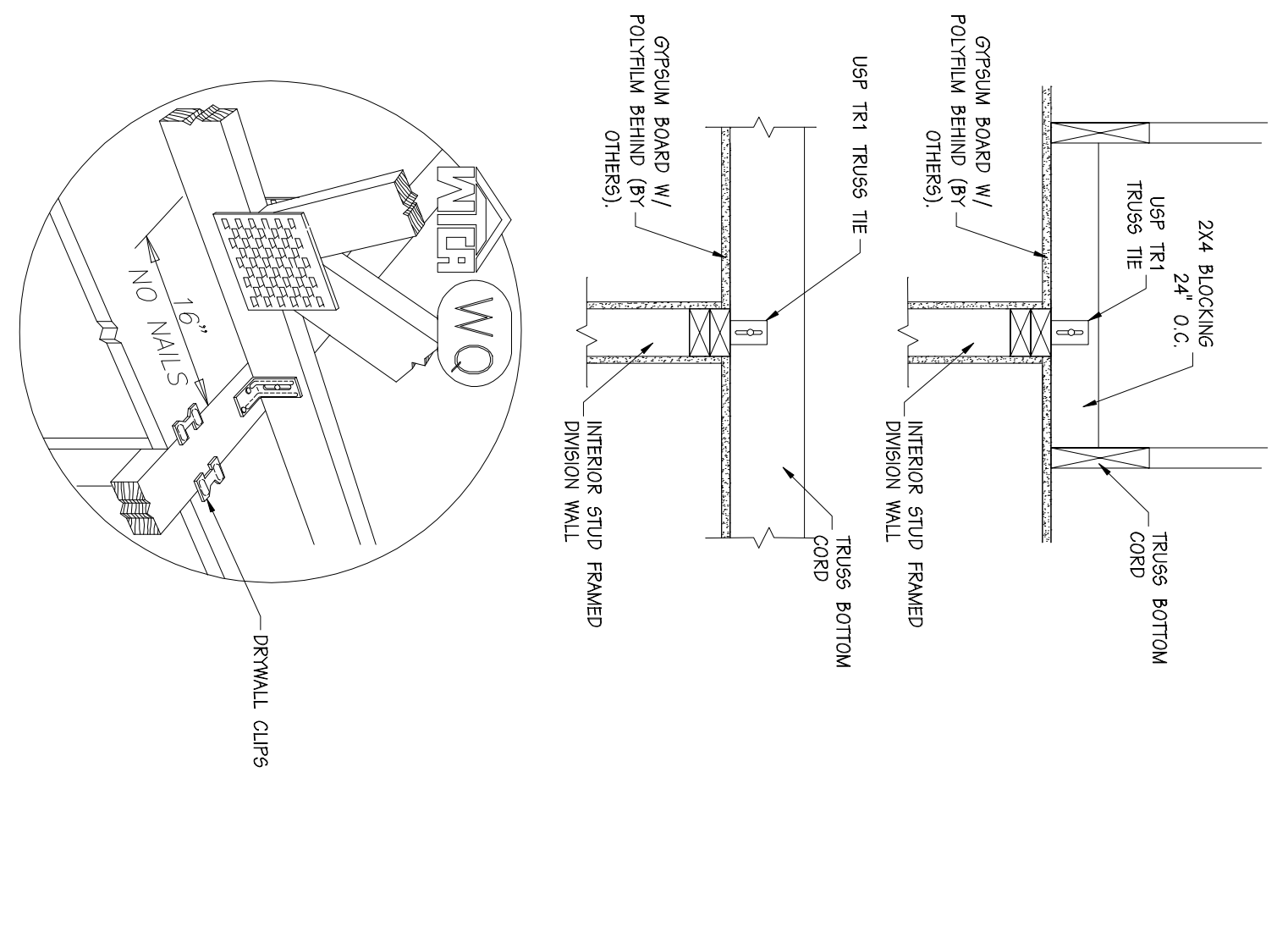
3/C3 - 2' O.C. ROOF TRUSSES ROOF SHEATHING CONNECTION



4/C2 - X-BRACING DETAIL



6/C2 - ROOF STEEL FASTENING



5/C2 - DIVISION WALL / TRUSS CONNECTION

ERS
AN EMPLOYEE-OWNED COMPANY
ENERGY PANEL STRUCTURES
100 EAST THUNDERBOLT PARK
DENVER, COLORADO 80231
PHONE: 728-9-3219 FAX: 728-9-3275
WWW.ERSBUILDINGS.COM

BRENNAN CHAPMAN
RON MADER
SOLID CORE HOUSE PACKAGE

SCALE: NOTED DATE: 6/16/19
DRAWN BY: MAB REVISIONS:
DATE: 2019/04/05/1768772 REV: 0
REV: 0
REV: 0

SHEET: **C2**