

AN EMPLOYEE-OWNED COMPANY

ENERGY PANEL STRUCTURES  
102 EAST INDUSTRIAL PARK  
GRAETTINGER, IA 51342  
PHONE: 712/859-3219  
FAX: 712/859-3275  
WWW.EPSBUILDINGS.COM

DESIGN LOADS

CODE BODY: IBC 2018  
GROUND SNOW LOAD: 20 PSF  
RISK CATEGORY: II  
C<sub>t</sub>: 1.1  
C<sub>e</sub>: 1.0  
I<sub>s</sub>: 1.0  
C<sub>s</sub>: 1.0  
ROOF LIVE LOAD: 20 PSF  
ROOF DEAD LOAD: 10 PSF  
CEILING LIVE LOAD: 0 PSF  
CEILING DEAD LOAD: 10 PSF  
V<sub>ult</sub>: 115 mph  
V<sub>asd</sub>: 89 mph  
EXPOSURE: C  
k<sub>f</sub>: 0.85

SHEET DRAWING INDEX

S0	TITLE SHEET
S1.11	FIRST LEVEL WALL LAYOUT
S1.50	ROOF FRAMING PLAN
S2.0	BUILDING SECTIONS
S4.10	WALL PANEL ELEVATIONS
S4.11	WALL STEEL ELEVATIONS
S4.12	ROOF STEEL ELEVATIONS
S9.0	CONSTRUCTION DETAILS
S9.1	CONSTRUCTION DETAILS
B1	TRUSS INSTALLATION
B2	TRUSS INSTALLATION
B3	TRUSS INSTALLATION
B7	TRUSS INSTALLATION



PROJECT NUMBER:  
2023/HOUSE/IA84080

CUSTOMER SERVICE:  
BRETT D  
DRAWN BY:  
MARK T.  
REVIEWED BY:  
DAVE M.

DATE:  
01-05-23

REVISIONS:  
3-24-23  
6-19-23  
-

Print Date: 6/19/2023

BUILDING COLORS

ROOF METAL	BLACK	WAINSCOT CORNER	NA
GABLES	BRITE WHITE	WAINSCOT CAP	NA
SIDES	BRITE WHITE	CORNER	BLACK
WAINSCOT	NA	EAVE/FASCIA	BLACK
SOFFIT	BLACK	GABLE/RAKE	BLACK
RIDGE CAP	BLACK	DOOR TRIM	BLACK
CUPOLA ROOF	NA	ACCENT PANEL	NA
CUPOLA SIDES	NA	RIDGEVENT	NA
PORCH HEADER	BRITE WHITE	SHUTTERS	NA
PORCH CEILING	BRITE WHITE		

GENERAL INFORMATION

DEALER: CROSS COUNTRY BUILDINGS 1957 SCHNARRE RD FORISTELL, MO PHONE: 314280-6736 FAX: --	OWNER: YAHMAGUCHI CABIN 214 HIDDEN SANCTUARY, RD FLORISTELL, MO	BUILDING TYPE: SOLID CORE	BUILDING DIMENSIONS: 33'X34'X9'-1 1/8" --
	BUILDING USAGE: RESIDENTIAL	AREA: 1122 SQ. FT.	

SEE RED JOBSITE PACKET FOR THE FOLLOWING ADDITIONAL MATERIAL USE GUIDELINES TO ENSURE PROPER INSTALLATION OF THESE ITEMS WHEN APPLICABLE:

- 'BLOCK-IT' HOUSE WRAP
- ACRYLIC THREADED ROD ANCHORAGE
- PLYCO WALKDOORS
- A.J. WINDOWS
- SILVERLINE WINDOWS
- HAYFIELD WINDOWS

THE ATTACHED DRAWING SET REPRESENTS A STRUCTURAL FRAMING PLAN SET. FOR ALL OTHER PRODUCTS THAT ARE ATTACHED IN OR OUTSIDE OF THE STRUCTURAL FRAMING, SEE MANUFACTURER'S WEBSITES FOR COMPLETE INSTALLATION INSTRUCTIONS IF NOT PROVIDED. EXAMPLE ITEMS WOULD INCLUDE, BUT NOT LIMITED TO: WINDOWS, WALK DOORS, SIDING AND SHINGLES.

SITWORK: THE SITE SHALL BE GRADED TO PROVIDE DRAINAGE AWAY FROM THE BUILDING. SLOPE AWAY FROM WALL 1/2" PER FOOT MIN. 6" FROM WALL.

CONCRETE WORK: THE CONCRETE WORK SHALL CONSIST OF ALL NECESSARY POUR-IN-PLACE CONCRETE FOOTINGS (OR FOUNDATION) AS PER BUILDING PLANS DESIGNED BY OTHERS. THE CONCRETE SHALL MEET A MINIMUM COMPRESSIVE STRENGTH OF 3,500 PSI AT 28 DAYS. ALL CONCRETE SHALL BE DESIGNED IN ACCORDANCE WITH THE AMERICAN CONCRETE INSTITUTE BUILDING CODE REQUIREMENTS FOR STRUCTURAL CONCRETE (ACI 318-14) AND COMMENTARY (ACI 318R-14).

WOOD FRAMING: ALL WOOD CONSTRUCTION SHALL BE IN CONFORMANCE WITH THE PROVISIONS OF THE 2018 EDITION OF THE NATIONAL DESIGN SPECIFICATION FOR WOOD CONSTRUCTION. UNLESS NOTED OTHERWISE ALL FRAMING LUMBER SHALL BE SPF#2 GRADE.

TRUSSES: WOOD TRUSSES ARE SHOP/PLANT FABRICATED WITH CONNECTOR PLATES PER SPECIFICATIONS. DESIGN CRITERIA ESTABLISHED BY THE TRUSS PLATE INSTITUTE - (ANSI/TPI 1-2014), REFER TO THE BCSI(BUILDING COMPONENT SAFETY INFORMATION) MANUAL FOR WOOD TRUSS TEMPORARY BRACING REQUIREMENTS.

METAL CONNECTORS: ALL METAL CONNECTORS ARE OF GALVANIZED STEEL AND DESIGN APPROVED TO MEET OR EXCEED REQUIRED STANDARDS.

ROOFING AND SIDING MATERIAL: THE METAL ROOF AND WALLS SHALL BE EPS FULL FORMED PANEL. THE RIBBED DESIGN HAS 1/2" HIGH PRIMARY RIBS 9" O.C. FOR BEAM STRENGTH AND 2 INTERMEDIATE LOW RIBS 3" O.C. FOR ADDITIONAL STIFFENING. THE EPS ROLL FORM PANEL IS MANUFACTURED TO ASTM SPECS. W/ AN 80,000 PSI MIN. YIELD POINT AND AN 82,000 PSI MINIMUM TENSILE STRENGTH. A FOUR-LAYER COLOR-CLAD PROCESS INCLUDES MIN G-60 GALVANIZED ZINC COATING, BONDERIZED COATING, BAKED ON PRIMER COATING, AND A SILICONIZED POLYESTER (WHITE IS POLYESTER ONLY) BAKED-ON PAINT FINISH.

FASTENERS: ALL ROOF AND WALL METAL SHEATHING SHALL BE FASTENED TO THE BUILDING STRUCTURE W/ TRUE-GRIP SCREWS W/ MILL POINT AND HEX HEAD. THE SCREWS SHALL HAVE A EPDM RUBBER WASHER TO ENSURE WEATHER TIGHTNESS.

SHORING AND BRACING: CONTRACTOR SHALL BE RESPONSIBLE FOR ALL TEMPORARY SHORING AND BRACING.

\* THIS SET OF PLANS ARE INTENDED TO BE USED BY CONTRACTORS WITH BUILDING CONSTRUCTION KNOWLEDGE.

\* ENERGY PANEL STRUCTURES CAN NOT BE HELD RESPONSIBLE FOR MISUSE OR MISINTERPRETATION OF INFORMATION INCLUDED IN THESE DRAWINGS, OR THE USE OF THIS SET OF PLANS BY PEOPLE WITHOUT BUILDING CONSTRUCTION KNOWLEDGE.

\* RESPONSIBILITY OF THIS SET OF PLANS IS LIMITED TO THE BUILDING DESIGN SHOWN ON THE DRAWINGS. BUILDING DESIGN IS BASED ON NUMBER, SIZE AND LOCATION OF OPENINGS SHOWN ON THE DRAWINGS. NO RESPONSIBILITY IS ASSUMED FOR ADDITIONAL OPENINGS NOT SHOWN ON THE DRAWINGS OR CHANGES IN THE SIZES OR LOCATION OF OPENINGS.

\* ALL DOOR AND WINDOW OPENINGS SHOWN ON THIS SET OF PLANS ARE THE ACTUAL SIZE OF THE OPENING PROVIDED. IT IS THE GENERAL CONTRACTOR/OWNER'S RESPONSIBILITY TO VERIFY ALL LOCATIONS AND SIZES OF OPENINGS PRIOR TO CONSTRUCTION.

\* IMPORTANT!! THIS BUILDING IS DESIGNED USING THE ROOF AS A DIAPHRAGM (DEEP THIN BEAM) TO TRANSFER SIDEWALL AND ROOF WIND LOADS TO THE SHEAR WALLS SHOWN. STRUCTURAL PANELS ARE AN INTEGRAL PART OF THE BUILDING STRUCTURE AND ANY FUTURE FIELD MODIFICATIONS MADE MAY BE DETRIMENTAL TO THE BUILDING'S STRUCTURAL PERFORMANCE.

\* THIS IS A STRUCTURAL FRAMING DRAWING AND IS TO BE USED FOR THAT PURPOSE ONLY, CODES REGARDING FIRE SAFETY, INTERIOR FINISHES, PERSONAL SAFETY & INJURY ARE NOT ADDRESSED IN THIS DRAWING AND ARE THE RESPONSIBILITY OF THE OWNER.

\* THE ATTIC OF THIS STRUCTURE MUST BE PROPERLY VENTILATED. CONSULT AN HVAC ENGINEER FOR PROPER SIZING OF EAVE INLETS, RIDGE OPENINGS, END WALL LOUVERS, OR MECHANICAL SYSTEMS. FAILURE TO PROPERLY VENTILATE THE ATTIC MAY CAUSE PARTITION TO SEPARATE AT ROOF/CEILING, CONDENSATION ON ROOF MATERIALS, LARGER AIR CONDITIONING LOAD, MOLD OR MILDEW, CORROSION OF TRUSS PLATES, PREMATURE DEGRADATION OF STRUCTURAL BUILDING COMPONENTS.

\* SIP PANEL WALL CONSTRUCTION BUILDINGS ARE DESIGNED FOR MINIMAL AIR INFILTRATION. IT IS RECOMMENDED THAT GENERAL CONTRACTOR/OWNER WORKS IN CONJUNCTION WITH AN HVAC PROFESSIONAL TO DESIGN A SYSTEM TO INSURE AIR QUALITY AND MOISTURE CONTROL. AIR TO AIR EXCHANGERS ARE RECOMMENDED IN SUCH TYPE STRUCTURES.

\* THE CEILING SYSTEM PROVIDED HAS NOT BEEN DESIGNED FOR HUMAN TRAFFIC. CONTRACTORS - IT IS YOUR RESPONSIBILITY TO WARN OTHER TRADES.

\* EPS WALLS ARE NOT DESIGNED FOR LATERAL LOADS IMPOSED BY CONCRETE FOUNDATION WALLS. CONCRETE WALLS TO BE DESIGNED TO ABSORB ALL LOADS IMPOSED BY EPS STRUCTURE AND 100% OF ALL MATERIAL(BACKFILL,ETC) (IF ANY) STORED AGAINST THEM. CONCRETE WALL TO IMPOSE NO HORIZONTAL LOAD TO EPS STRUCTURE.

\* ALL PANELS SHALL BE STORED IN A PROTECTED AREA AND SUPPORTED EVERY 4' TO PREVENT DEFORMATION AND CONTACT WITH THE GROUND. DO NOT USE BLACK OR DARK COLORED TARP. AFTER INSTALLATION, ALL PANELS SHALL BE COVERED TO PREVENT CONTACT WITH WATER ON ALL EXPOSED PANEL EDGES.

\* IMPORTANT!! IF METAL IS NOT TO BE USED IMMEDIATELY, STORE IN A DRY AREA. MOISTURE FROM RAIN OR CONDENSATION TRAPPED BETWEEN SHEETS MAY CAUSE 'WATER STAINS'. IF MATERIAL MUST BE STORED OUTSIDE, PROTECT WITH CANVAS OR WATERPROOF PAPER. IF PLASTIC IS USED, DO NOT COVER AIR TIGHT. SHOULD PANELS BECOME WET, SEPARATE THEM BY PUTTING DIVIDERS BETWEEN EACH SHEET AND ELEVATE ONE END 8" OR STAND SHEETS ON END AGAINST A WALL AND FAN THEM OUT TO ALLOW AIR CIRCULATION. AVOID STORING NEAR ALKALINE METALS SUCH AS FERTILIZER, CEMENT, LIME, SALT, ETC. THESE INSTRUCTIONS APPLY TO ALUMINUM OR STEEL WHETHER PAINTED OR UNPAINTED.

\* TO MINIMIZE THE POSSIBILITY OF FASTENER POPPING AND CRACKING IN AREAS ADJACENT TO A WALL AND CEILING INTERSECTION, A FLOATING GYPSUM CORNER ANGLE METHOD OF APPLICATION SHOULD BE USED. PLEASE REFER TO THE GYPSUM ASSOCIATION'S SPECIFICATIONS FOR THE APPLICATION AND FINISHING OF GYPSUM PANEL PRODUCTS.

\* THERE MAY BE SOME 'BOWING' OF EXTERIOR STRUCTURAL INSULATED PANELS DUE TO A TEMPERATURE AND MOISTURE DIFFERENTIAL BETWEEN INTERIOR AND EXTERIOR OSB SKINS. WHEN THE EXTERIOR SKIN EXPERIENCES COLD TEMPERATURE, ITS MOISTURE CONTENT RISES, WHICH CAUSES THE EXTERIOR SKIN TO EXPAND. THIS MAY CAUSE THE PANEL TO BOW OUT. TO MINIMIZE THE EFFECT, YOU MAY WANT TO CONSIDER:

- HIDE THE 'BOW' BY USING FLOATING CORNERS ON THE INTERIOR GYPSUM BOARD.
- MECHANICALLY FASTENING ONE STRUCTURAL INSULATED PANEL TO THE CROSS WALLS, THE CROSS WALL WILL HAVE TO BE DESIGNED TO RESIST FORCES OF THE BOW, AS WILL THE MECHANICAL FASTENERS.

NOTE: WHEN APPLYING ICE & WATER OR 'PEEL & SEAL' FOLLOW THE FOLLOWING INSTRUCTIONS TO PREVENT AIR INFILTRATION

- BE SURE TEMPERATURE OF MATERIALS AND AMBIENT TEMPERATURE ARE BOTH ABOVE 50° F.
- THOROUGHLY CLEAN SURFACES.
- APPLY ACETONE(BY OTHERS) TO METAL SURFACE TO CLEAN.
- ALLOW ACETONE TO FLASH OFF.
- APPLY 'PEEL & SEAL' OR ICE & WATER, BE SURE TO APPLY PRESSURE THROUGH OUT MATERIAL TO ENSURE 100% CONTACT.

INTERIOR FINISH MUST BE COVERED WITH A MINIMUM OF 1/2" GYPSUM WALLBOARD OR EQUIVALENT TO PROVIDE AN ADEQUATE THERMAL BARRIER

THESE CONTRACT DOCUMENTS/DRAWINGS ARE THE PROPERTY OF ENERGY PANEL STRUCTURES AND ARE INTENDED FOR THE EXPRESS USE FOR CONSTRUCTION OF THIS PROJECT BY AN ENERGY PANEL STRUCTURES' AUTHORIZED INDEPENDENT DEALER. THESE DOCUMENTS SHALL NOT BE USED FOR ANY OTHER CONSTRUCTION PROJECT, OR BY ANY OTHER ENTITY WITHOUT THE EXPRESS WRITTEN CONSENT OF ENERGY PANEL STRUCTURES. IN THE EVENT THAT ANY OF THE DESIGN DRAWINGS OR SPECIFICATIONS ARE REUSED OR MODIFIED WITHOUT THE EXPRESS WRITTEN AUTHORIZATION OF ENERGY PANEL STRUCTURES, THEN ENERGY PANEL STRUCTURES WILL NOT BE LIABLE FOR SUCH REUSE OR MODIFICATION, AND IT WILL BE SUBJECT OF THE PERSON OR ENTITY TO CLAIM FOR A COPYRIGHT INFRINGEMENT, COSTS, DAMAGES, AND ATTORNEY FEES.

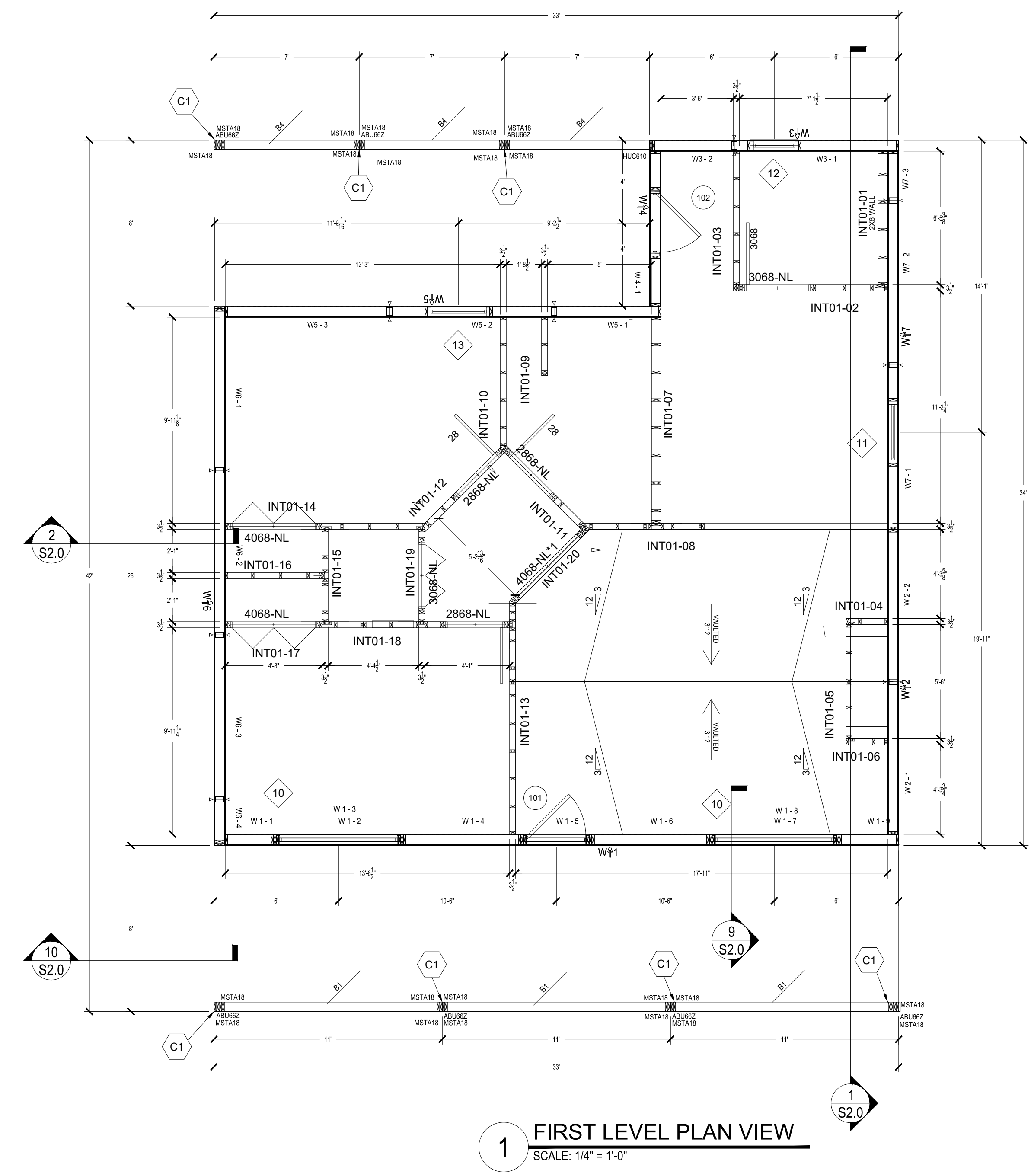
DEALER:  
CROSS COUNTRY BUILDINGS  
PROJECT TITLE:  
YAHMAGUCHI CABIN  
SOLID CORE BUILDING PACKAGE

SHEET TITLE:  
TITLE SHEET

PROJECT STATUS:

SHEET:

S0



BEAM/JOIST SCHEDULE							
Quantity	Member Tag Number	Member Type	Beam Condition	Beam Cut Length	T.O. Mem. Elev.	T.O. Mem. Measured From	Notes
3	B1	2 PLY SYP MSR 2400-2.0E 2x10 BOX HEADER	Dropped	CUT FROM 12' PCS.	9'-1 1/8"	F.F.	--
3	B4	2 PLY SYP MSR 2400-2.0E 2x10 BOX HEADER	Dropped	CUT FROM 16' PCS.	9'-1 1/8"	F.F.	--

WINDOW SCHEDULE							
Number	Quantity	Rough Width	Rough Height	Head Height	Header	Bearing Studs (Each Side)	Full Studs (Each Side)
10	2	6'-0"	5'-0"	6'-10 1/2"	(2) PLY 2x10 SYP MSR2400	1	1
11	1	3'-0"	3'-0"	6'-10 1/2"	SIP HEADER (WRAP OPENING IN 2x MATERIAL)	0	0
12	1	2'-4"	4'-0"	6'-10 1/2"	SIP HEADER (WRAP OPENING IN 2x MATERIAL)	0	0
13	1	3'-0"	5'-0"	6'-10 1/2"	SIP HEADER (WRAP OPENING IN 2x MATERIAL)	0	0

DOOR OPENING SCHEDULE							
Number	Quantity	Rough Width	Rough Height	Head Height	Header	Bearing Studs (Each Side)	Full Studs (Each Side)
101	1	3'-2"	6'-10 1/2"	6'-10 1/2"	(2) PLY 2x10 SYP MSR2400	1	1
102	1	3'-2"	6'-10 1/2"	6'-10 1/2"	SIP HEADER (WRAP OPENING IN 2x MATERIAL)	0	0

IA84080 CROSS COUNTRY-YAMAGUCHI									
COLUMN TAG	COLUMN TYPE	GLUED	Note	Quantity	QTY/SHIP	QTY/SHIP	BASE DETAIL	TOP DETAIL	
C1	584492 - ALL TRT, 4 PLY 2x6x10', SP#1 TRT SIL-BOR BORATE,, NO SPUCE	NO	NO NAILS TOP 2'-0"	7			ABU66Z	7/S2.0	

HANGER SCHEDULE			
Quantity	Product Description	Fasteners To Header	Fasteners To Joist
22	SIMPSON MSTA18	(14) 10d	--
7	SIMPSON ABU66Z	(12) 16d POST	--
1	SIMPSON HUC610	(18) 16d	(8) 16d

DEALER:  
**CROSS COUNTRY BUILDINGS**

PROJECT TITLE:  
**YAHMAGUCHI CABIN  
 SOLID CORE BUILDING PACKAGE**

SHEET TITLE:  
**FIRST LEVEL  
 WALL LAYOUT**

PROJECT STATUS:  
**FINAL  
 DRAWINGS**

SHEET:  
**S1.11**

**GENERAL LAYOUT NOTES:**

- Complete truss engineering and analysis can be found on the Truss Design Drawings which may be sealed by the Truss Design Engineer as applicable. The trusses identified are designed as individual building components to be incorporated into the building to support the loads specified on the individual truss drawings. The Contractor/owner is to verify that no other load, from the overall building system, is imposed on these trusses.
- Any discrepancies between the dimensions and conditions specified on this layout versus the approved for construction prints should be reported prior to truss fabrication.
- Never exceed the design loading shown and never stack materials on inadequately braced trusses.
- Do NOT cut or alter truss location without prior approval of Energy Panel Structures. All connections must be made in such a way as to prevent splitting. Pre-drill if necessary.
- For valley trusses, the roof under the valley trusses shall be sheathed. Conventionally framed valleys shall transfer load uniformly to the trusses below.
- Design assumes trusses will be suitably protected from the environment in accord with ANSI/TPI 2014.
- Truss to wall connection specified for each truss, satisfies uplift requirements only. Truss uplift requirements are shown on the individual truss drawings. For all unspecified truss to truss or truss to wall connections, use 3-16d (0.131"x3.5") Toe-nailed.
- The required permanent bracing for the truss top chord, bottom chord, and webs are specified on the individual truss drawing. T-bracing is to be used for webs when lateral bracing is impractical. Additional bracing may be required for overall building stability. See EPS drawings for requirements.
- For general guidance regarding bracing consult "BCSI Guide to good practice for handling, installing, and bracing of metal plate connected wood trusses" available from the Truss Plate Institute, 218 North Lee St., Ste. 312, Alexandria, VA 22314 - (703) 683-1010 - www.tpin.org
- See individual truss profiles for all multiply truss fastening specifications.

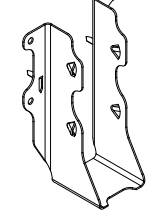
**GENERAL SAFETY NOTES:**

- Failure to follow all notes could cause property damage or personal injury!
- Until the building is completely erected in accordance with the construction documents, the trusses are unstable and may present a safety hazard. Truss instability may increase with building width, height, and length.
- Buildings under construction are vulnerable to high winds and present a safety hazard. It is the responsibility of the contractor and truss installation crew to brace components adequately.
- Review all information provided in the JOBSITE PACKAGE to ensure compliance with industry recommendations.

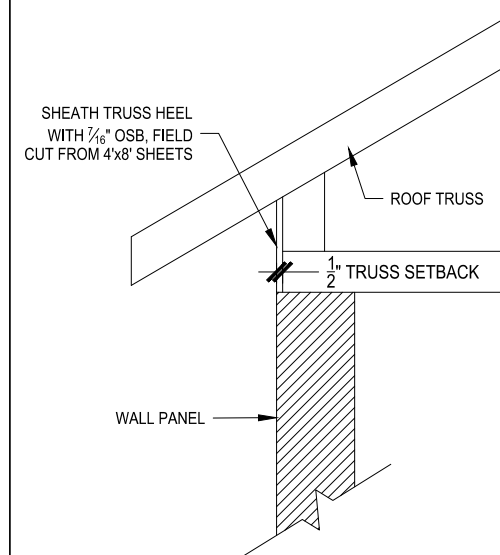
**ROOF SYSTEM INFORMATION**  
 HEEL: 12"  
 O.C. SPACING: 24"  
 OVERHANG: 12"  
 PITCH: 6/12 U.N.O  
 CEILING HEIGHT: 9'-11 1/2" U.N.O  
 ROOF SHEATHING: 5/8" OSB

**LUS26**

Fasteners:  
 Supporting Members: (4) 10d Common @ 45° Nails  
 Supported Members: (4) 10d x 1-1/2" @ 90° Nails, per member



Simpson Strong-Tie  
 www.simpsonstrongtie.com  
 800.999.2099

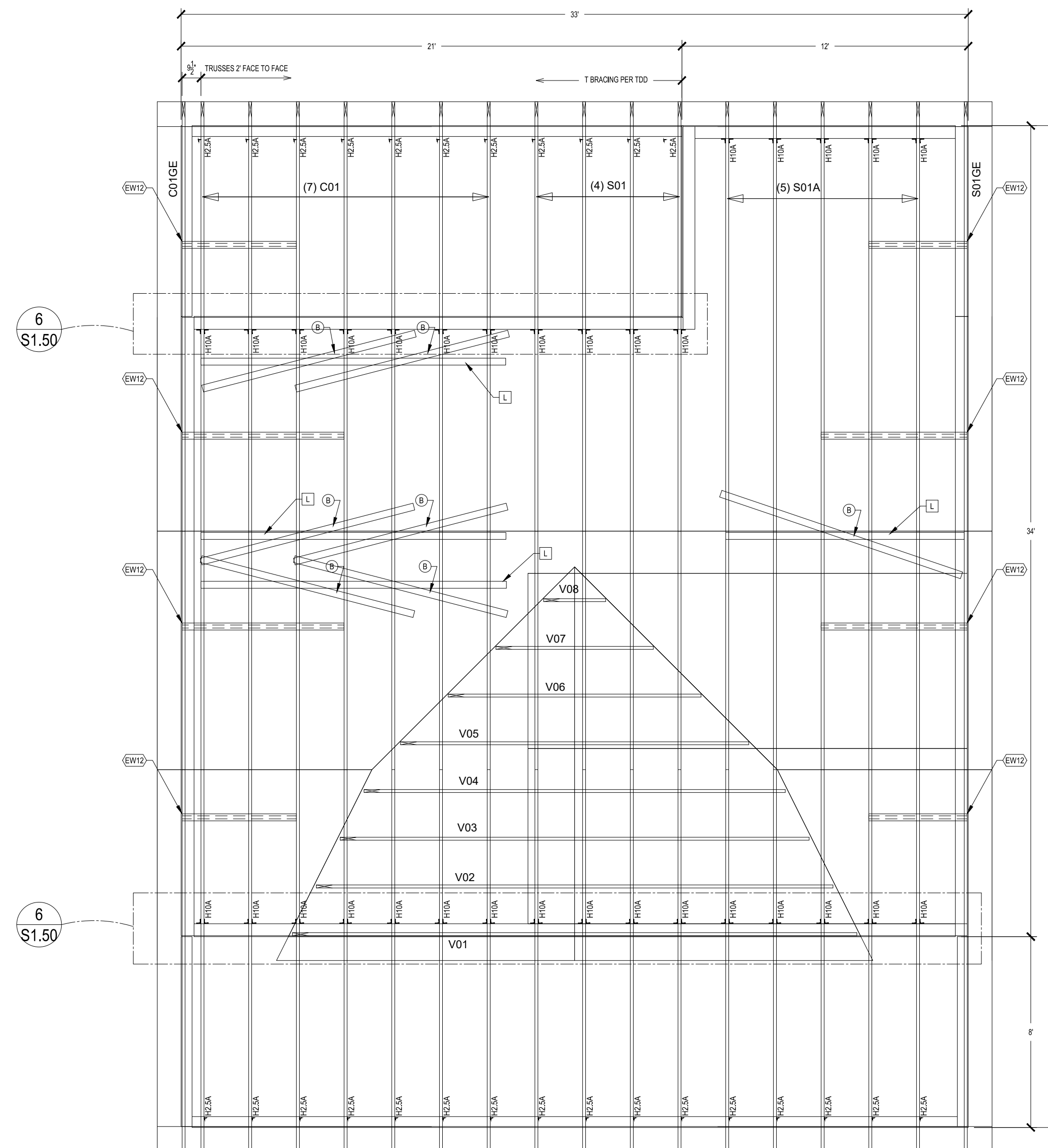


**STD. TRUSS SET BACK**

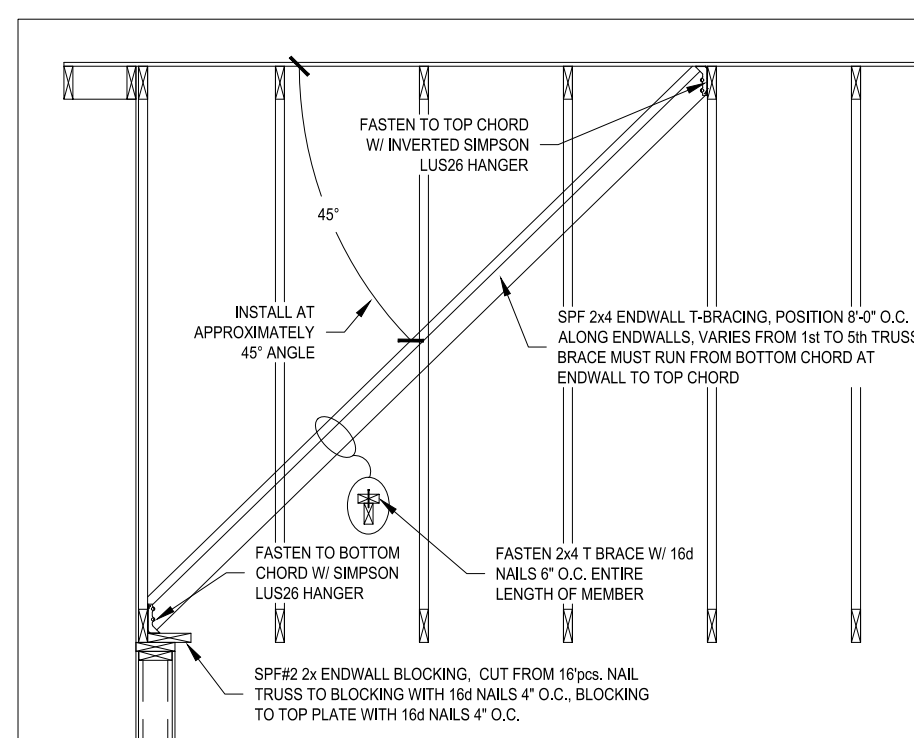
ALL TRUSS DIMENSIONS ARE TO FACE OF TRUSS UNLESS NOTED OTHERWISE

THE BELOW TABLE SPECIFIES THE PERMANENT ROOF TRUSS WEB BRACING FOR THIS ROOF SYSTEM. USE IN CONJUNCTION WITH INDIVIDUAL TRUSS DESIGN DRAWINGS AND THE BCSD MANUAL.	
	DIAGONAL BRACE, (1) SPPF #2 2x4x12 MATERIAL @ 20' O.C. ENTIRE LENGTH OF BUILDING. SEE 4:51.50
	CONTINUOUS LATERAL BRACE SPPF #2 2x4x12 ENTIRE LENGTH OF BUILDING. SEE S1.50
	SPPF#2 2x4x12 ENDWALL "T" BRACING @ 8' O.C. SEE DETAIL 3:91.50

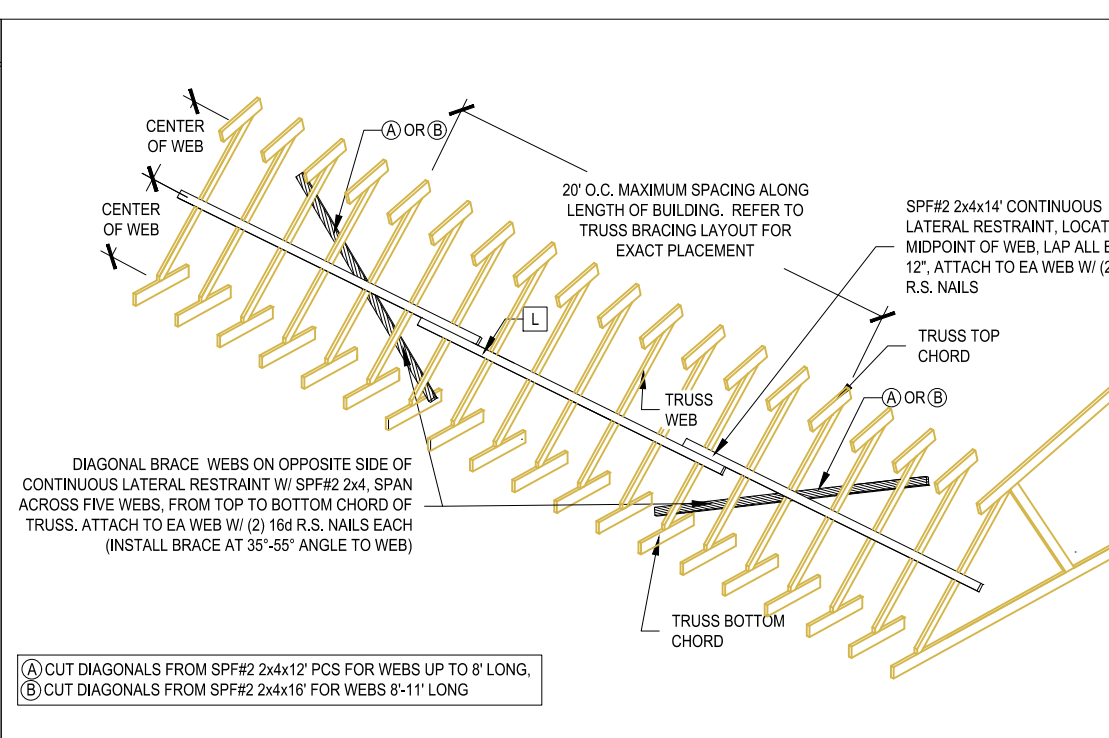
ROOF HANGER SCHEDULE			
Quantity	Product Description	Fasteners To Header	Fasteners To Joist
32	SIMPSON H10A	(9) 10d x 1-1/2"	(9) 10d x 1-1/2"
27	SIMPSON H2.5A	(5) 8d	(5) 8d



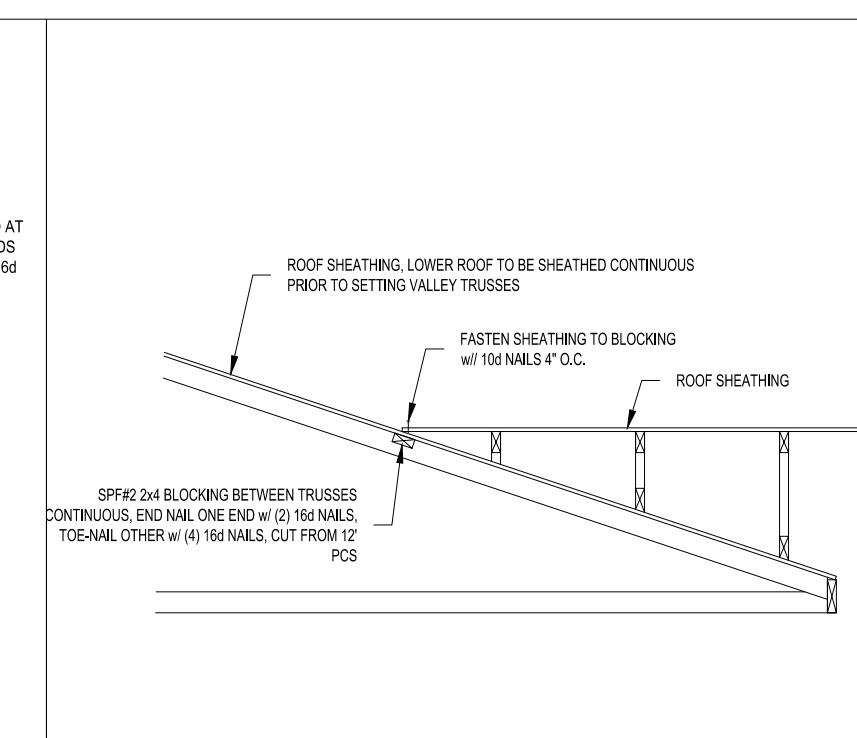
**1 ROOF TRUSS LAYOUT**  
 SCALE: 1/4" = 1'-0"



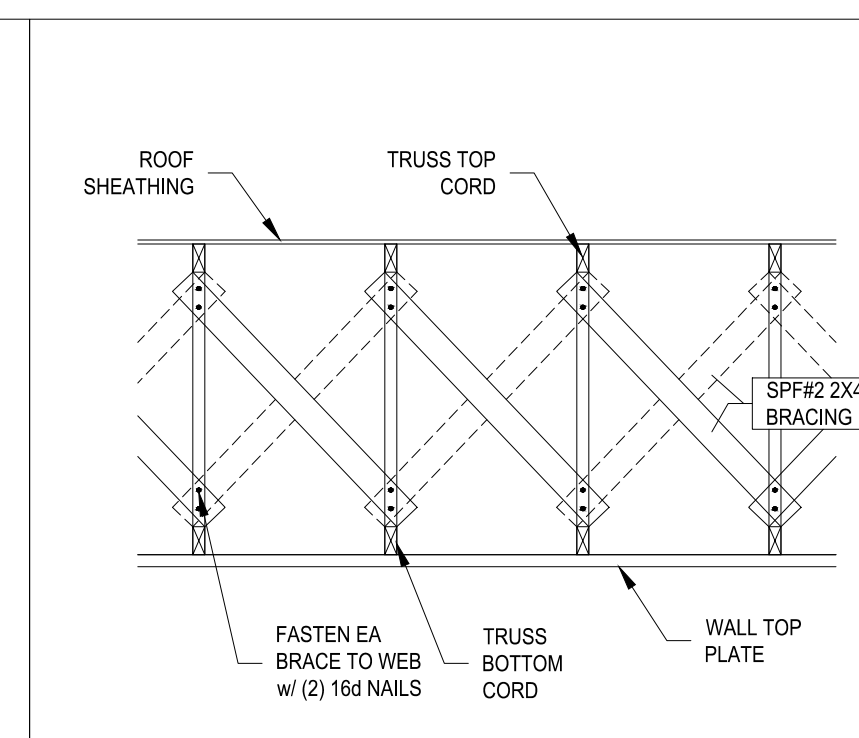
**3 - ENDWALL T-BRACING**



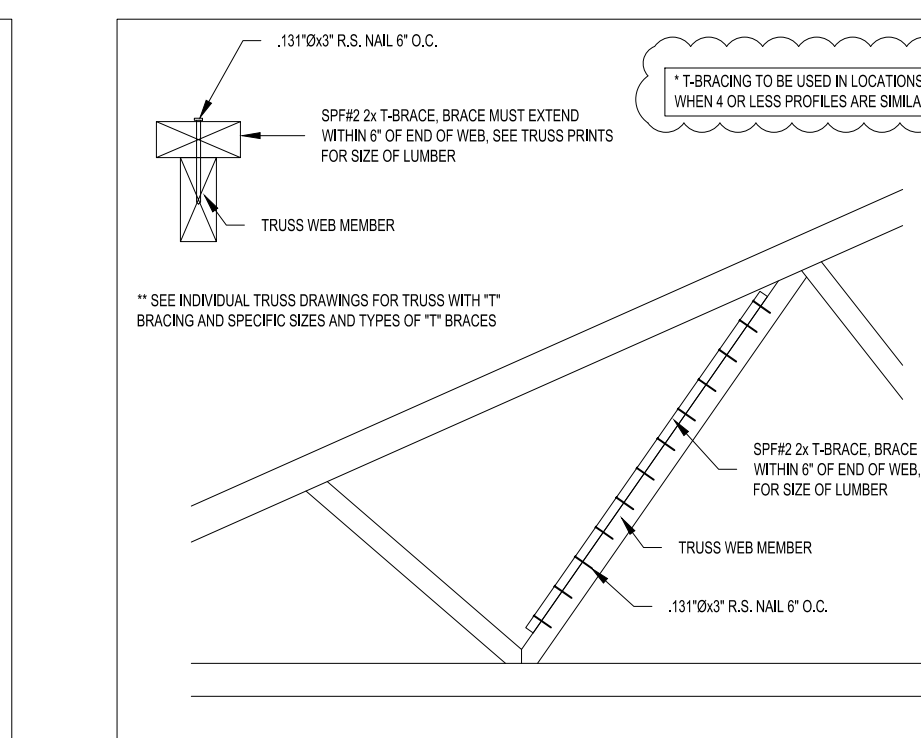
**4 - (1) RUN LATERAL BRACE, WEB < 11' LONG**



**5 - VALLEY SHEATHING**



**6 - CONTINUOUS X BRACING**



**7 - WEB T-BRACING**



PROJECT NUMBER:  
 2023/HOUSE/IA84080

CUSTOMER SERVICE:  
 BRETT D  
 DRAWN BY:  
 MARK T.  
 REVIEWED BY:  
 DAVE M.

DATE:  
 01-05-23

REVISIONS:  
 3-24-23  
 6-19-23

Print Date: 6/19/2023

DEALER:  
 CROSS COUNTRY BUILDINGS  
 PROJECT TITLE:  
 YAHMAGUCHI CABIN  
 SOLID CORE BUILDING PACKAGE

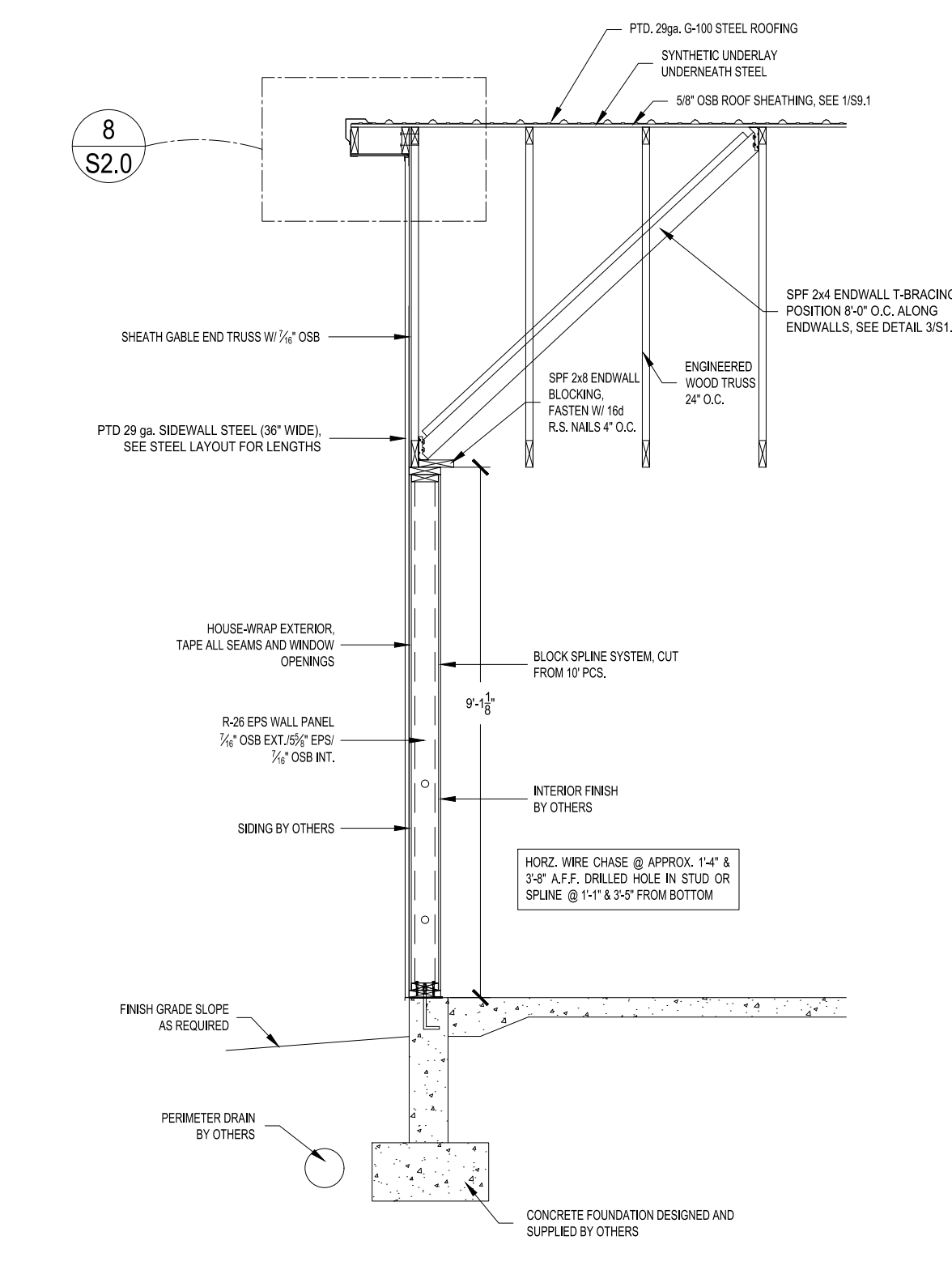
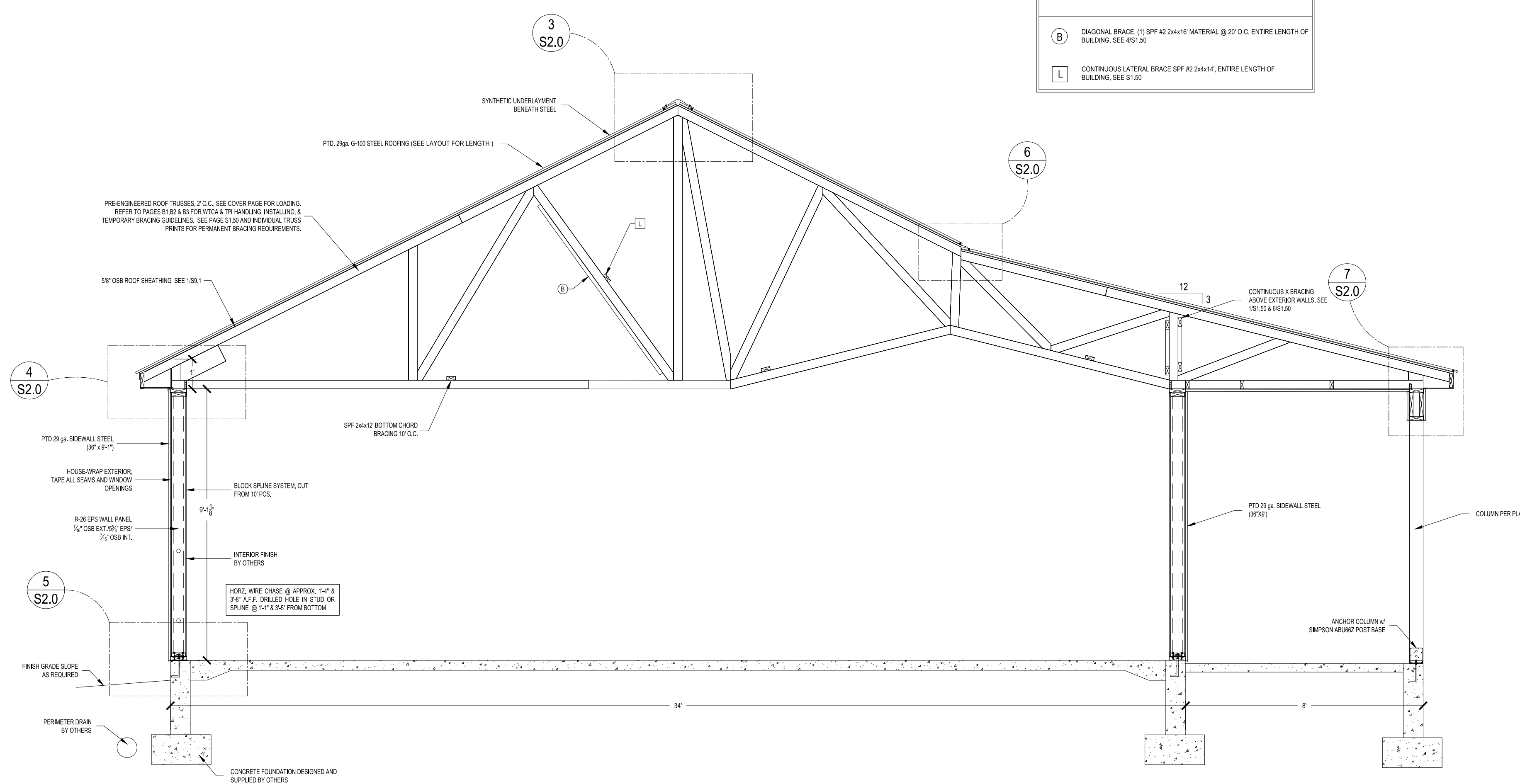
**ROOF FRAMING PLAN**

SHEET TITLE:  
 PROJECT STATUS:  
 FINAL DRAWINGS

SHEET:  
**S1.50**

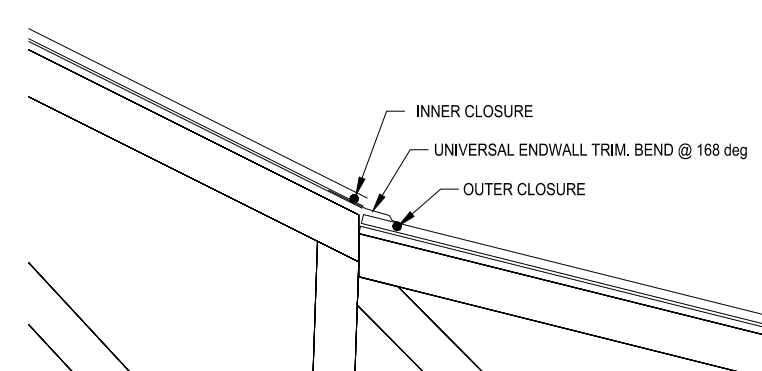
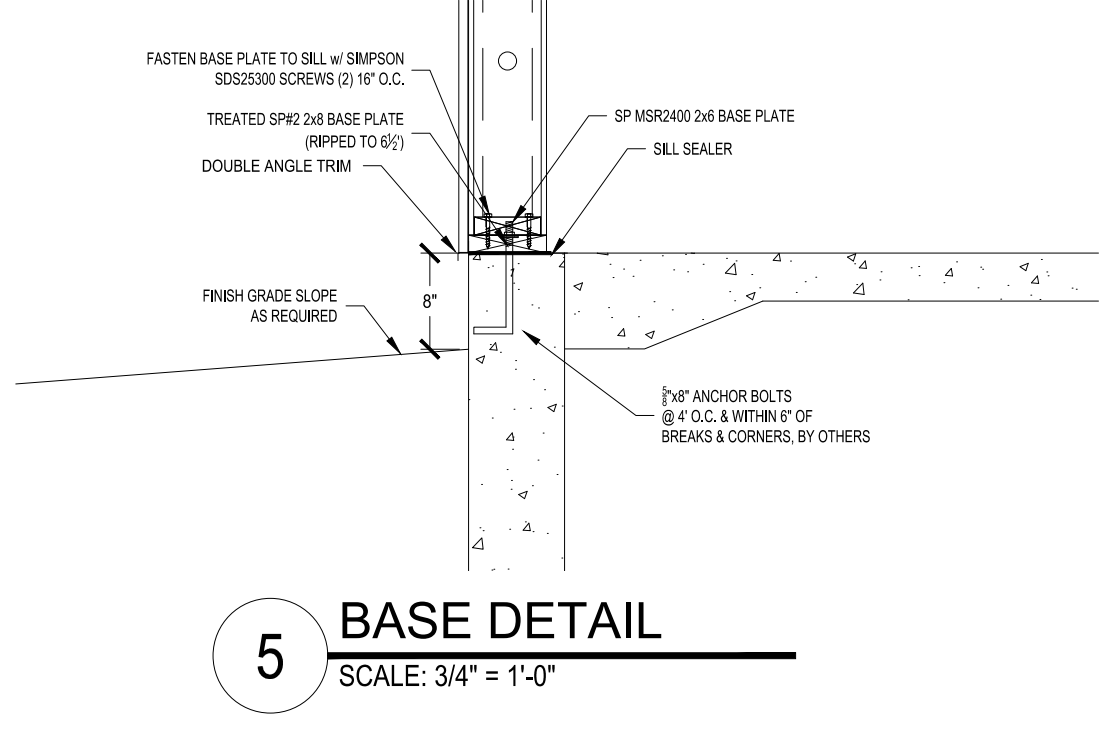
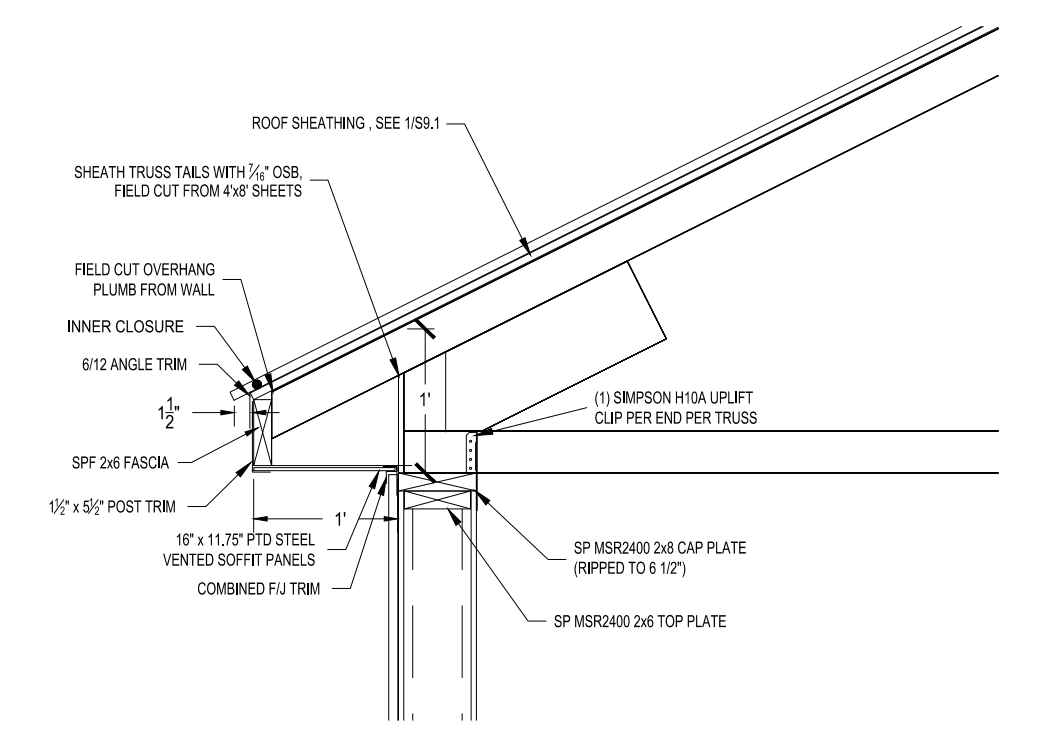
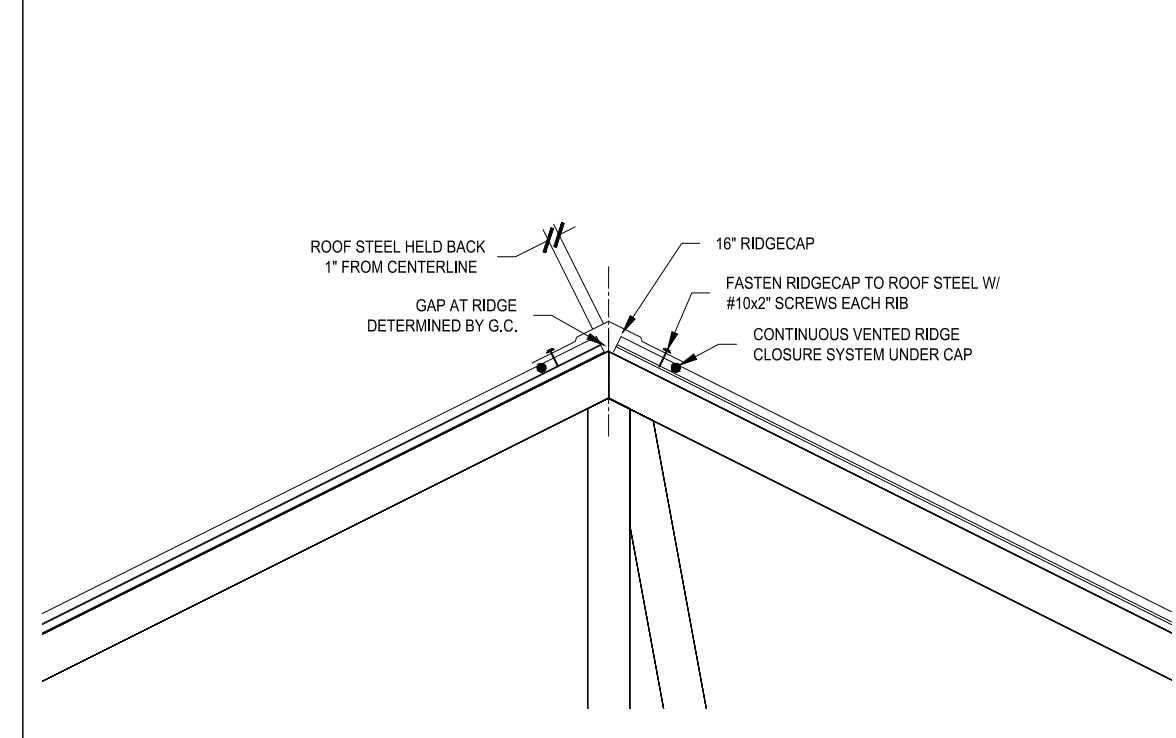
THE BELOW TABLE SPECIFIES THE PERMANENT ROOF TRUSS WEB BRACING FOR THIS ROOF SYSTEM. USE IN CONJUNCTION WITH INDIVIDUAL TRUSS DESIGN DRAWINGS AND THE BCS MANUAL.

<b>B</b>	DIAGONAL BRACE, (1) SPF #2 2x4x12 MATERIAL, @ 20' O.C. ENTIRE LENGTH OF BUILDING. SEE 451.50
<b>L</b>	CONTINUOUS LATERAL BRACE SPF #2 2x4x12, ENTIRE LENGTH OF BUILDING. SEE 51.50

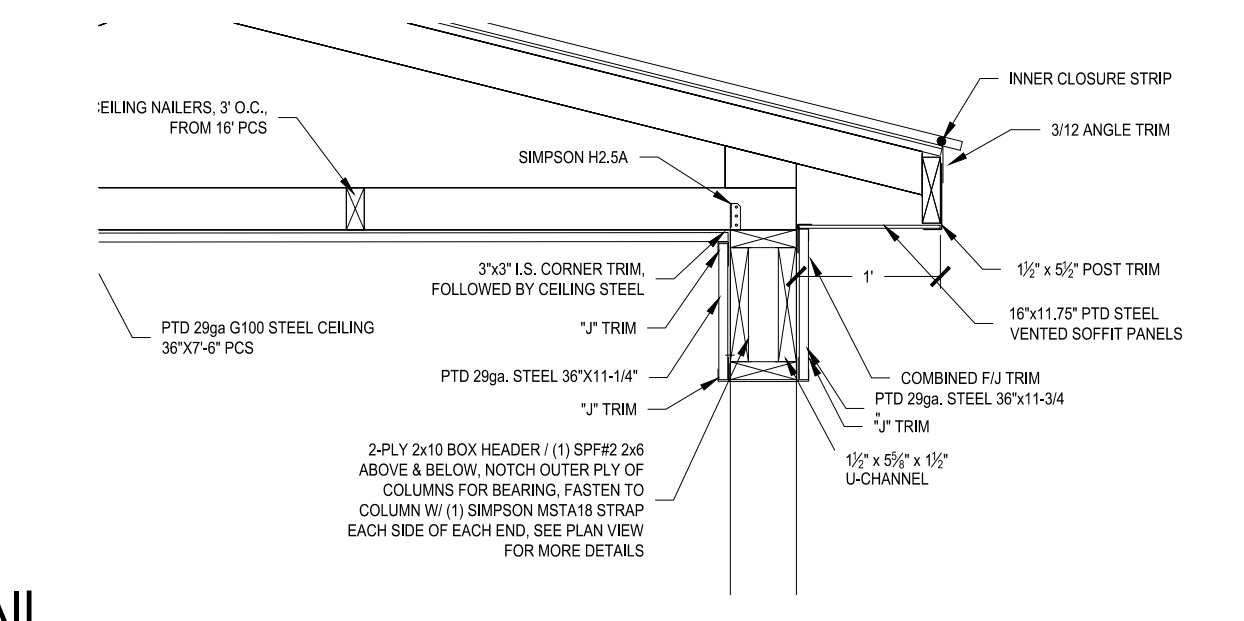


**1 CROSS SECTION**  
 SCALE: 3/8" = 1'-0"

**2 ENDWALL SECTION**  
 SCALE: 3/8" = 1'-0"



**5 BASE DETAIL**  
 SCALE: 3/4" = 1'-0"

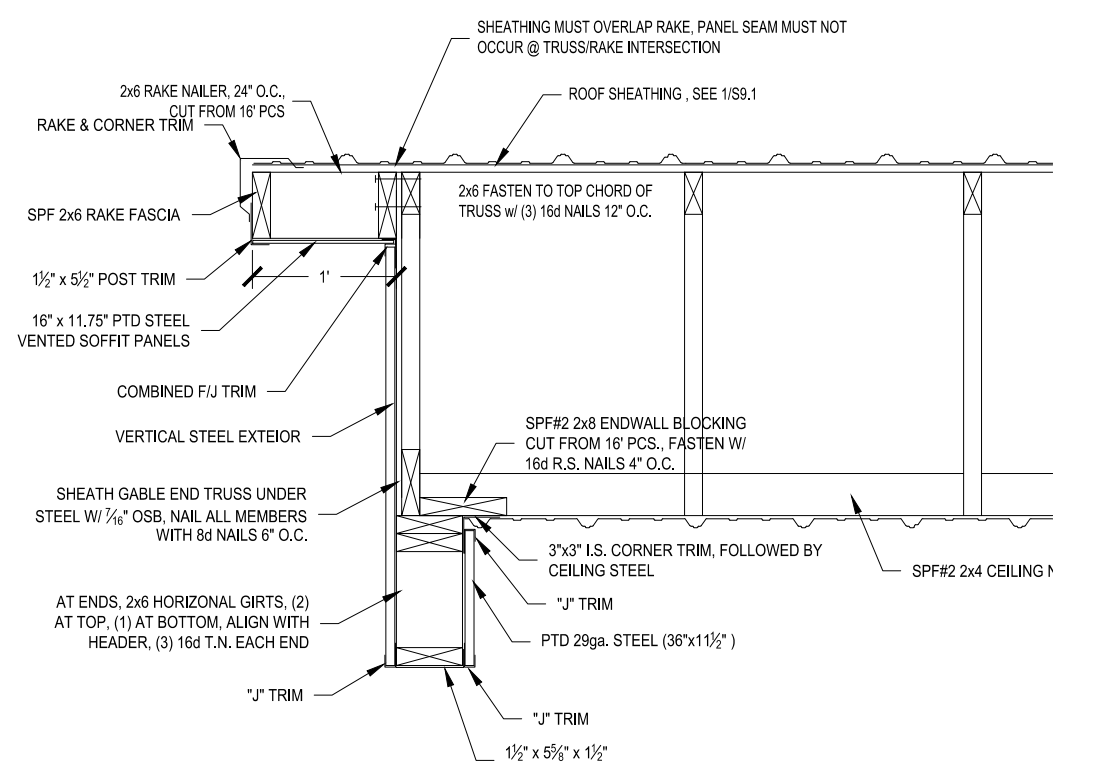
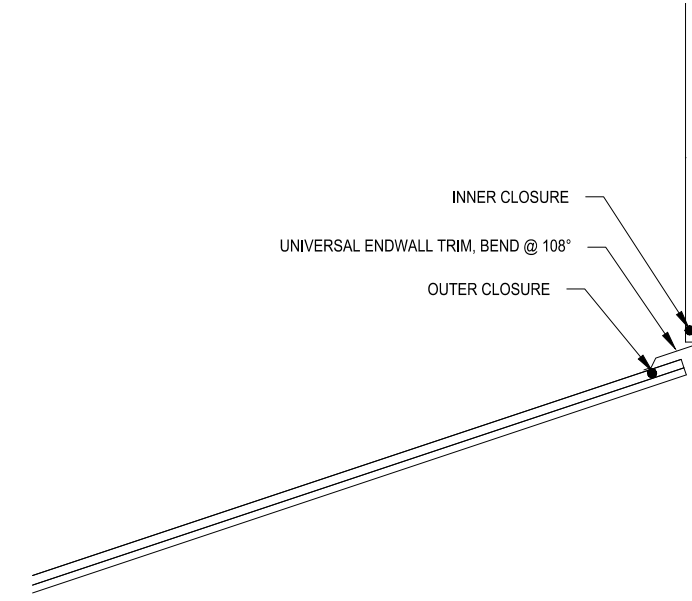
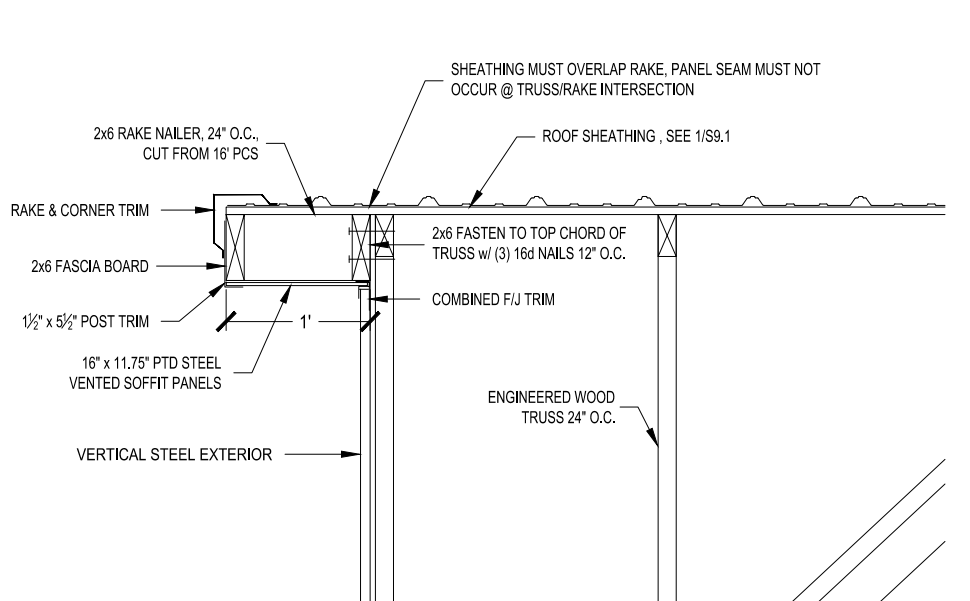


**7 BEAM DETAIL**  
 SCALE: 3/4" = 1'-0"

**3 RIDGE DETAIL**  
 SCALE: 3/4" = 1'-0"

**4 EAVE DETAIL**  
 SCALE: 3/4" = 1'-0"

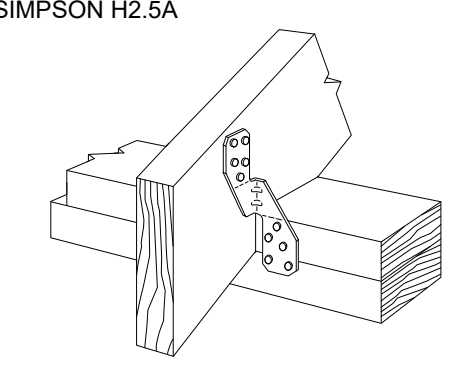
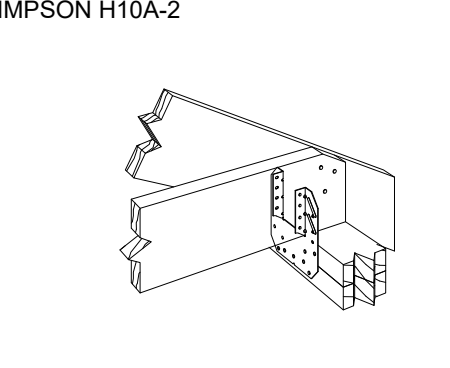
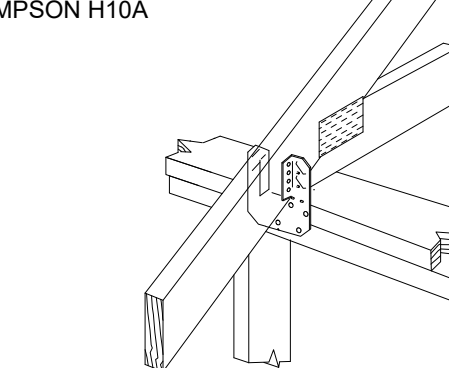
**6 TRANSITION DETAIL**  
 SCALE: 3/4" = 1'-0"

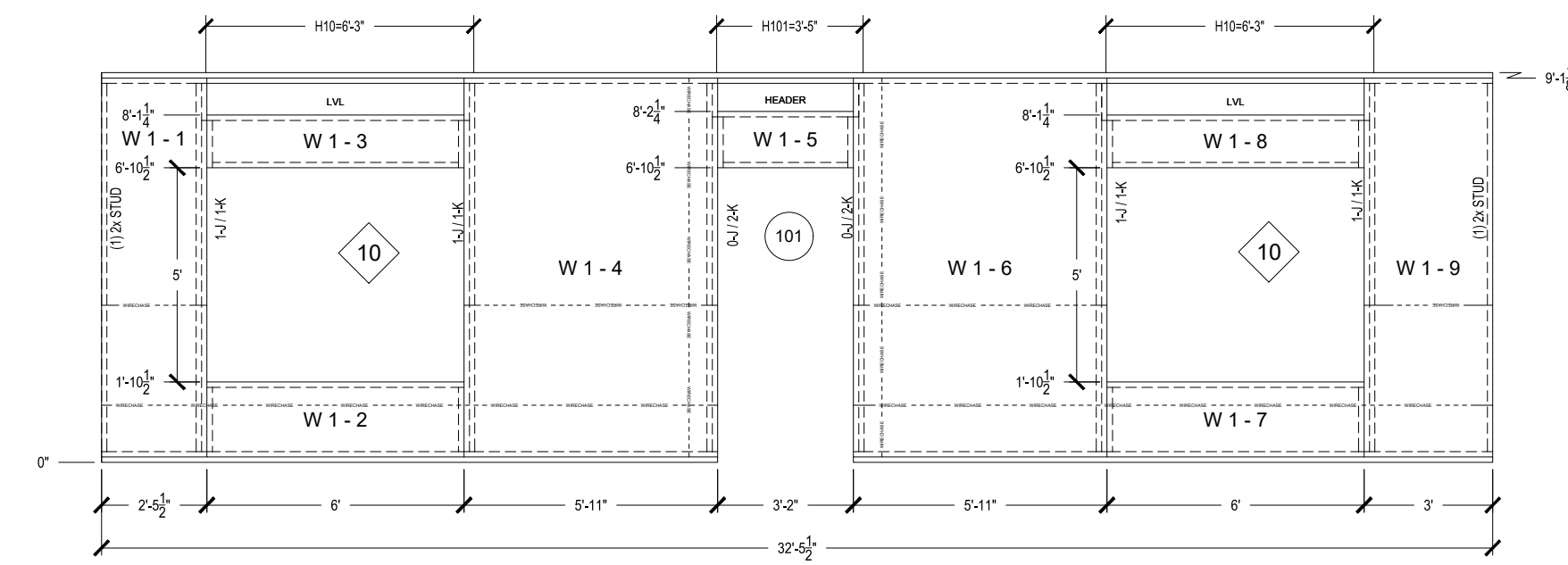


**10 RAKE DETAIL**  
 SCALE: 3/4" = 1'-0"

**8 RAKE DETAIL**  
 SCALE: 3/4" = 1'-0"

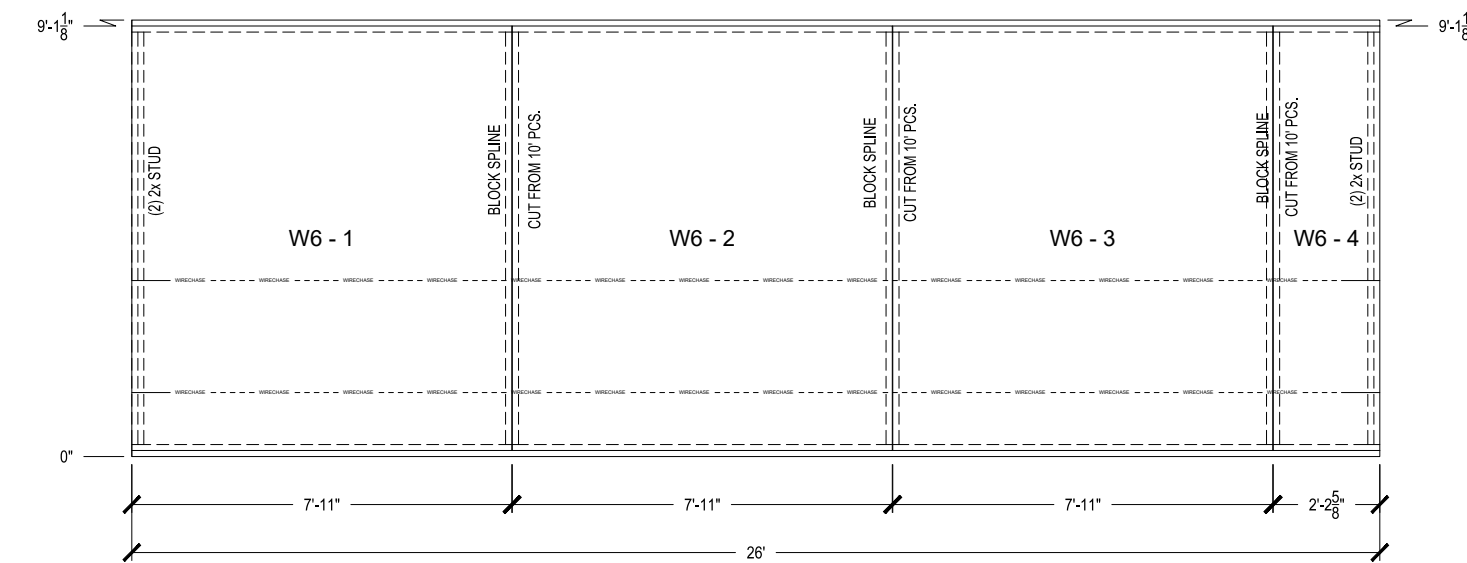
**9 RAKE DETAIL**  
 SCALE: 3/4" = 1'-0"

<p><b>SIMPSON H2.5A</b></p>  <p>Fasteners:        Truss: (5) 8d x 1.5" Nails        Plates: (5) 8d</p> <p>SIMPSON Strong-Tie        www.strongtie.com</p>	<p><b>SIMPSON H10A-2</b></p>  <p>Fasteners:        Plate: (9) 10d x 1.5" Nails        Truss: (9) 10d x 1.5" Nails</p> <p>SIMPSON Strong-Tie        www.strongtie.com</p>	<p><b>SIMPSON H10A</b></p>  <p>Fasteners:        Plate: (9) 10d x 1.5" Nails        Truss: (9) 10d x 1.5" Nails</p> <p>SIMPSON Strong-Tie        www.strongtie.com</p>
--	---	---



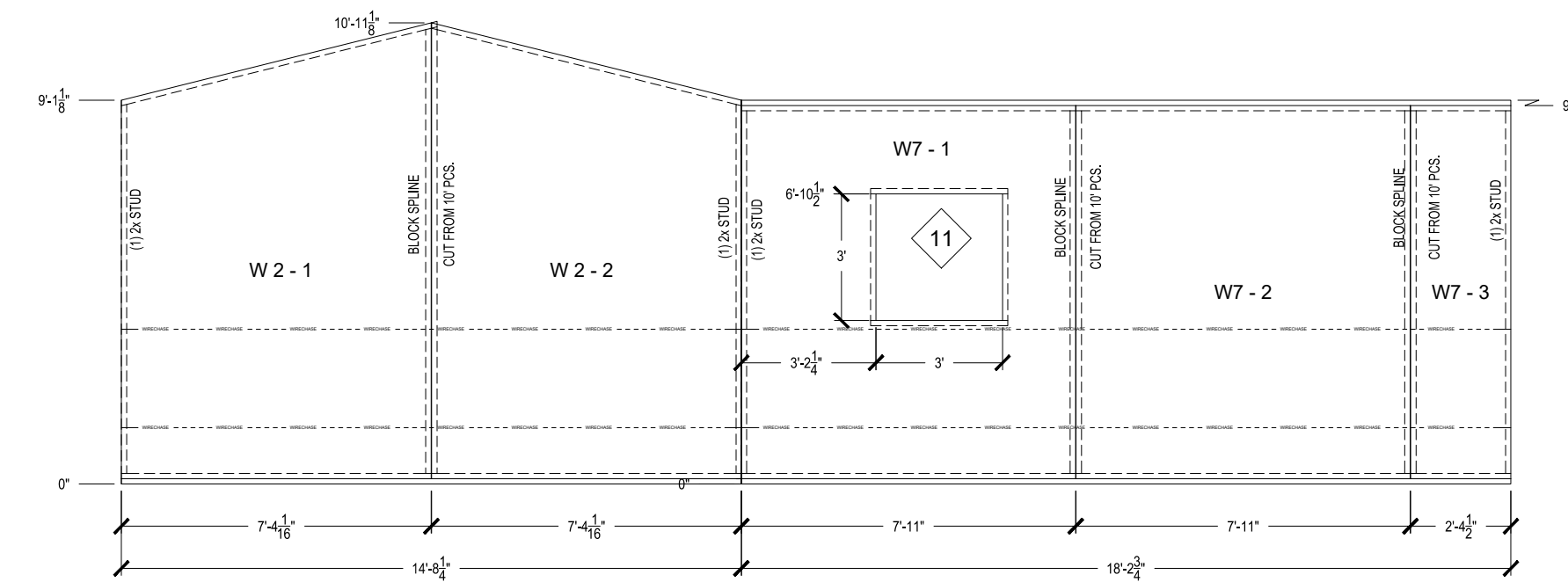
Wall: W1

**1** FRONT PANEL ELEVATION  
 SCALE: 1/4" = 1'-0"



Wall: W6

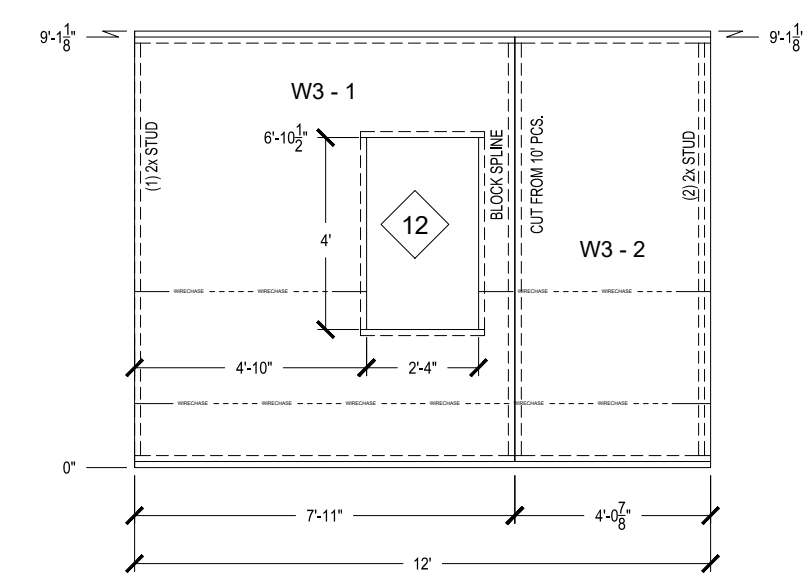
**2** LEFT PANEL ELEVATION  
 SCALE: 1/4" = 1'-0"



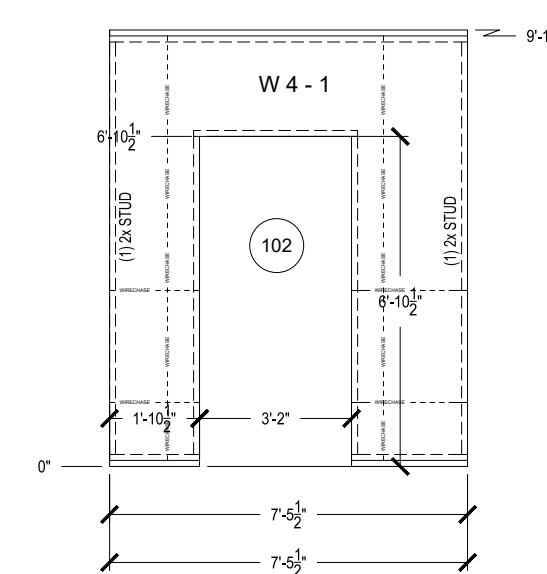
Wall: W2

Wall: W7

**3** RIGHT PANEL ELEVATION  
 SCALE: 1/4" = 1'-0"

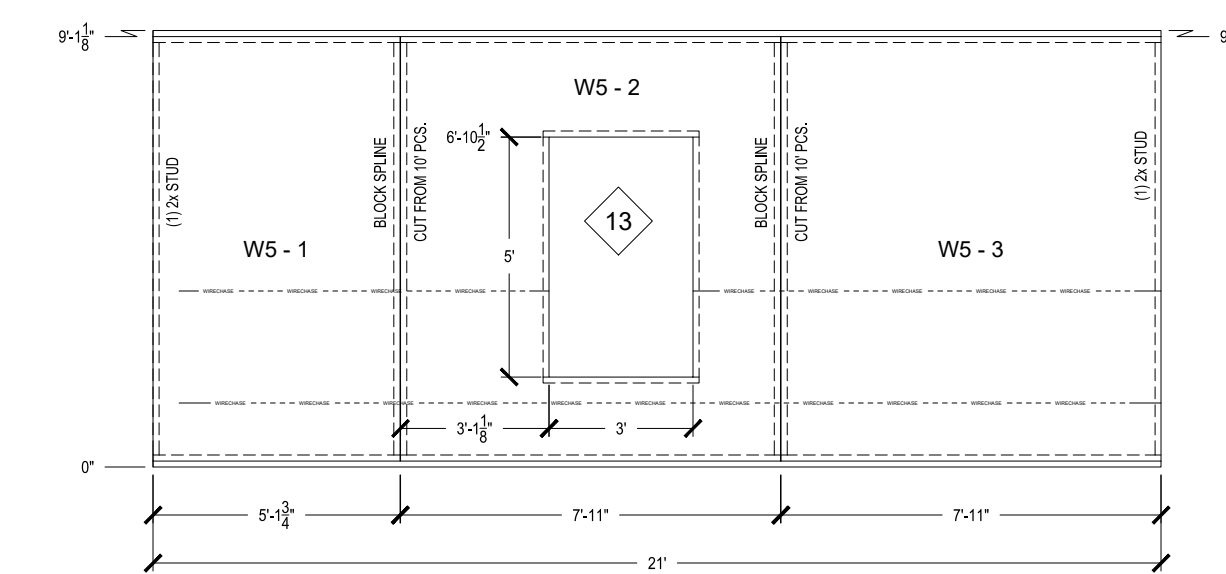


Wall: W3



Wall: W4

**4** REAR PANEL ELEVATION  
 SCALE: 1/4" = 1'-0"



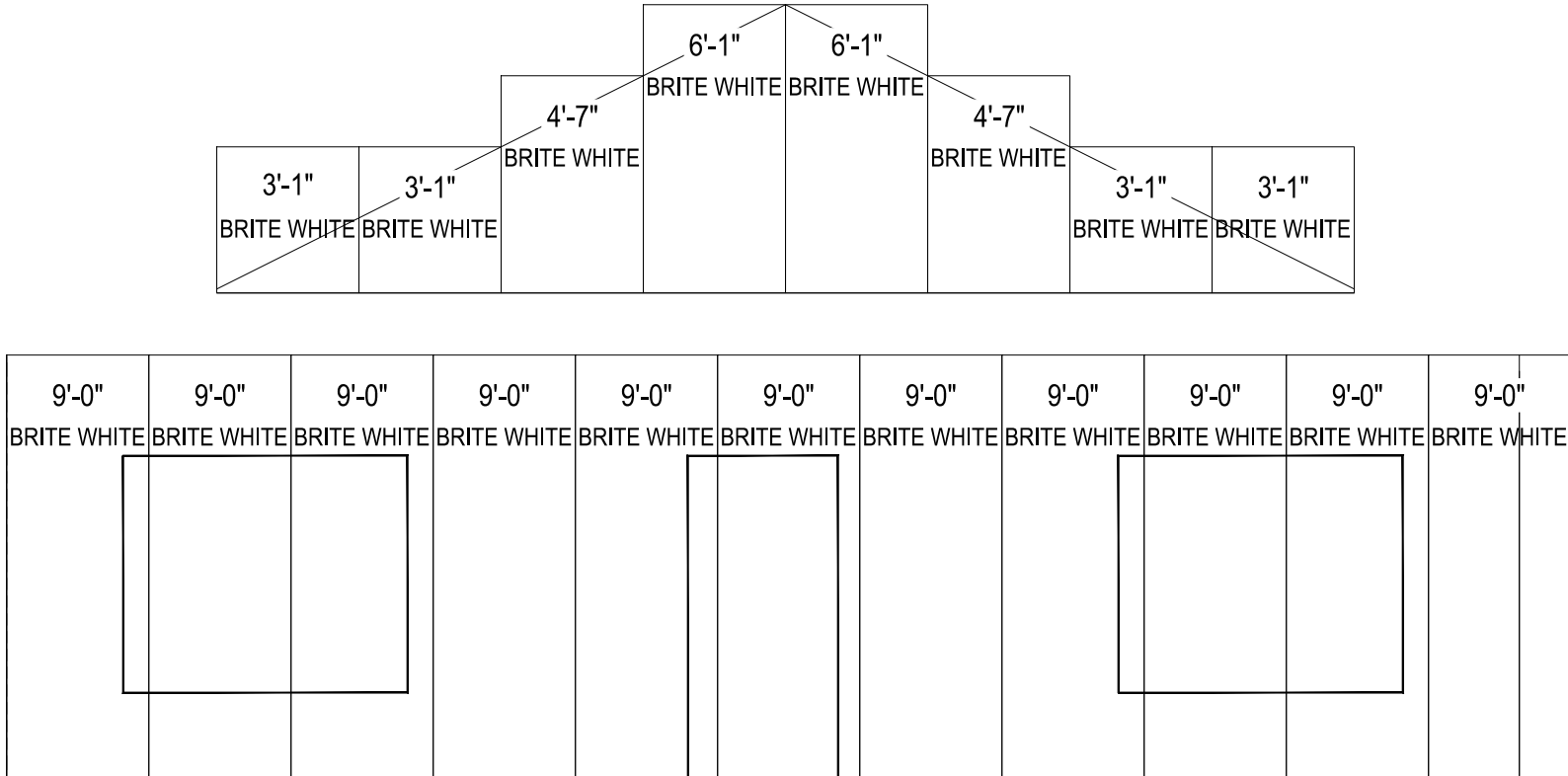
Wall: W5

DEALER:  
**CROSS COUNTRY BUILDINGS**  
 PROJECT TITLE:  
**YAHMAGUCHI CABIN**  
**SOLID CORE BUILDING PACKAGE**

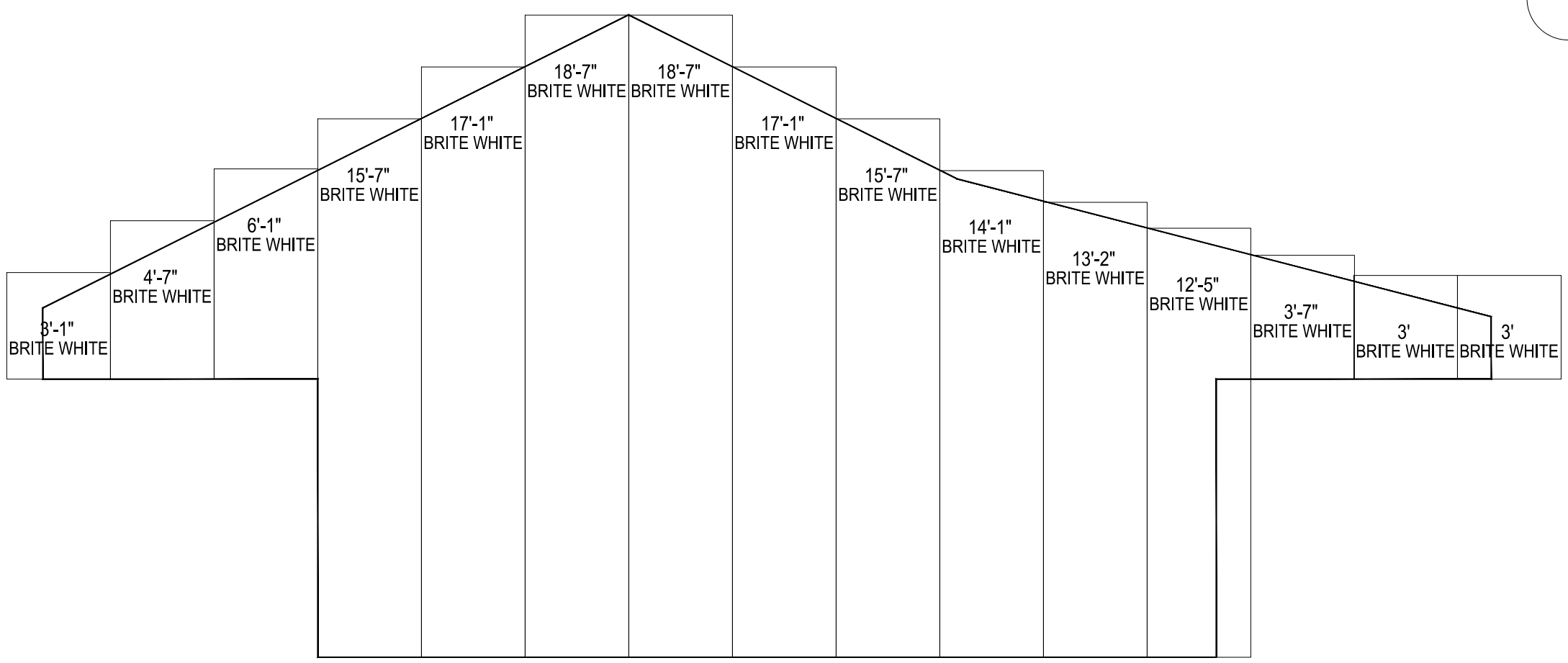
SHEET TITLE:  
**WALL PANEL ELEVATIONS**

PROJECT STATUS:  
**FINAL DRAWINGS**

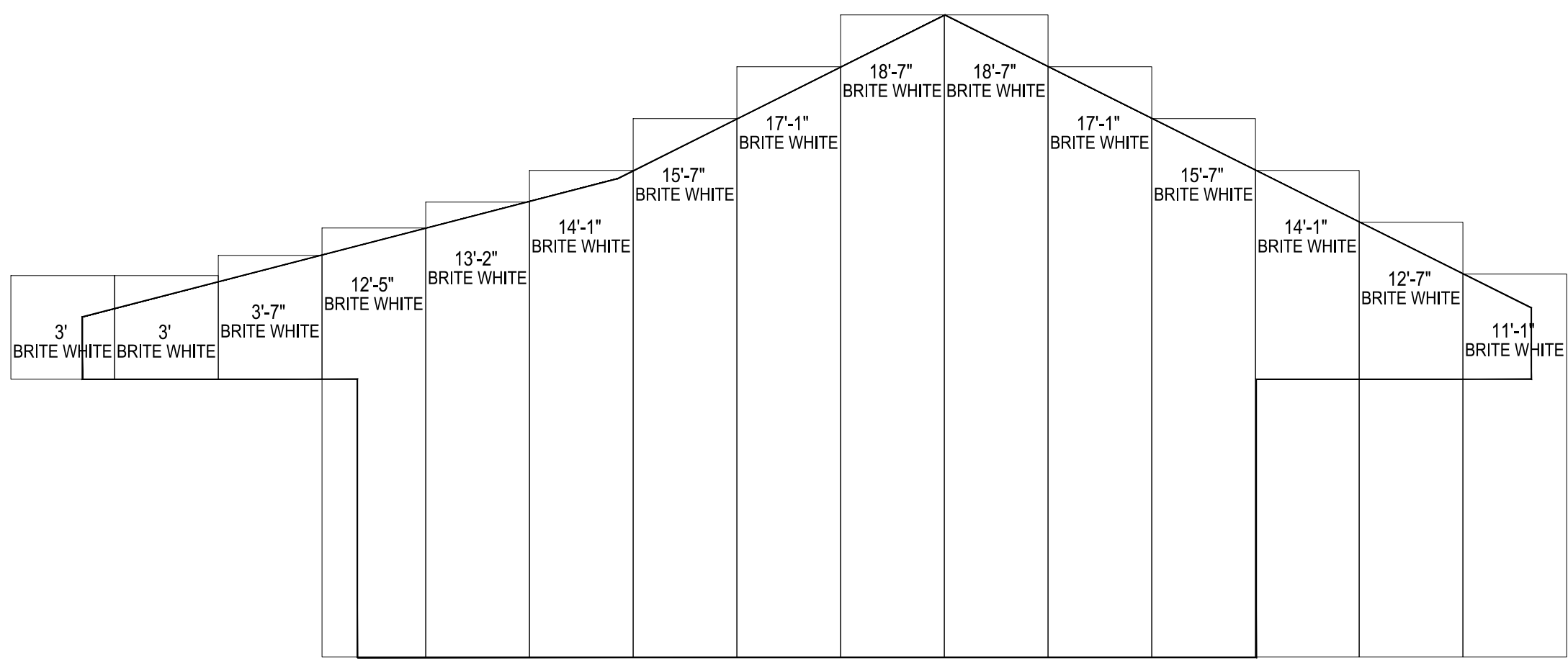
SHEET:  
**S4.10**



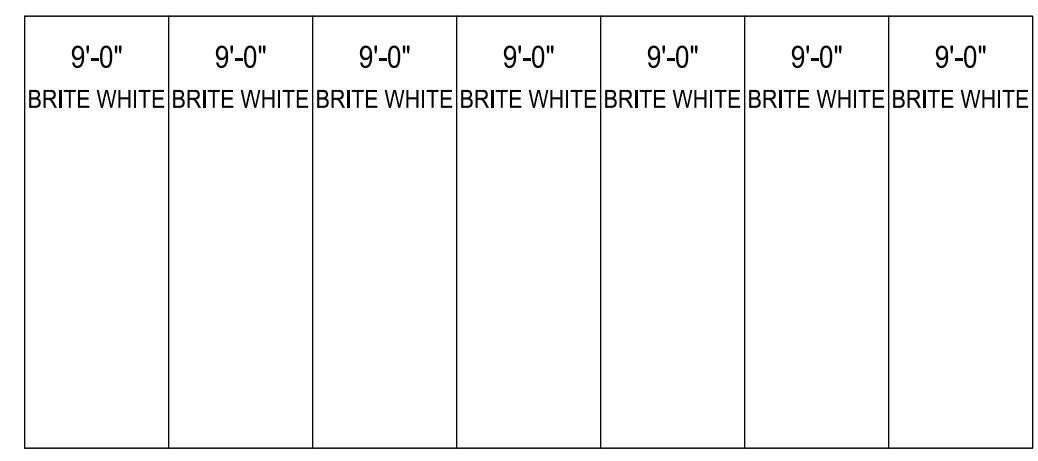
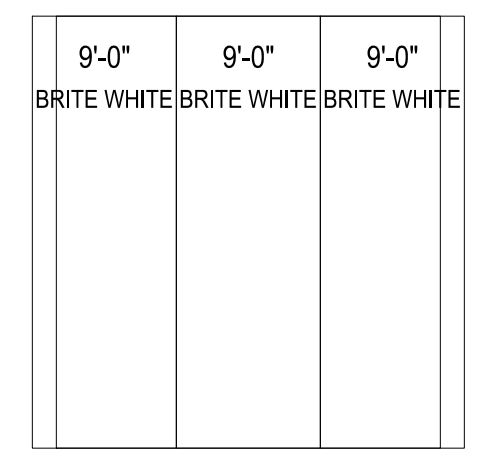
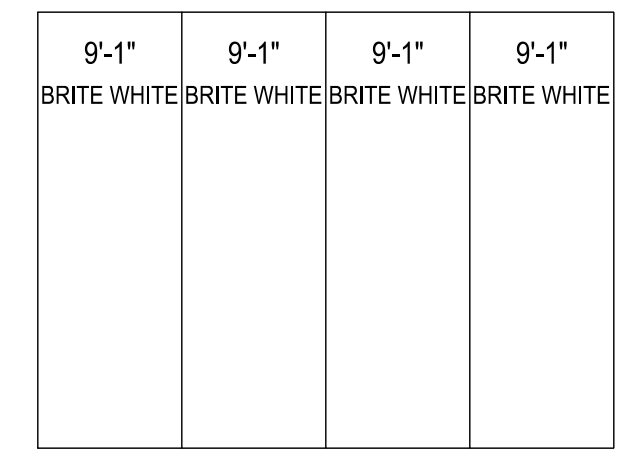
**1 FRONT STEEL ELEVATION**  
SCALE: 1/4" = 1'-0"



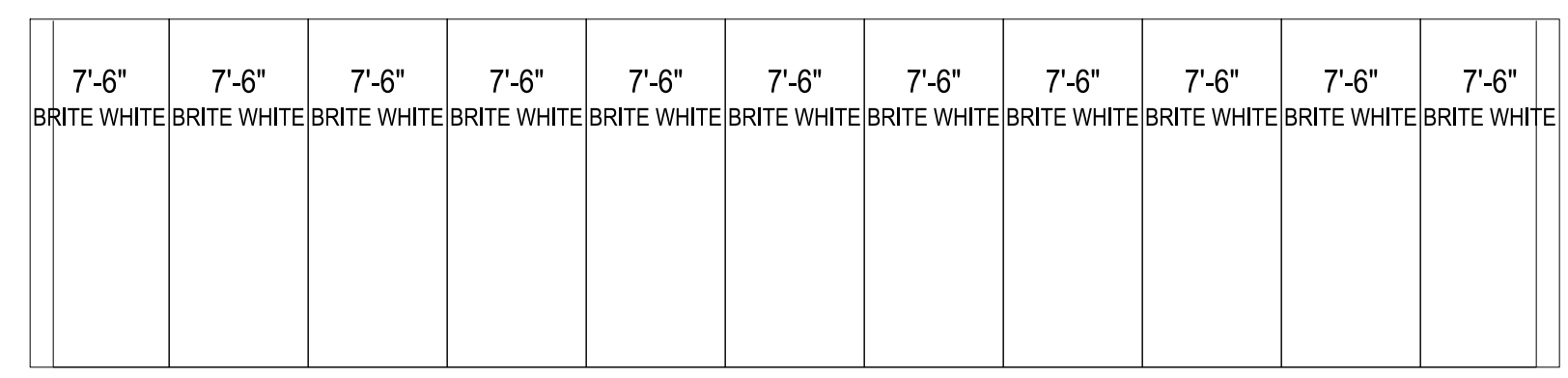
**2 LEFT STEEL ELEVATION**  
SCALE: 1/4" = 1'-0"



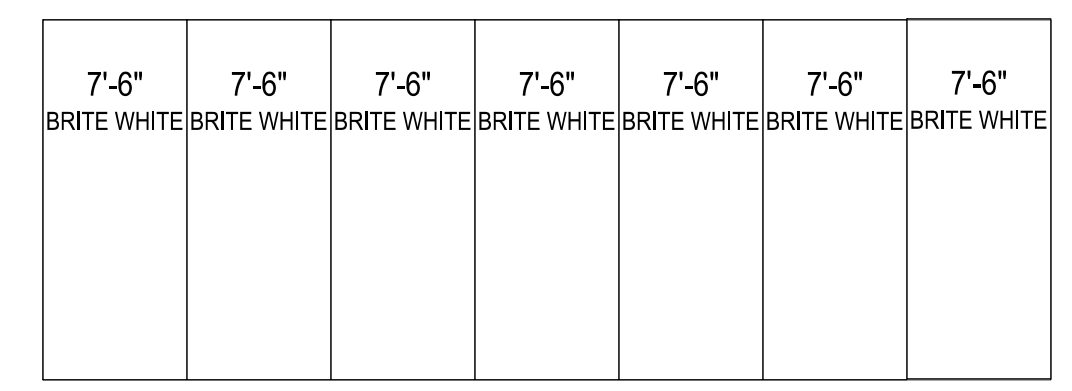
**3 RIGHT STEEL ELEVATION**  
SCALE: 1/4" = 1'-0"



**4 REAR STEEL ELEVATION**  
SCALE: 1/4" = 1'-0"



**5 PORCH FRONT CEILING**  
SCALE: 1/4" = 1'-0"



**5 PORCH BACK CEILING**  
SCALE: 1/4" = 1'-0"

PROJECT NUMBER:  
 2023/HOUSE/IA84080

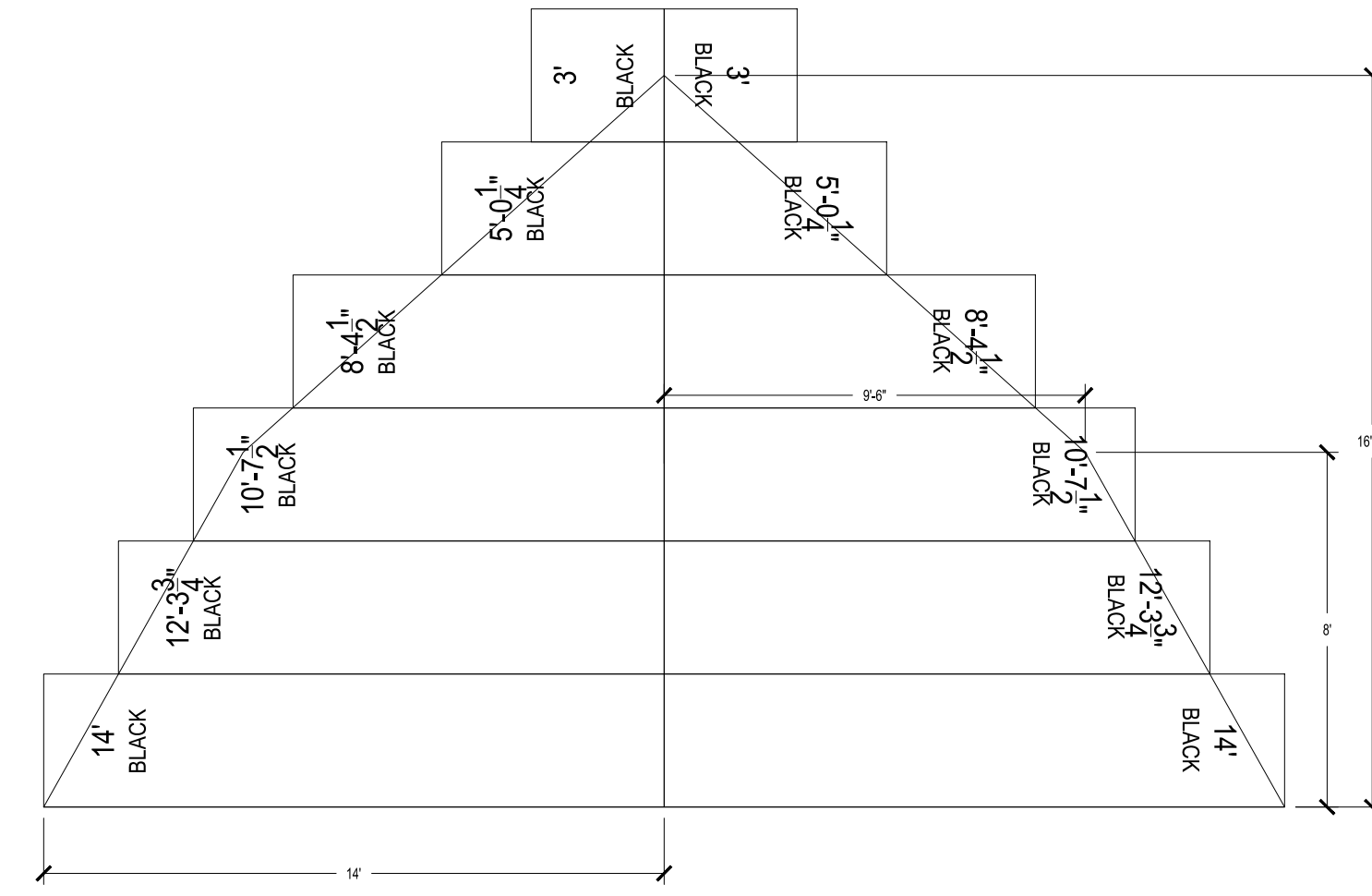
CUSTOMER SERVICE:  
**BRETT D**  
 DRAWN BY:  
**MARK T.**  
 REVIEWED BY:  
**DAVE M.**

DATE:  
 01-05-23

REVISIONS:  
 3-24-23  
 6-19-23  
 -  
 Print Date: 6/19/2023

20'-2" BLACK	20'-2" BLACK	20'-2" BLACK	20'-2" BLACK	20'-2" BLACK	20'-2" BLACK	20'-2" BLACK	20'-2" BLACK	20'-2" BLACK	20'-2" BLACK	20'-2" BLACK	20'-2" BLACK
-----------------	-----------------	-----------------	-----------------	-----------------	-----------------	-----------------	-----------------	-----------------	-----------------	-----------------	-----------------

10'-7" BLACK	10'-7" BLACK	10'-7" BLACK	10'-7" BLACK	8'-8 <sup>1</sup> / <sub>2</sub> " BLACK	5'-8" BLACK	5'-8" BLACK	8'-8 <sup>1</sup> / <sub>2</sub> " BLACK	10'-7" BLACK	10'-7" BLACK	10'-7" BLACK	10'-7" BLACK
17'-1 <sup>1</sup> / <sub>4</sub> " BLACK	17'-1 <sup>1</sup> / <sub>4</sub> " BLACK	17'-1 <sup>1</sup> / <sub>4</sub> " BLACK								17'-1 <sup>1</sup> / <sub>4</sub> " BLACK	17'-1 <sup>1</sup> / <sub>4</sub> " BLACK
			9'-4" BLACK	9'-4" BLACK	9'-4" BLACK	9'-4" BLACK	9'-4" BLACK	9'-4" BLACK			



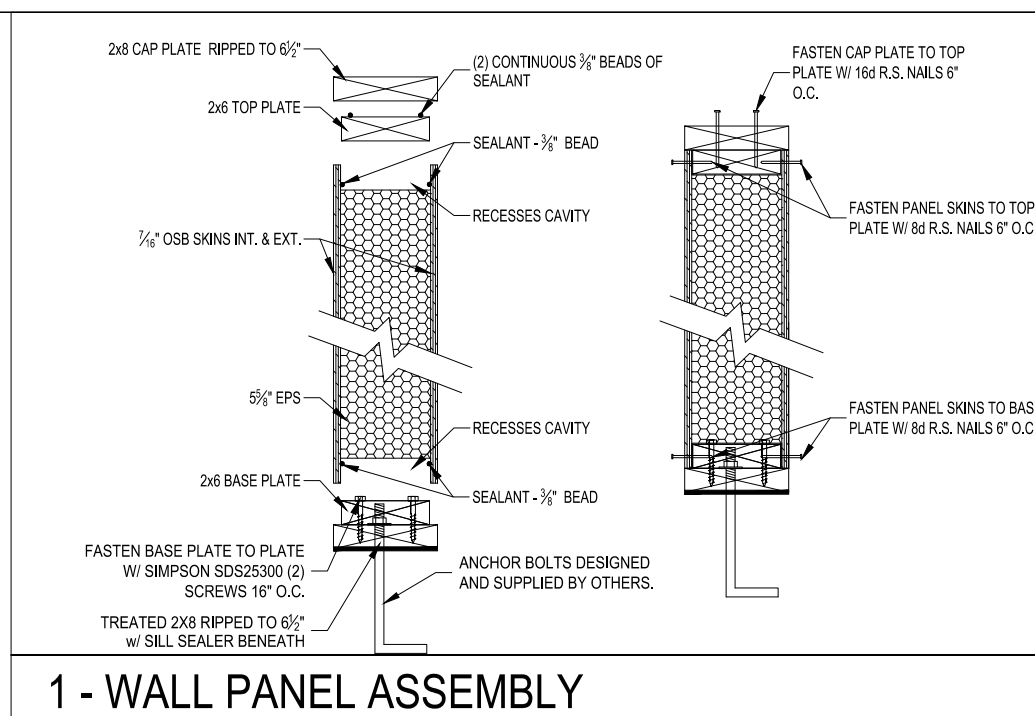
**1** ROOF STEEL ELEVATIONS  
 SCALE: 1/4" = 1'-0"

DEALER:  
**CROSS COUNTRY BUILDINGS**  
 PROJECT TITLE:  
**YAHMAGUCHI CABIN**  
**SOLID CORE BUILDING PACKAGE**

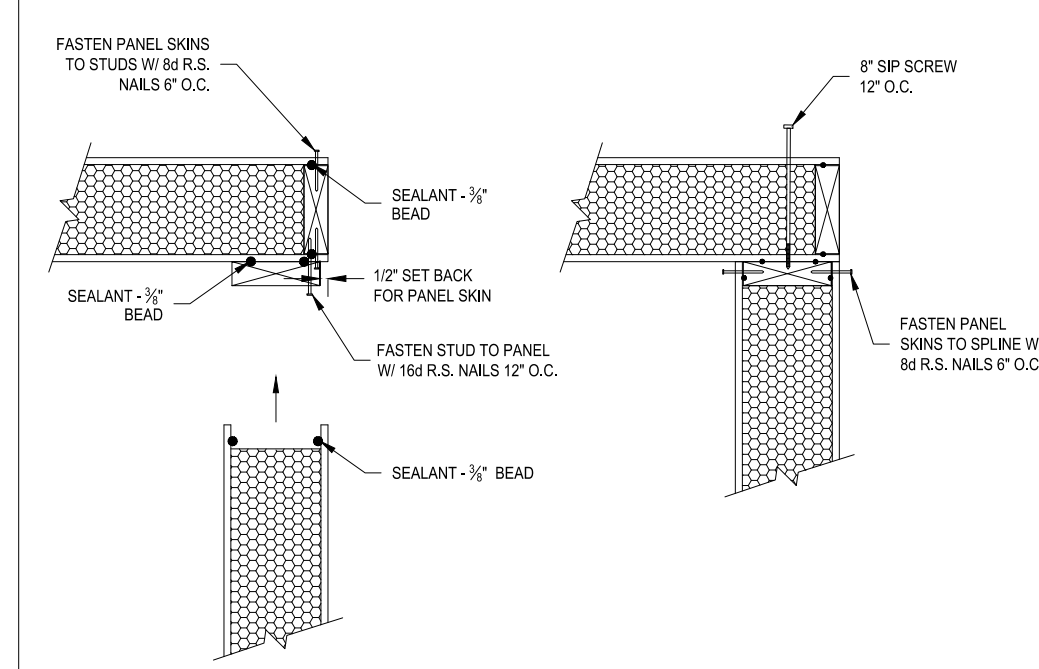
SHEET TITLE:  
**ROOF STEEL ELEVATIONS**

PROJECT STATUS:  
**FINAL DRAWINGS**

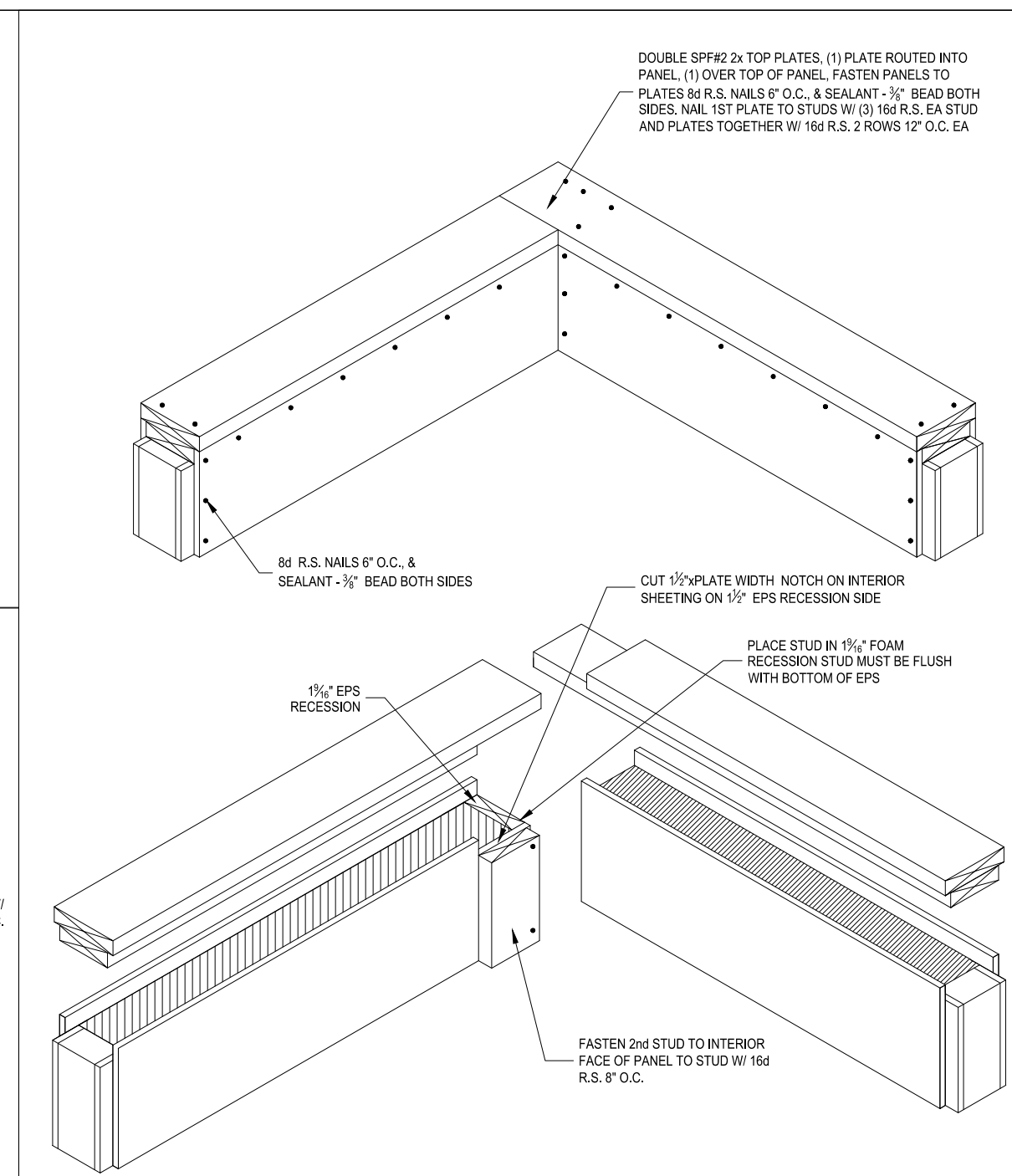
SHEET:  
**S4.12**



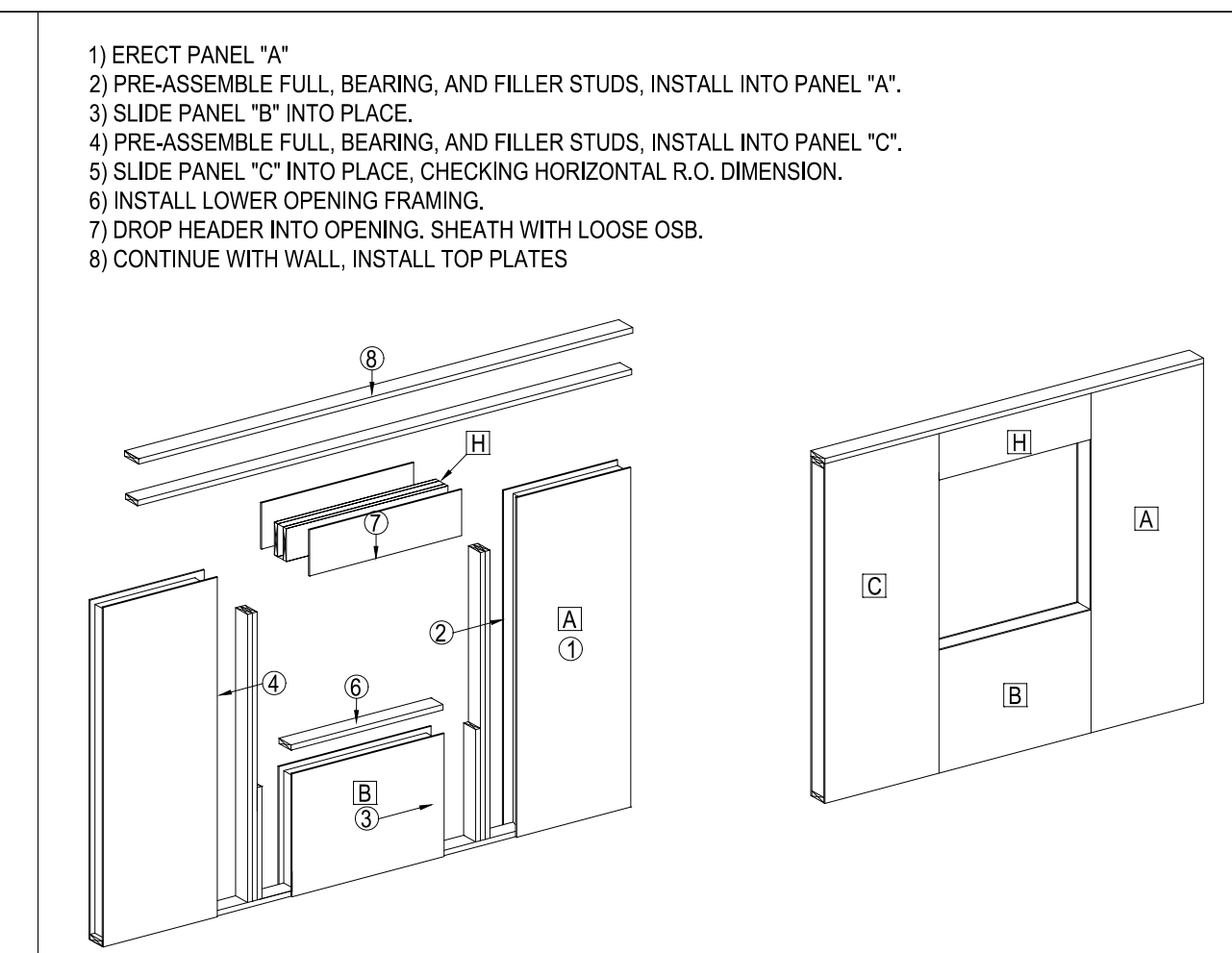
1 - WALL PANEL ASSEMBLY



2 - CORNER CONNECTION

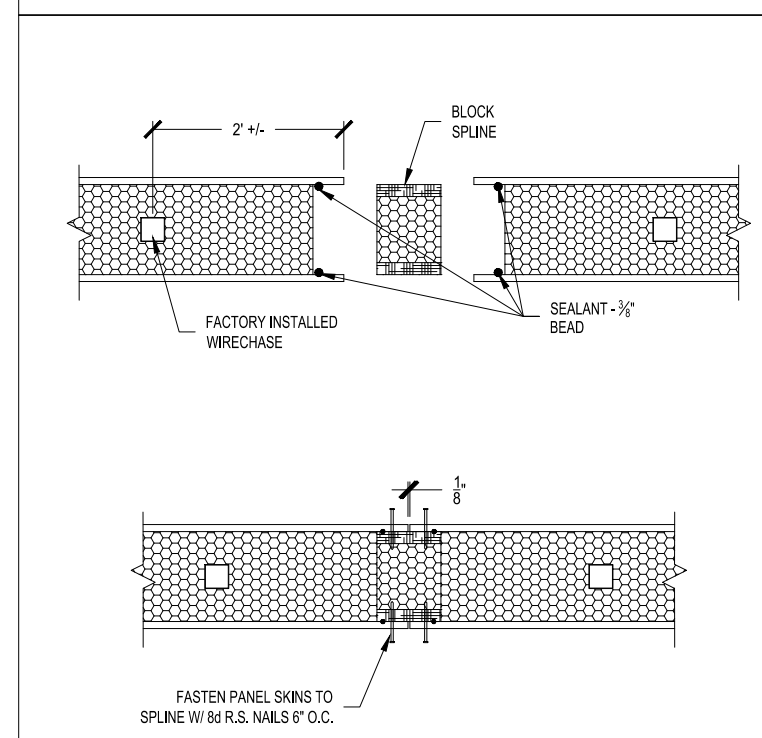


3 - CORNER CONNECTION

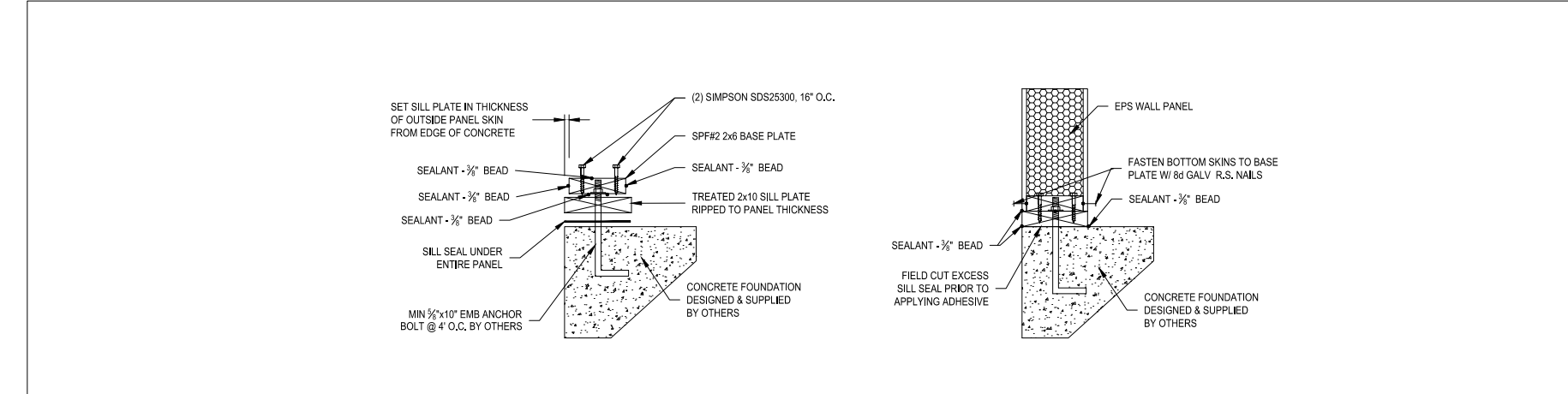


- 1-6 SEE ABOVE
- 7) INSTALL FILLER PANEL BLOCKING
- 8) SLIDE UPPER PANEL INTO PLACE, VERIFY VERTICAL R.O.
- 9) INSTALL UPPER OPENING FRAMING.
- 10) DROP HEADER INTO OPENING. SHEATH WITH LOOSE OSB.
- 11) CONTINUE WITH WALL, INSTALL TOP PLATES

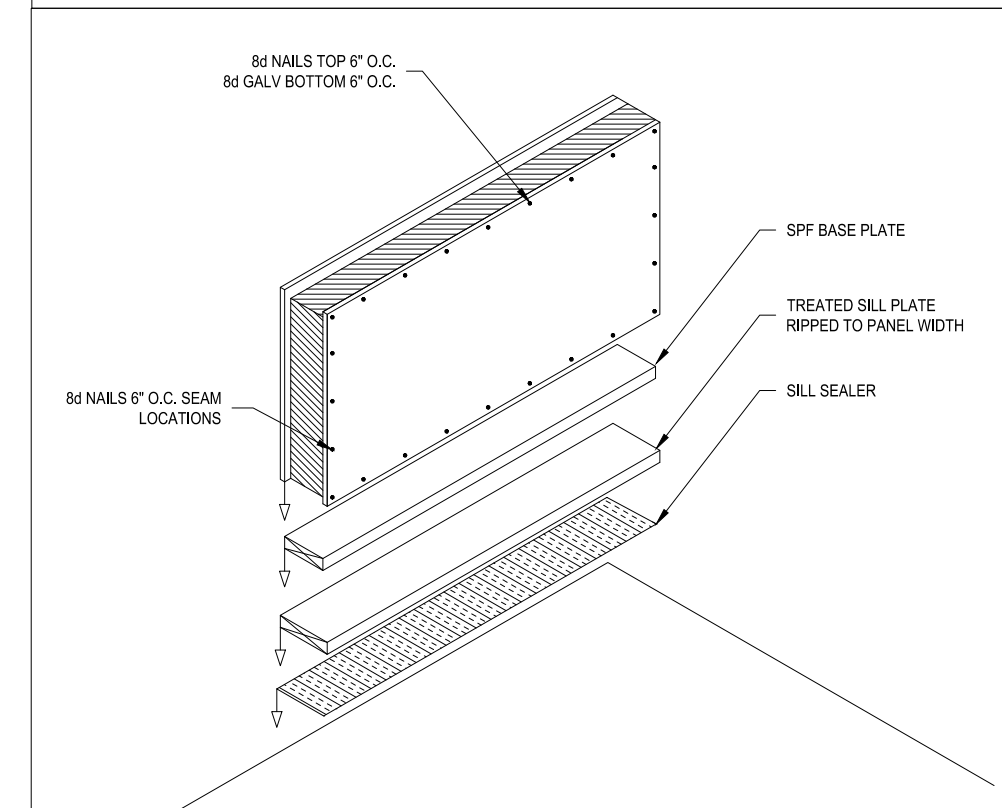
9 - TYPICAL HEADER FRAMING DETAIL



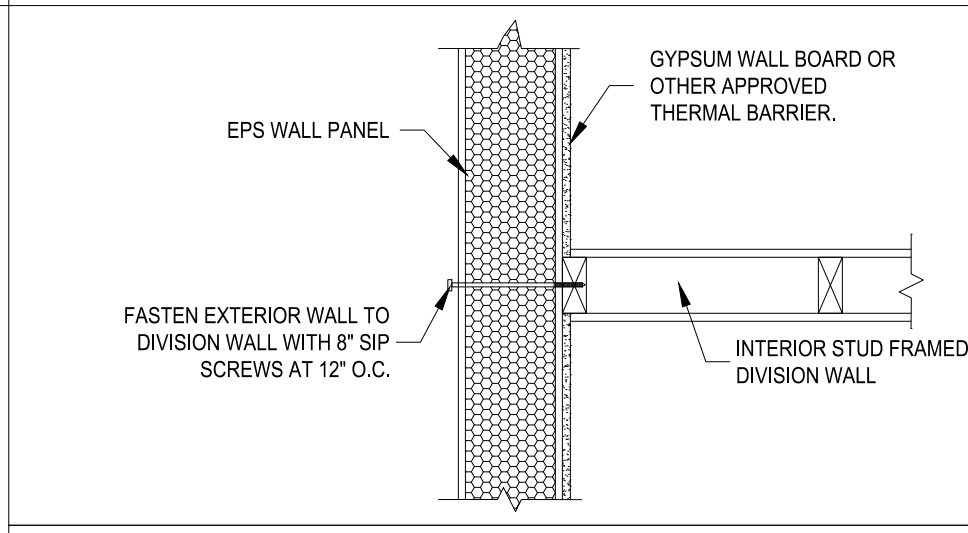
4 - PANEL / PANEL CONNECTION



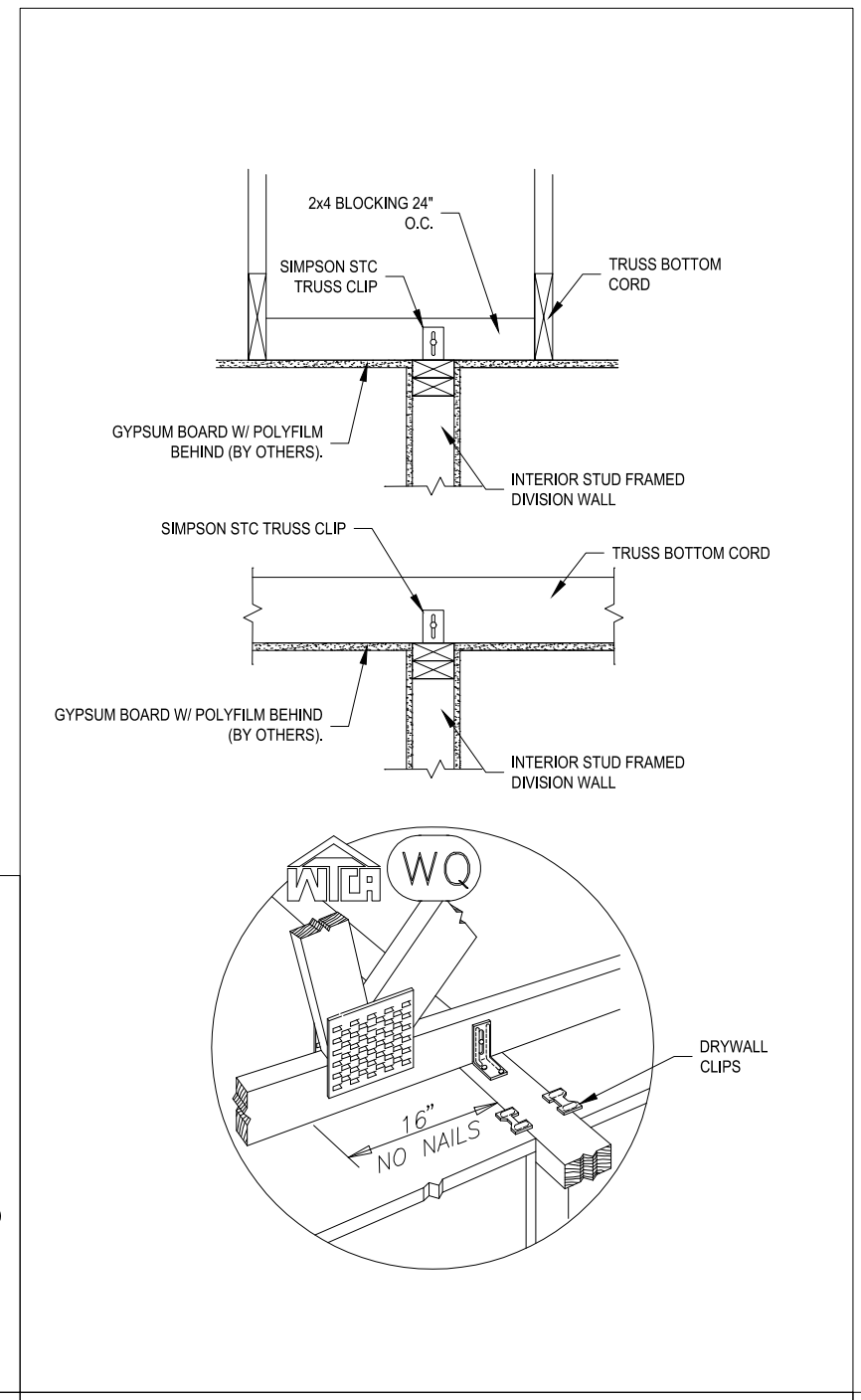
5 - BASE PLATE / CONCRETE CONNECTION



6 - BASE PLATE CONNECTION



7 - DIVISION WALL / PANEL ATTACHMENT



8 - DIVISION WALL / TRUSS ATTACHMENT

**WALL PANEL FASTENING SCHEDULE**

COMPONENTS	TYPE OF FASTENER	FREQUENCY
BASE PLATE TO SUBFLOOR	SIMPSON SD2451500 SCREWS	(1) ROW 12" O.C. PARALLEL TRUSS (2) SCREWS PER PERP. TRUSS
PLATES TO STUDS	16d R.S.	2 PER STUD
CAP PLATE TO TOP PLATE	16d R.S.	2 ROWS 12" O.C.
PANELS TO PLATES	8d R.S.	6" O.C. INT. & EXT.
PANELS TO SPLINES / STUDS	8d R.S.	6" O.C. INT. & EXT.

**WALL PANEL ADHESIVE SCHEDULE**

COMPONENTS	TYPE OF ADHESIVE	FREQUENCY
PANEL TO BASE PLATE	SIP SEAL SIP SEALANT / ADHESIVE	1/2" BEAD (CONTINUOUS) 1 RUN PER SKIN
PANEL TO SPLINES	SIP SEAL SIP SEALANT / ADHESIVE	1/2" BEAD (CONTINUOUS) 1 RUN PER SKIN
PANEL TO TOP PLATE	SIP SEAL SIP SEALANT / ADHESIVE	1/2" BEAD (CONTINUOUS) 1 RUN PER SKIN
TOP PLATE TO PLATE	SIP SEAL SIP SEALANT / ADHESIVE	(2) CONTINUOUS 1/2" BEADS

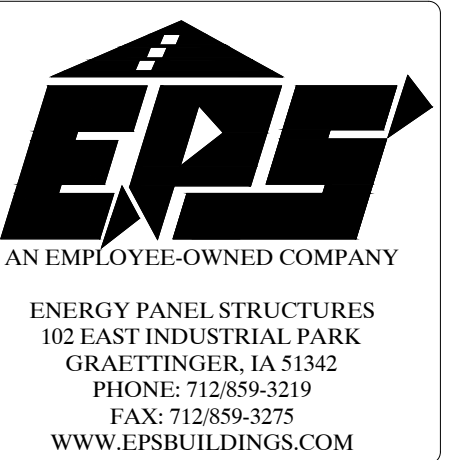
**GUN NAIL SUBSTITUTION**

HAND DRIVE	GUN NAIL
8d NAIL	.113"X2 1/2" HDG R.S.
8d GALVANIZED NAIL	.113"X2 1/2" HDG R.S.
16d NAIL	.131"X3 1/2" HDG R.S.
16d GALVANIZED NAIL	.131"X3 1/2" HDG R.S.
16d NAIL	.131"X3 1/2" R.S. BRTE
16d R.S.	.131"X3 1/2" R.S. BRTE
16d GALVANIZED	.131"X3 1/2" HDG R.S.

**BUILT-UP WOOD HEADER / BEAM FASTENING SCHEDULE**

DIMENSION LUMBER	FASTENERS	
	PLYS	DEPTH
2 PLY	2	D < 6"
	2	D > 6"
3 PLY	3	D < 6"
	3	D > 6"
LVL	2	D < 12"
	2	12" < D ≤ 18"
2 PLY	2	D > 18"
	3	D < 14"
3 PLY	3	14" < D ≤ 20"
	3	D > 20"
4 PLY	4	D ≤ 16"
	4	D > 16"

1) FOR 2 PLY MEMBERS ALL FASTENERS ARE TO BE INSTALLED FROM SAME SIDE  
 2) FOR 3 PLY MEMBERS SAME FASTENERS ARE INSTALLED @ EACH FACE, STAGGER LAYOUT / FASTENER SPACING FROM ONE FACE TO THE OTHER  
 3) FOR 4 PLY MEMBERS ALL FASTENERS ARE TO BE INSTALLED FROM SAME FACE



ENERGY PANEL STRUCTURES  
 102 EAST INDUSTRIAL PARK  
 GRAETTINGER, LA 51342  
 PHONE: 712-859-3219  
 FAX: 712-859-3275  
 WWW.EPSBUILDINGS.COM

PROJECT NUMBER:  
 2023/HOUSE/IA84080

CUSTOMER SERVICE:  
 BRETT D

DRAWN BY:  
 MARK T.

REVIEWED BY:  
 DAVE M.

DATE:  
 01-05-23

REVISIONS:  
 3-24-23  
 6-19-23  
 -

Print Date: 6/19/2023

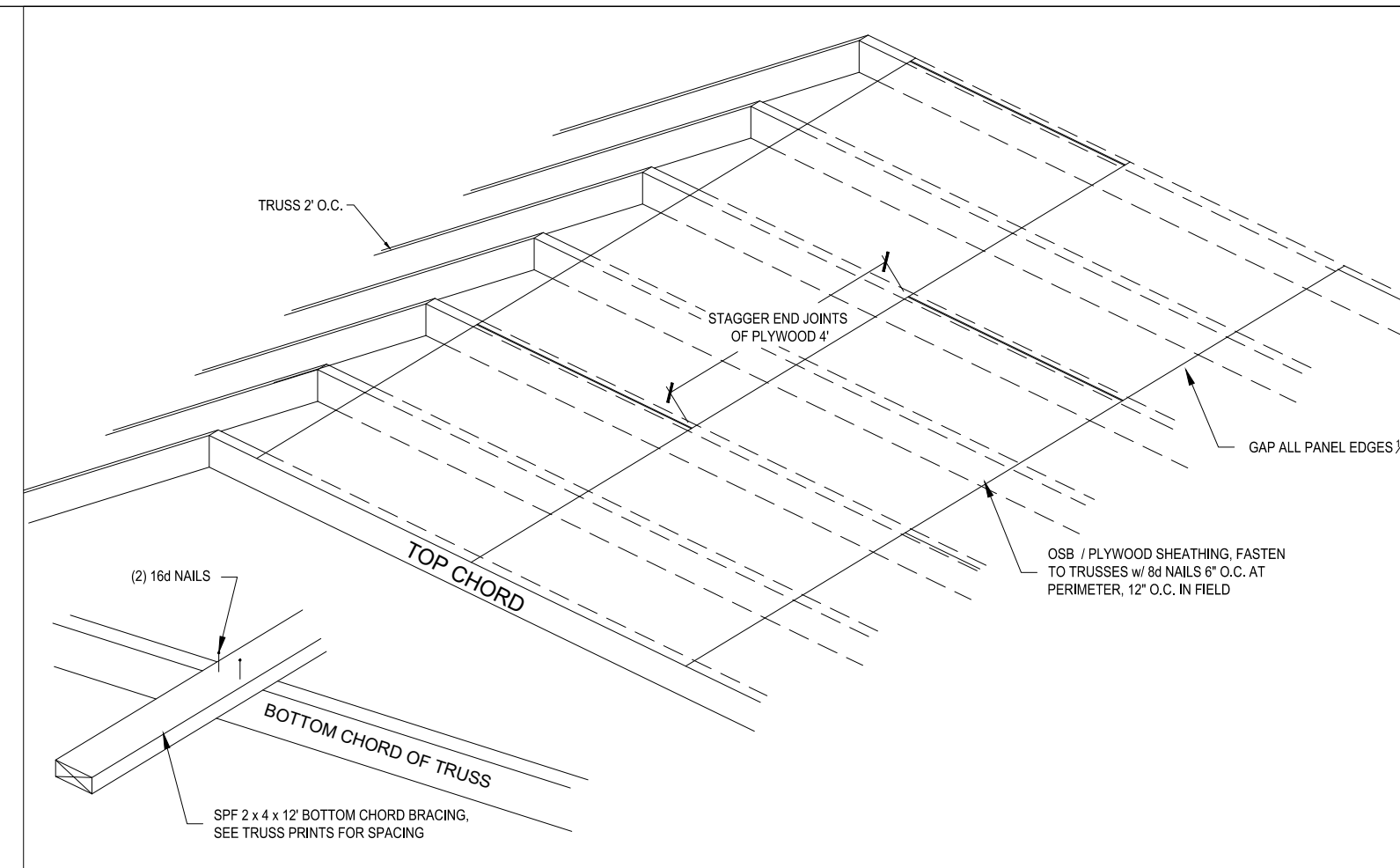
DEALER:  
 CROSS COUNTRY BUILDINGS

PROJECT TITLE:  
 YAHMAGUCHI CABIN  
 SOLID CORE BUILDING PACKAGE

SHEET TITLE:  
**CONSTRUCTION  
 DETAILS**

PROJECT STATUS:  
 FINAL  
 DRAWINGS

SHEET:  
**S9.0**



1 - 2' O.C. ROOF TRUSSES ROOF SHEATHING CONNECTION

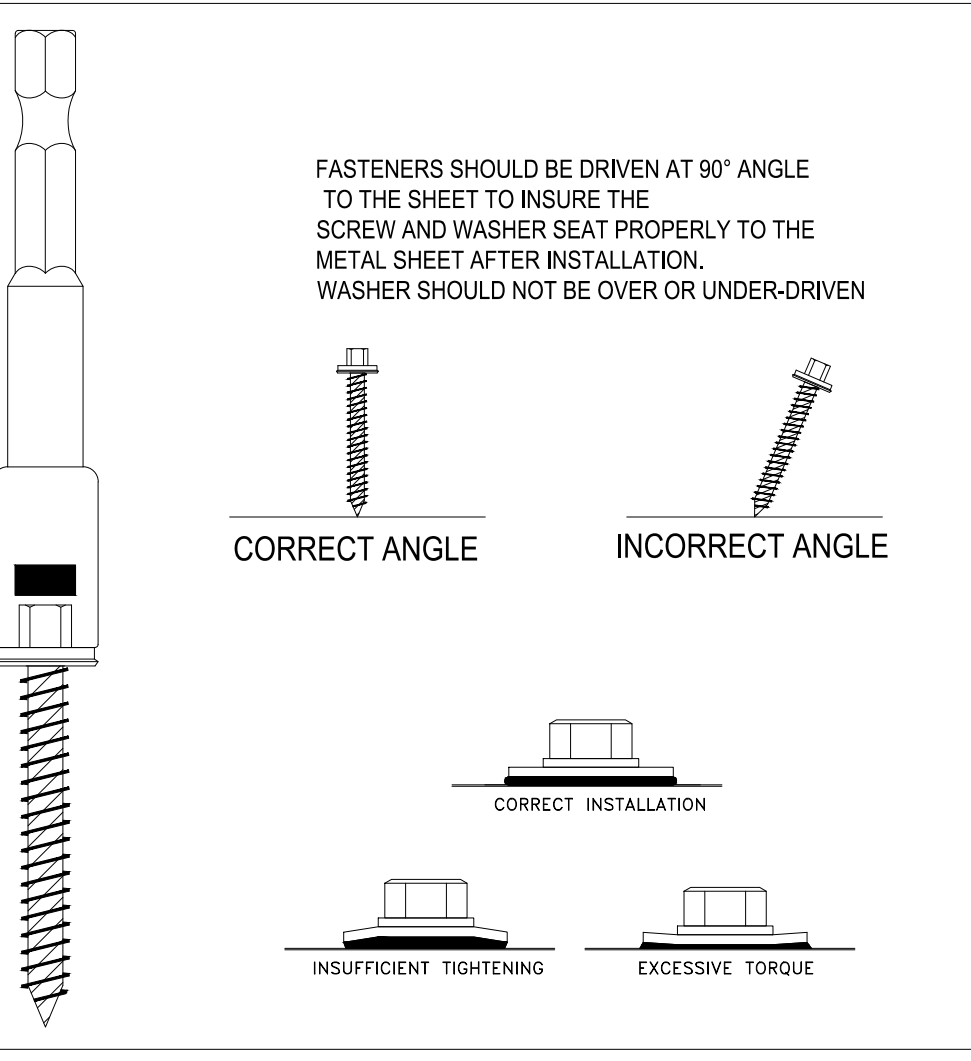
**ROOF SHEATHING**

- ROOF SHEATHING SHALL BE APA-RATED SHEATHING STRUCTURAL PANEL. SEE SECTION FOR THICKNESS AND TYPE. EACH PANEL SHALL BE IDENTIFIED WITH THE GRADE TRADEMARK OF THE APA-ENGINEERED WOOD ASSOCIATION AND SHALL MEET THE REQUIREMENTS OF THE PRODUCT STANDARD. APPLICATION AND NAILING OF STRUCTURAL PANELS SHALL BE IN ACCORDANCE WITH THE RECOMMENDATIONS OF THE APA-ENGINEERED WOOD ASSOCIATION UNLESS REQUIREMENTS NOTED ON THESE CONTRACT DRAWINGS ARE MORE RESTRICTIVE. HCLIPS SHALL BE USED TO SUPPORT EDGES OF THE PLYWOOD SHEATHING BETWEEN TRUSSES, UNLESS BLOCKING IS OTHERWISE REQUIRED OR PROVIDED.
- PANELS SHALL BE ORIENTED WITH THE FACE GRAIN PERPENDICULAR TO THE TRUSS SUPPORTS AND PANEL JOINTS SHALL BE STAGGERED.
- GAP ALL PANEL EDGES 1/2"
- PROVIDE 2x BLOCKING AT RIDGE OF TRUSSES EACH SIDE OF RIDGE VENT
- MINIMUM ROOF DIAPHRAGM NAILING SHALL BE AS FOLLOWS:
  - 11/32"x2 1/2" P.S. GUN NAILS UNLESS NOTED OTHERWISE.
  - NAIL PANEL EDGES TO EAVE AND RIDGE BLOCKING AT 6" O.C.
  - NAIL PANEL EDGES TO TRUSSES OR SUPPORTS AT 12" O.C.
  - NAIL PANEL TO INTERMEDIATE TRUSSES OR SUPPORTS AT 12" O.C.
- SHEATHING PANEL SHALL NOT BE LESS THAN 4x8 EXCEPT AT BOUNDARIES AND CHANGES IN FRAMING WHERE THE MINIMAL PANEL DIMENSIONS SHALL BE 2x1 UNLESS ALL EDGES OF THE UNDERSHEATHED PANELS ARE SUPPORTED BY MINIMUM 2x FRAMING MEMBERS OR SUPPLEMENTAL BLOCKING.

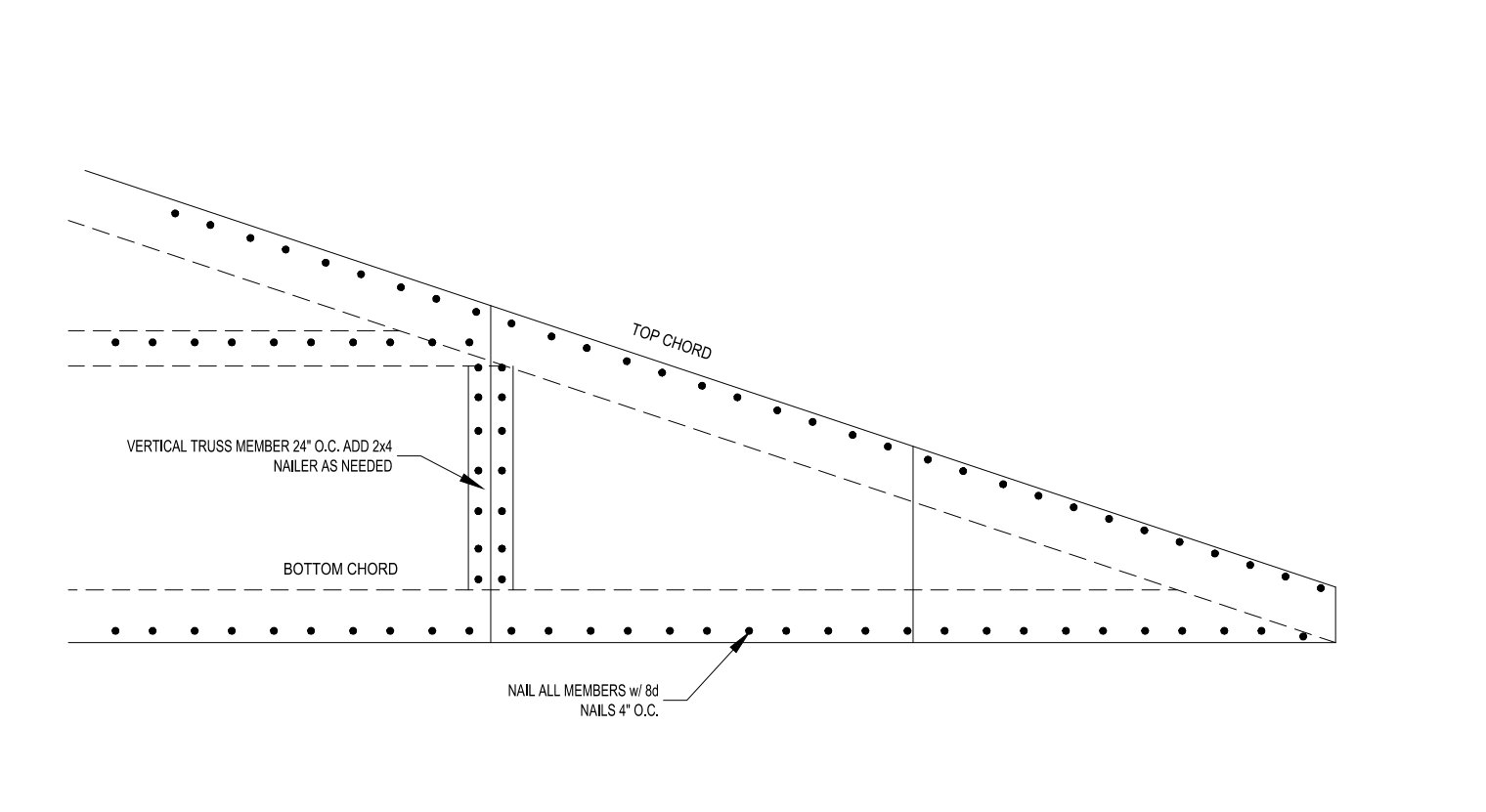
**TYPE OF FASTENER**  
DUAL GRIP & DUAL GRIP SLT POST FRAME SCREWS

**TOOL SELECTION**  
AN ELECTRIC BATTERY TYPE SCREW-GUN WITH A VARIABLE SPEED OF 6-2000 RPM INCORPORATING A CLUTCH OR DEPTH SETTING FEATURE IS THE SUGGESTED TOOL. IMPACT TYPE TOOLS/GUNS ARE NOT RECOMMENDED AND WILL DAMAGE SCREW FINISH DURING INSTALLATION.

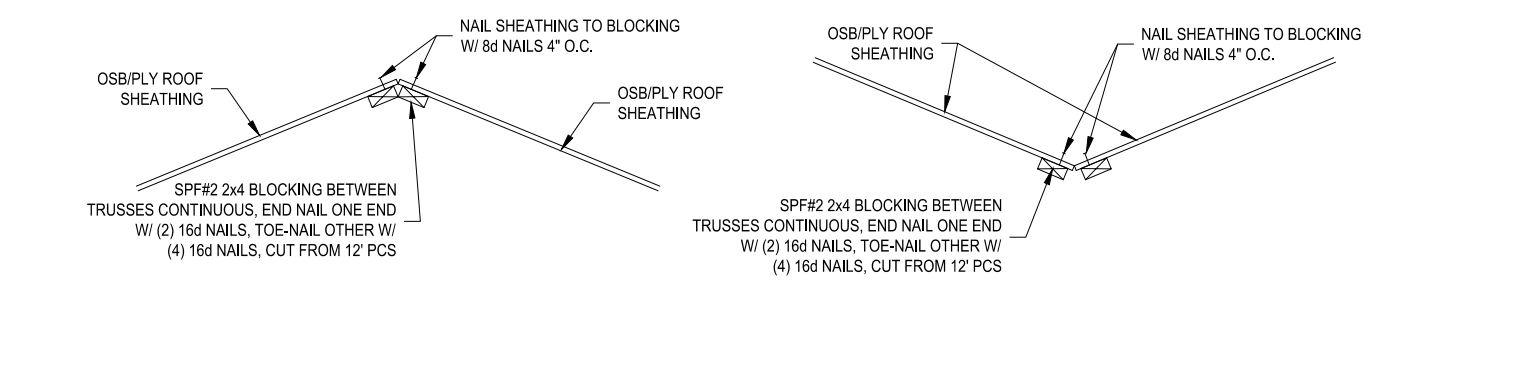
**DRIVER SELECTION**  
USE A GOOD QUALITY, PROPERLY SIZED NUT DRIVER IN THE TOOL. DRIVER MAY BE OF THE MAGNETIC OR NON-MAGNETIC TYPE. IF USING THE MAGNETIC TYPE, MAKE SURE THE MAGNET IS RECESSED ENOUGH SO THE SOCKET RESTS FIRMLY ON THE WASHER FACE OF THE SCREW. THE MAGNET CAN BE RECESSED FURTHER BY LIGHTLY HAMMERING A PUNCH ON TOP OF THE MAGNET TO DRIVE IT DEEPER INTO THE SOCKET. KEEP THE SOCKET FREE OF ALL DEBRIS, ESPECIALLY METAL FLINGS WHICH WILL EMBED INTO THE PAINT FINISH OF THE SCREW DURING INSTALLATION. TO REMOVE DEBRIS, USE SOFT PUTTY OR BUTYL CONTAINER TO MINIMIZE DIRT ACCUMULATING IN THE SOCKET PRIOR TO USE. RE-PLACE DRIVERS REGULARLY TO ENSURE A GOOD FIT AND MINIMIZE DAMAGE CAUSED BY A WORN DRIVER.



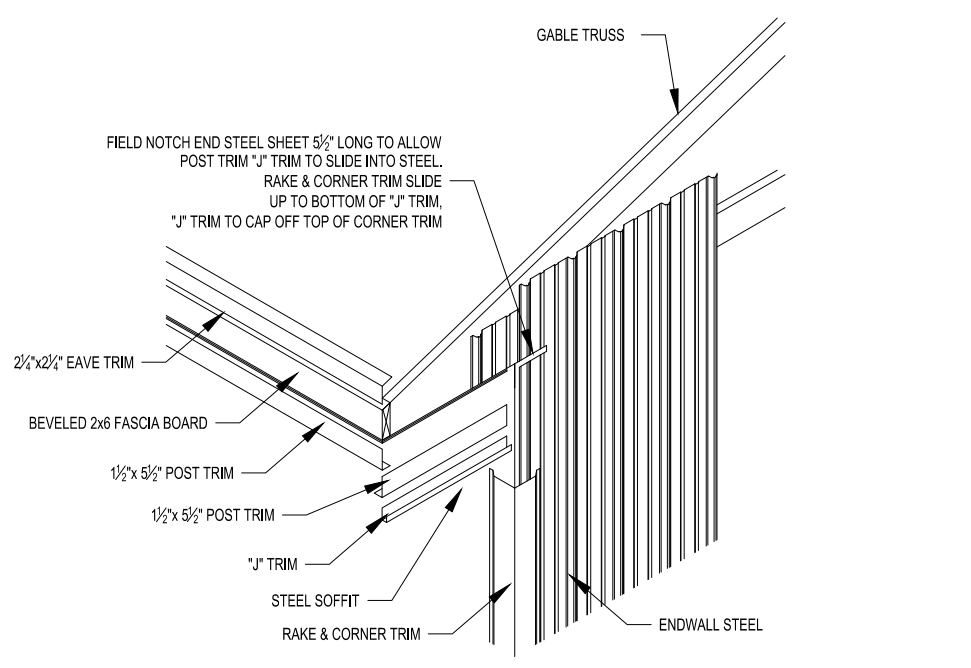
5 - ROOF SCREW INSTALLATION



2 - GABLE END SHEATHING FASTENING



3 - PLYWOOD DECK ROOF HIP & VALLEY BLOCKING DETAILS

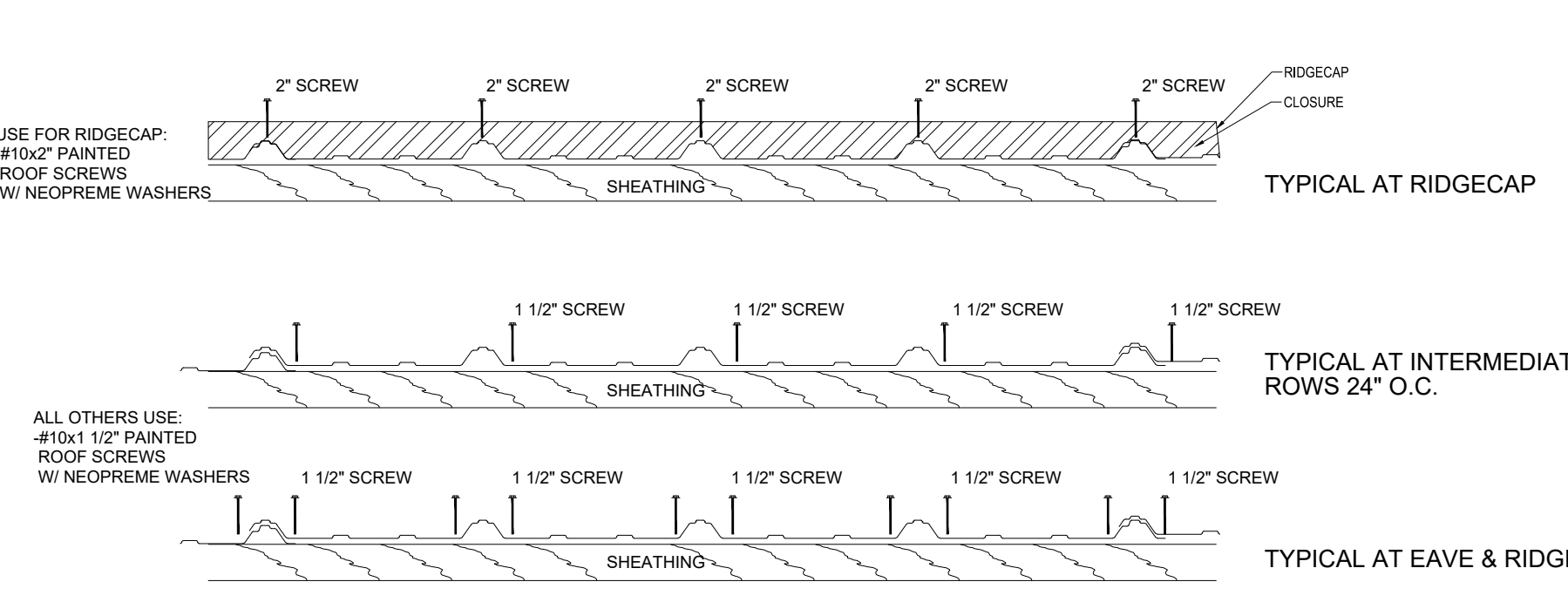


6 - EAVE TRIM DETAIL

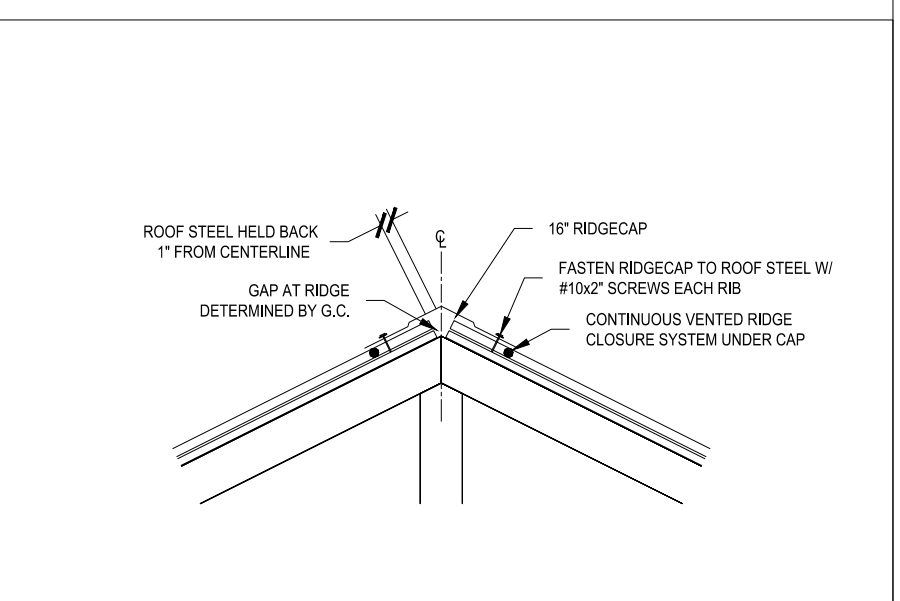
**ROOF TRUSS FASTENING SCHEDULE**

COMPONENTS	TYPE OF FASTENER	FREQUENCY
TRUSS TO TOP PLATE	PER ROOF PLAN	PER HANGER SCHEDULE
FASCIA TO TRUSS	16x R.S.	(3) PER CONNECTION
TRUSS HEEL SHEATHING	8d NAILS	4" O.C. TO ALL MEMBERS
ROOF SHEATHING	8d NAILS	6" O.C. EDGES 12" O.C. CENTERS
GABLE END SHEATHING	8d NAILS	4" O.C.
BOTTOM CHORD BRACING LATERAL BRACING DIAGONAL BRACING	16x CC SINKER	(2) PER CONNECTION
K-BRACING	SIMPSON LUSIS TECO NAILS	(4) PER X-BRACE
OUTLOOKER	SIMPSON HT (3) 16d	ALL OUTLOOKERS

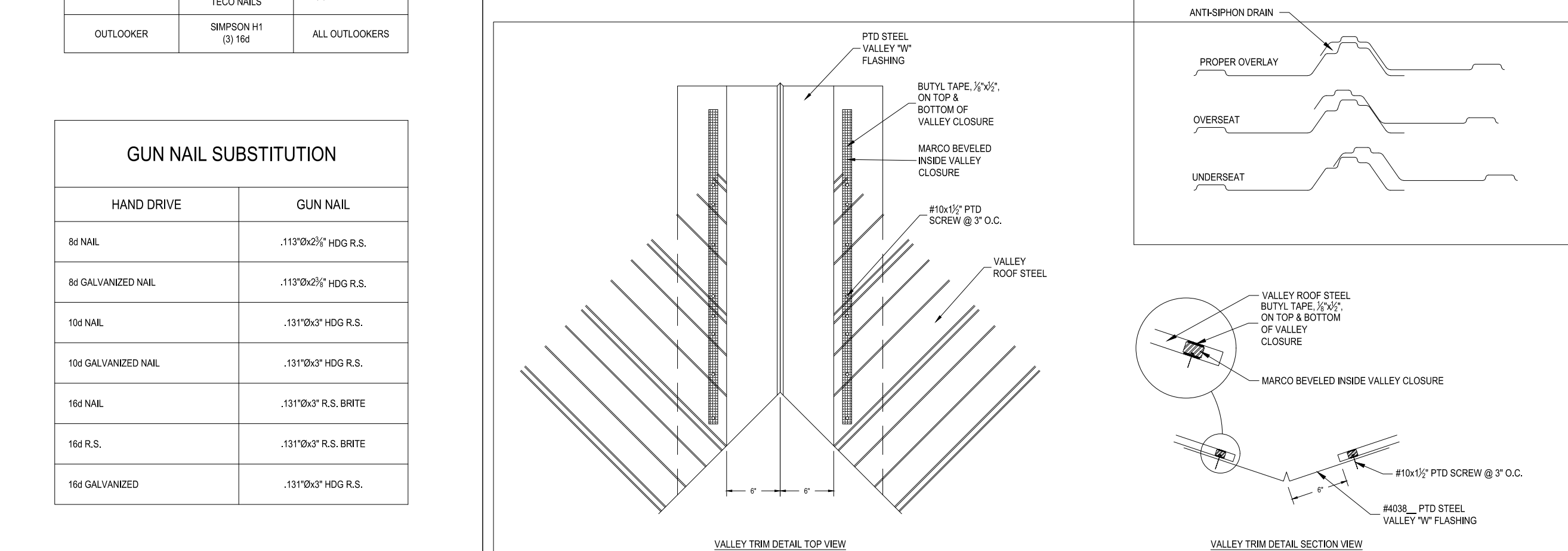
4 - FASTENING SCHEDULE



7 - ROOFSTEEL FASTENING



9 - ROOFSTEEL RIDGE DETAIL



8 - ROOFSTEEL VALLEY DETAIL

**GUN NAIL SUBSTITUTION**

HAND DRIVE	GUN NAIL
8d NAIL	.113\"/>



ENERGY PANEL STRUCTURES  
102 EAST INDUSTRIAL PARK  
GRAETTINGER, LA 51342  
PHONE: 712-859-3219  
FAX: 712-859-3275  
WWW.EPSBUILDINGS.COM

PROJECT NUMBER:  
2023/HOUSE/IA84080

CUSTOMER SERVICE:  
BRETT D

DRAWN BY:  
MARK T.

REVIEWED BY:  
DAVE M.

DATE:  
01-05-23

REVISIONS:  
3-24-23  
6-19-23  
-

Print Date: 6/19/2023

DEALER:  
CROSS COUNTRY BUILDINGS

PROJECT TITLE:  
YAHMAGUCHI CABIN  
SOLID CORE BUILDING PACKAGE

SHEET TITLE:  
**CONSTRUCTION  
DETAILS**

PROJECT STATUS:  
FINAL DRAWINGS

SHEET:  
**S9.1**