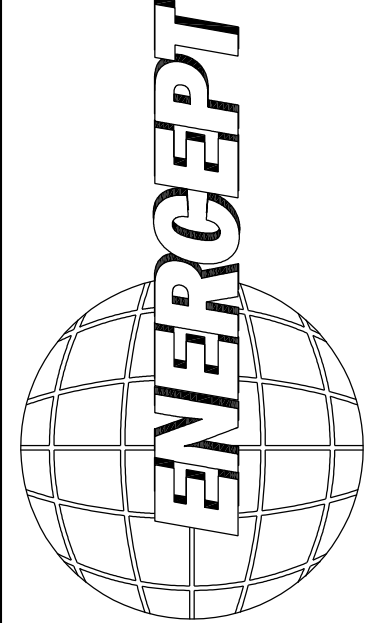
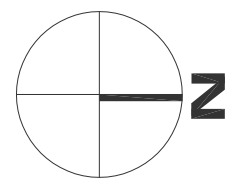




PAGE ROTATED TO FIT ON PAGE
WEST SIDE (MAPLE STREET)



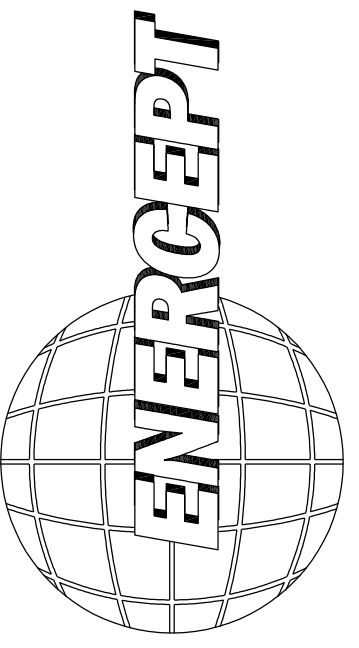
ENERCEPT, INC.
 3100 9th AVE SE
 WATERTOWN, SD 57201
 PHONE: (605) 882-2222
 FAX: (605) 882-2753
 www.enercept.com

REVISIONS:
 REV:A (SMW) 06/15/19 MADE CHANGES, PER THE REDLINED DRAWINGS SENT IN MY TONY ON 06/14

REV:B (SMW) 06/17/19 CHANGED THE NORTH BAY TO BE 1" BIGGER AND ADDED DETAILS

GOSS OPERA HOUSE
 BUILDER INFORMATION:
 SEND DRAWINGS TO:
 WATERTOWN, SD 57201
ENLARGED LAYOUT

SCALE:
 N.T.S.
 DRAWN BY:
 SMW
 DATE:
 04/23/19
 PROJECT NUMBER:
 72939
 SHEET:
 2 OF 3

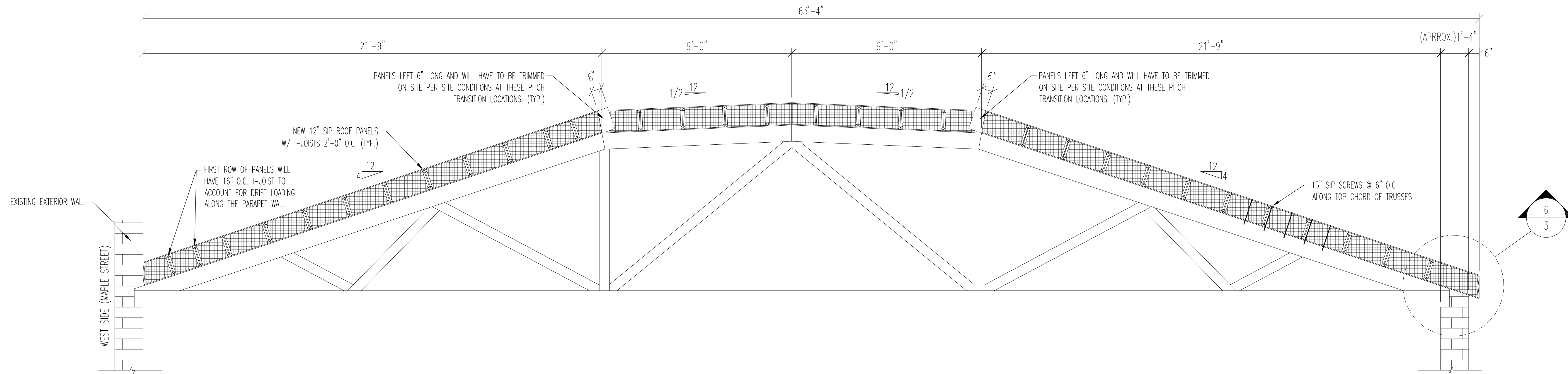


ENERCEPT, INC.

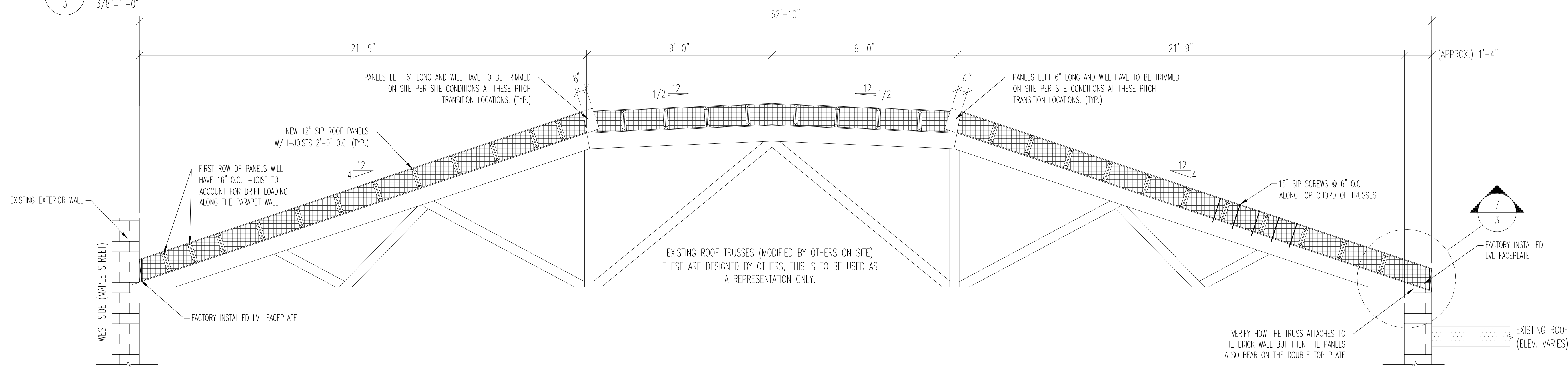
3100 9th AVE SE
WATERTOWN, SD 57201
PHONE: (605) 882-2222
FAX: (605) 882-2753
www.enercept.com

REVISIONS:
REV:A (SMW) 06/15/19 MADE CHANGES, PER THE REDLINED DRAWINGS SENT IN MY TONY ON 06/14

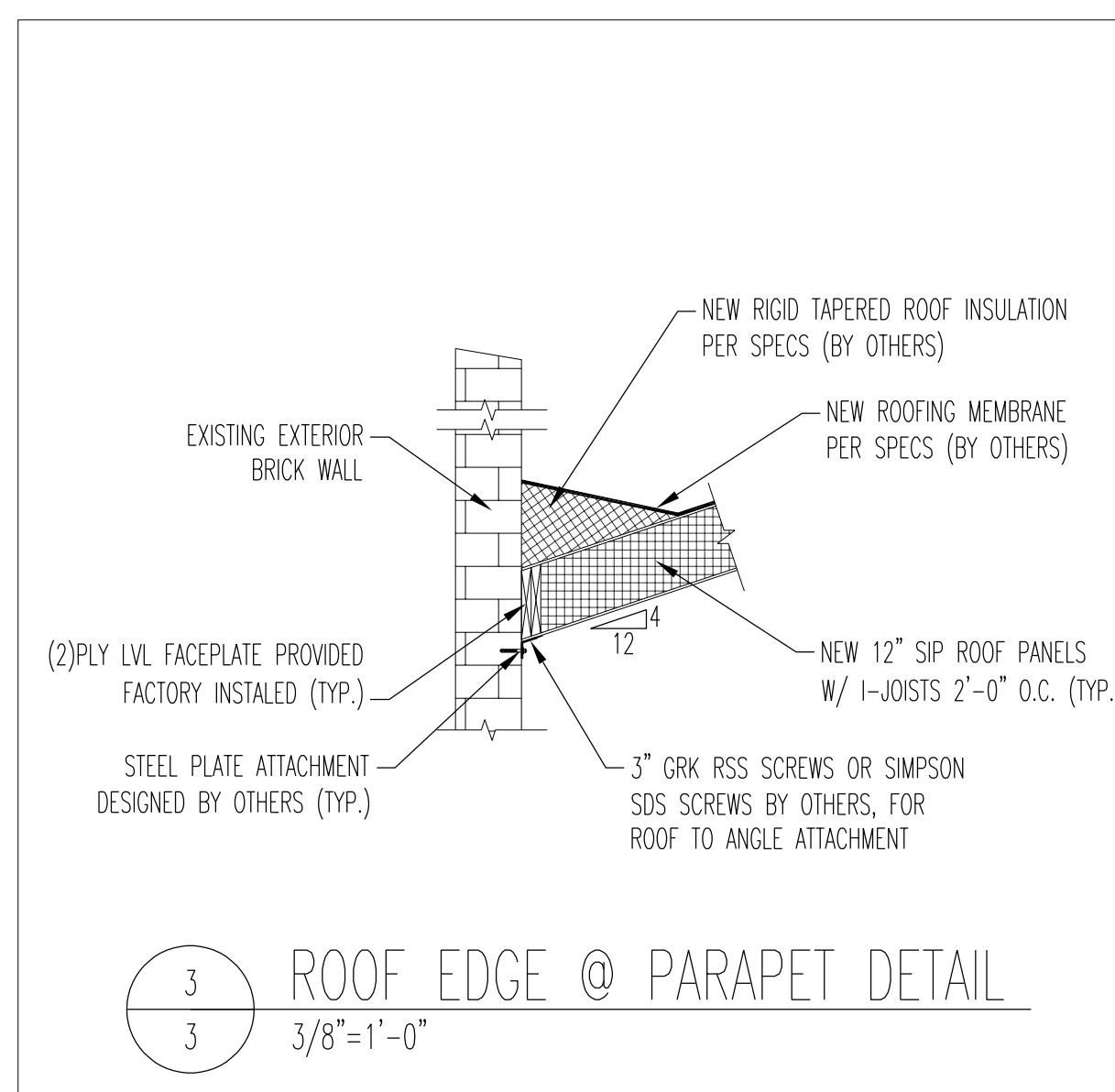
REV:B (SMW) 06/17/19 CHANGED THE NORTH BAY TO BE 1" BIGGER AND ADDED DETAILS



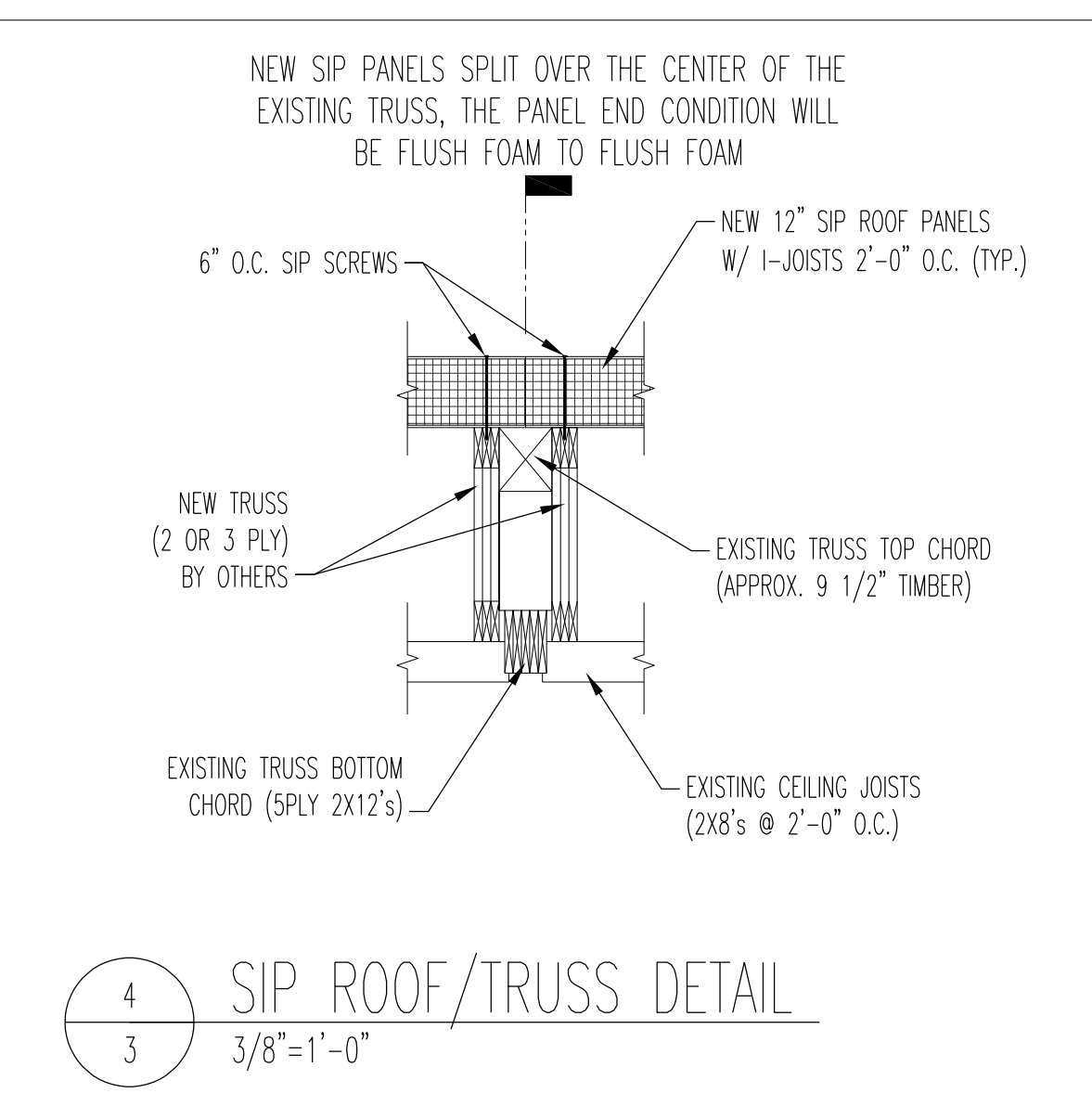
1 BUILDING ROOF SECTION
3/8"=1'-0"



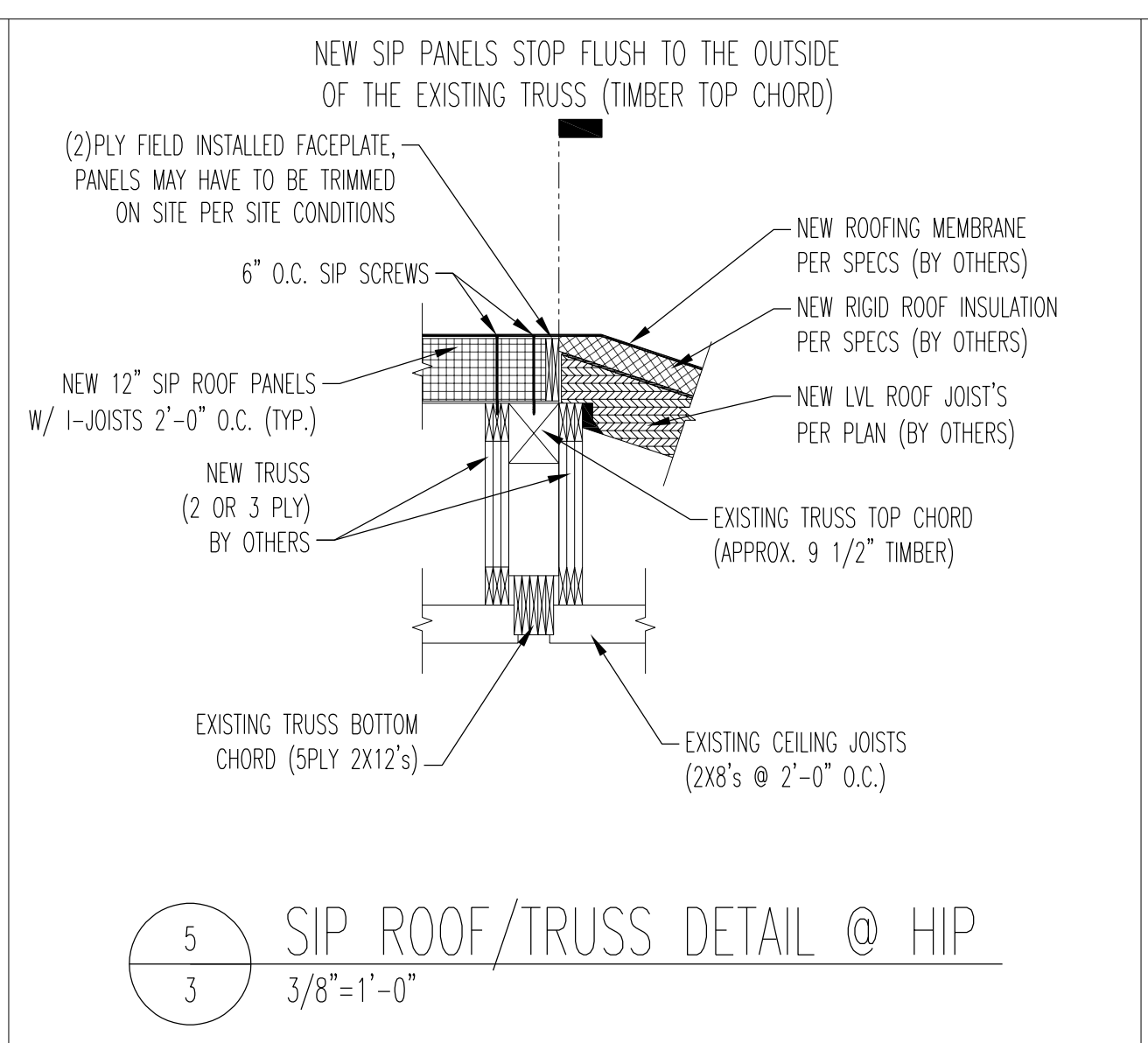
2 BUILDING ROOF SECTION
3/8"=1'-0"



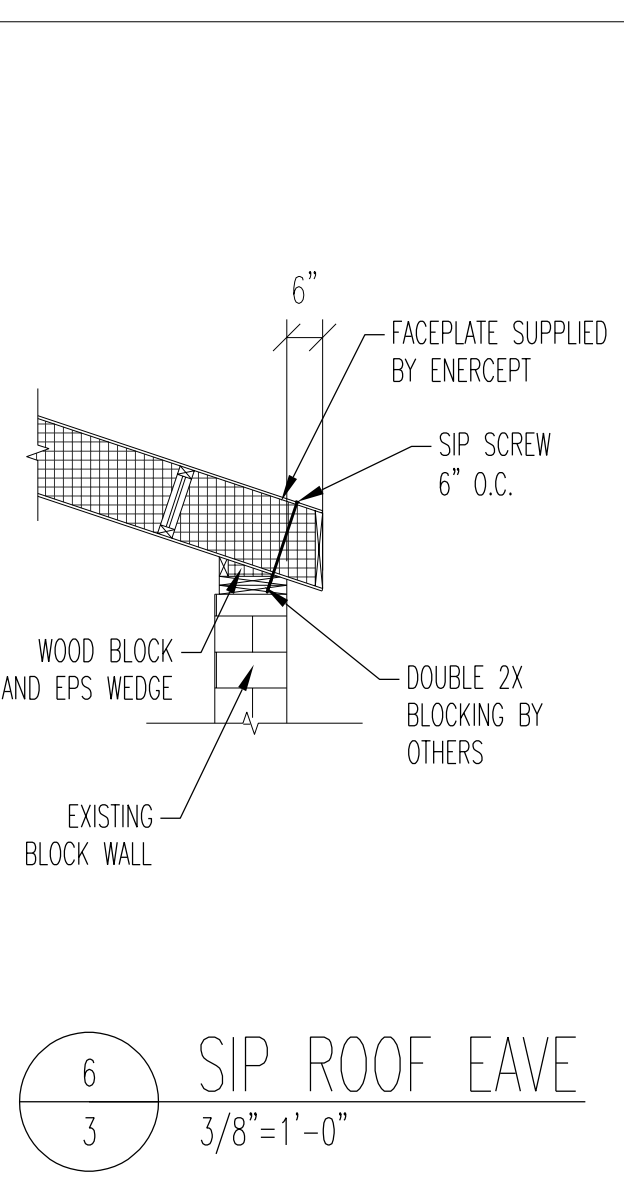
3 ROOF EDGE @ PARAPET DETAIL
3/8"=1'-0"



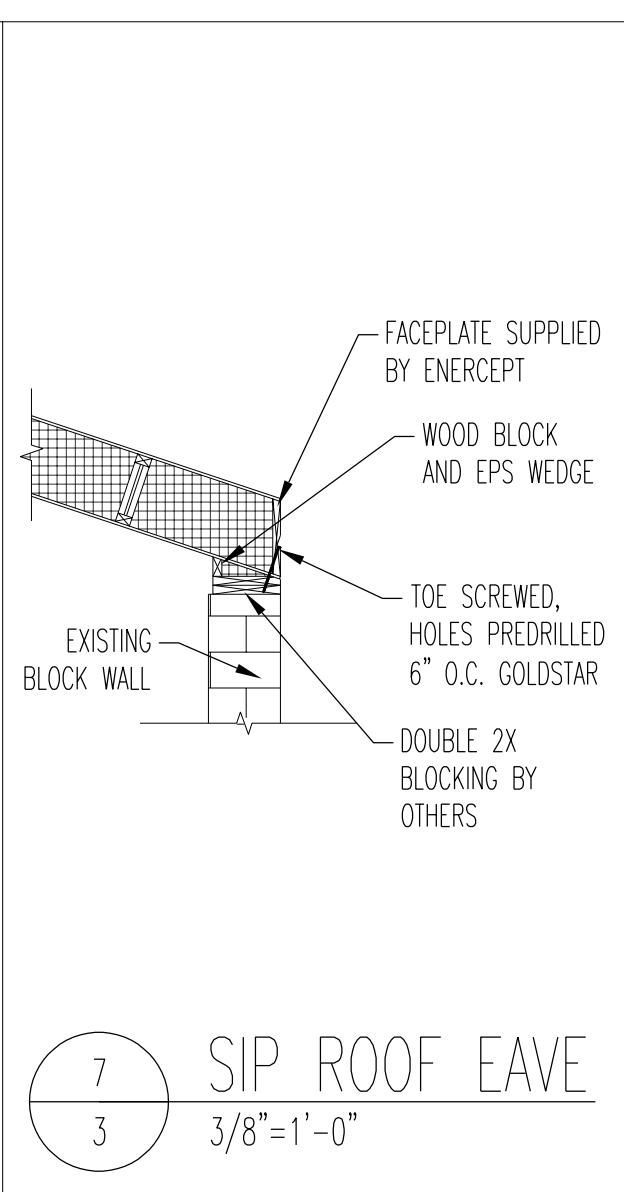
4 SIP ROOF/TRUSS DETAIL
3/8"=1'-0"



5 SIP ROOF/TRUSS DETAIL @ HIP
3/8"=1'-0"



6 SIP ROOF EAVE
3/8"=1'-0"



7 SIP ROOF EAVE
3/8"=1'-0"

SPRINKLER SYSTEM NOTES:
SPRINKLER HANGERS MAYBE ATTACHED TO THE SIP PANELS WITH THE FOLLOWING LIMITATIONS:
1. LOAD PER HANGER MUST NOT EXCEED 100#
2. HANGERS MUST BE LOCATED AT 1-JOIST LOCATIONS
3. ONLY (1) HANGER PER 1-JOIST

SEAM TAPE NOTES:
4" SEAM TAPE IS APPLIED AT THE PANEL TO PANEL ROOF SEAMS AFTER THE PANELS ARE UP.
6" SEAM TAPE IS APPLIED TO THE RIDGE SEAM AND THE MITER SEAMS WHERE THE PITCH CHANGES. THIS RUNS FROM TRUSS TO TRUSS
"ICE AND WATER SHIELD" IS DRAPED OVER EACH TRUSS AND STUCK TO THE UNDER SIDE OF THE PANELS ONCE THE PANELS ARE IN PLACE. *MAKE SURE TO DRAPE OVER TRUSSES FIRST!!*

GOSS OPERA HOUSE

BUILDER INFORMATION:

SEND DRAWINGS TO:
WATERTOWN, SD 57201

CROSS SECTIONS AND DETAILS

SCALE:
3/8"=1'-0"
DRAWN BY:
SMW
DATE:
04/23/19
PROJECT NUMBER:
72939
SHEET:
3 OF 3